



BLACK-OPS SERIES

BRONCO

FRONT BUMPER SKID PLATE



VERIFY YOU HAVE ALL THE COMPONENTS BEFORE STARTING THE INSTALLATION. REFER TO THE ENGINEERING DRAWINGS AT THE END OF THIS DOCUMENT FOR A COMPLETE PARTS LIST

****Special Note****

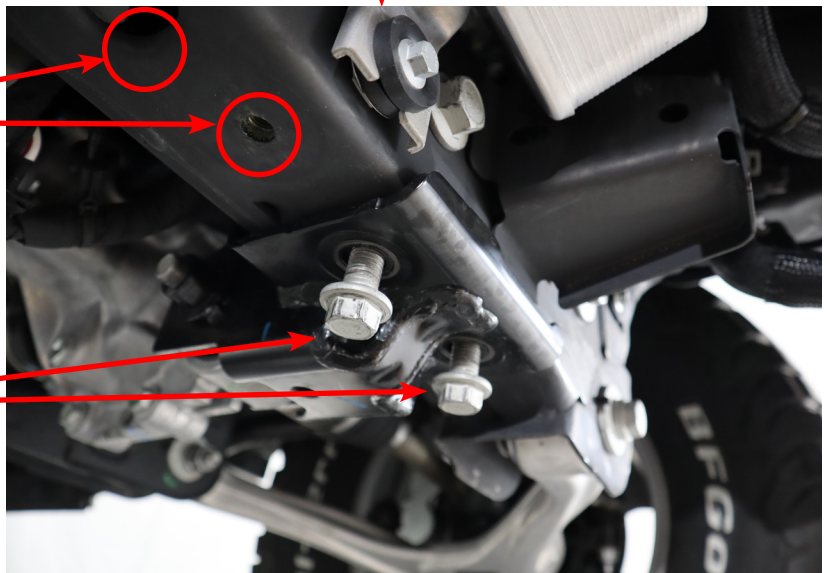
If you also purchased the LOD Front Differential Skid Plate, you will want to install it before installing your Front Bumper Skid plate.

Once you have completed the installation of your new LOD Front Bumper, you can now install your new Front Bumper Skid Plate.



You will need the two black bolts that were used to hold your stock front air dam or skid plate located here.

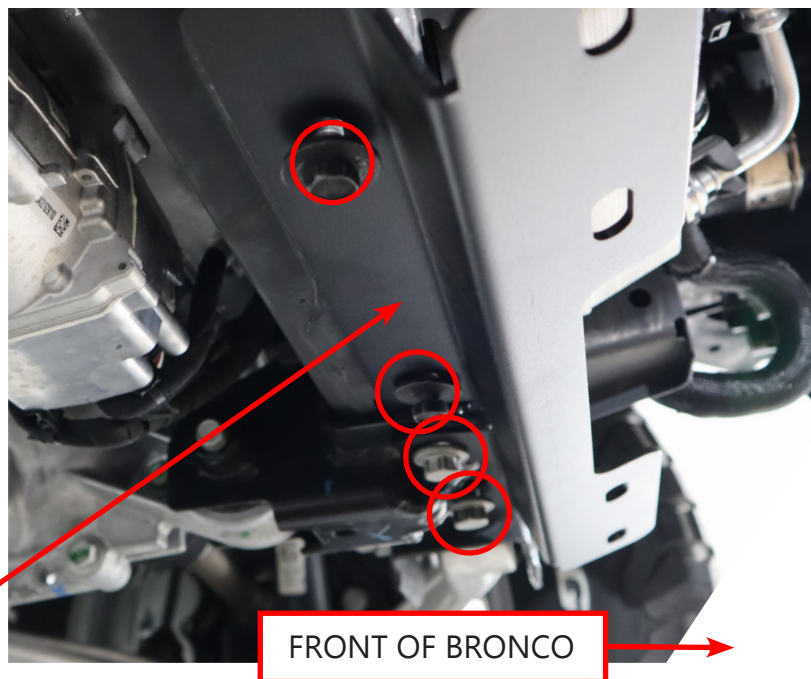
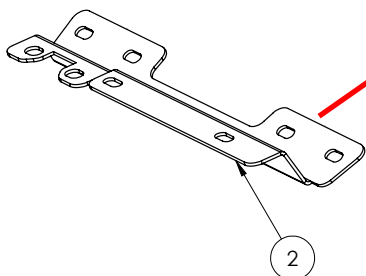
You will also need to remove the two larger differential frame bolts located here.



Skip this step if you are also installing the LOD Front Differential Skid Plate. You will not need this Lower Front Skid Mount Bracket because your Front Skid Plate will mount directly to the LOD Differential Skid Plate.

Install the Lower Front Skid Mount in the location shown. Use the two black bolts from your stock air dam and the two larger differential frame bolts.

Start by loosely installing all four bolts. Then tighten securely.



FRONT OF BRONCO

Next you will need to remove your stock recovery brackets shown here.

These brackets also support the Inter-cooler and will be replaced with new support brackets included with your Front Skid Plate kit.



Only remove one bracket at a time so the Intercooler does not drop.

Be careful when removing these brackets so not to damage the rubber vibration isolator attached to the Intercooler mount.

Do not remove the rubber isolator, they will be used with the new mounts.

Mounting bolt locations

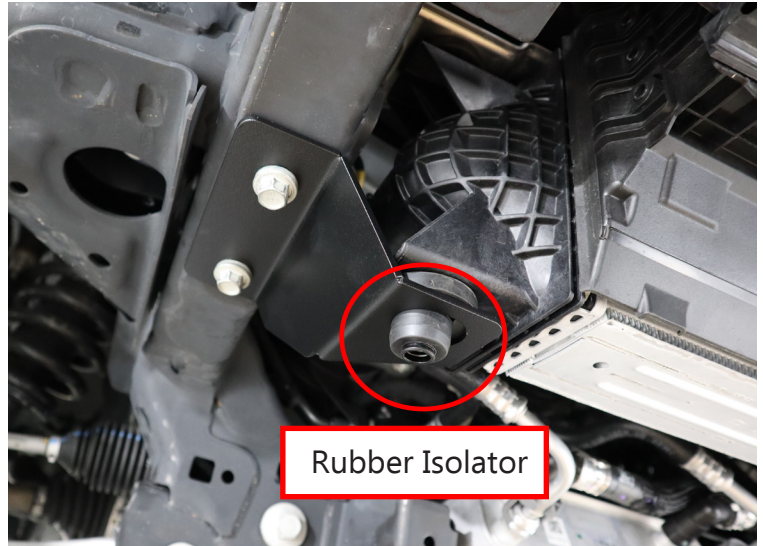
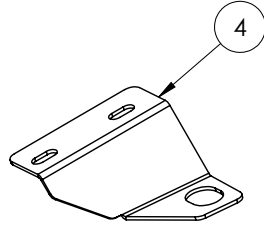


Rubber Isolator

Install the new Intercooler Mounting Bracket by reusing the stock Recovery Bracket mounting bolts.

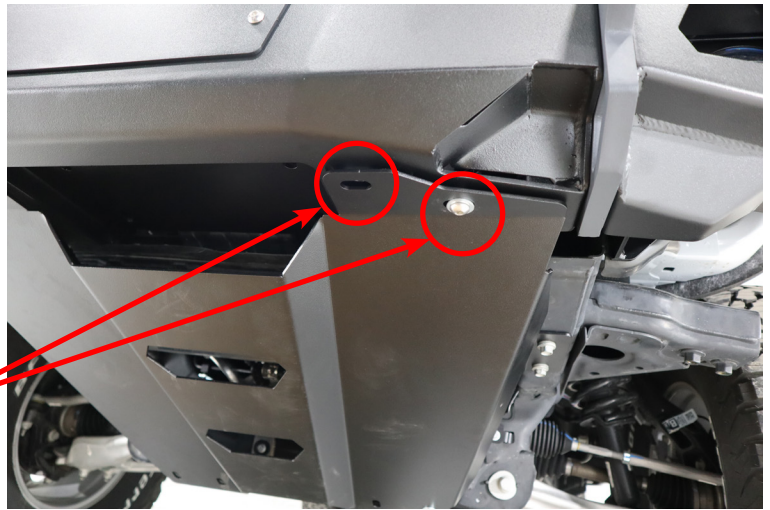
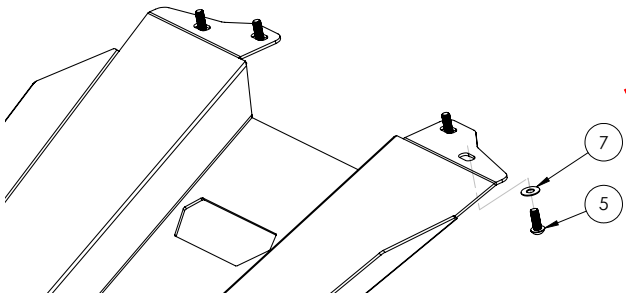
The driver and passenger side brackets are specific. Be sure to use the correct bracket on each side.

Loosely install the bracket as shown on both sides. Make sure the rubber isolator is seated properly and then tighten the bolts securely.

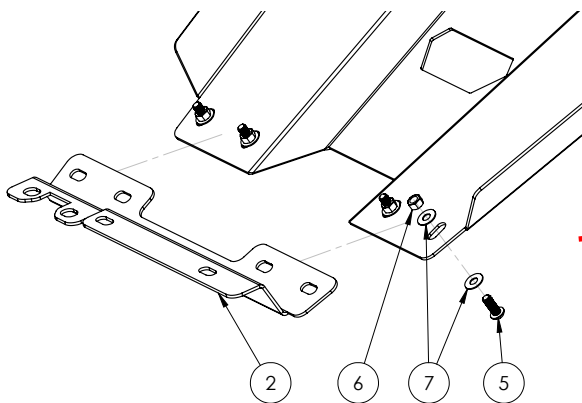


Now install the Front Skid Plate using the $\text{\O}3/8''$ Button Head Screws and Washers. Loosely install the four Button Head Screws into the bottom of the bumper.

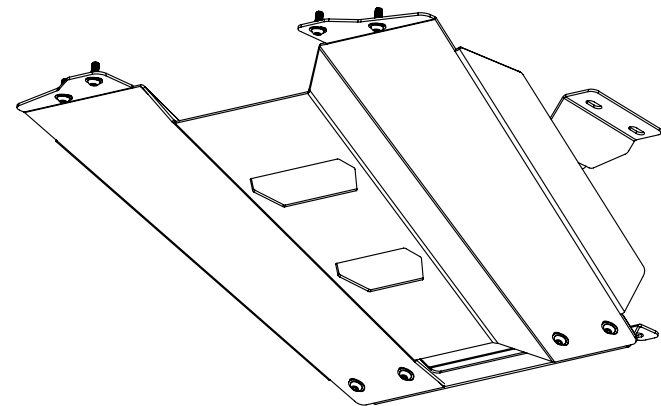
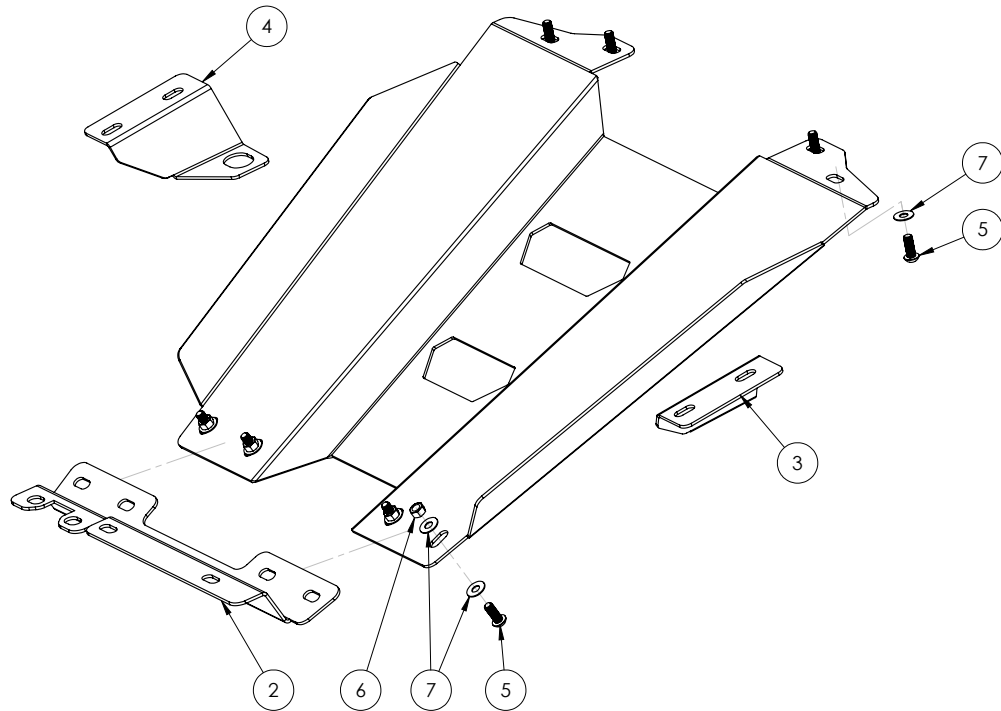
Be sure to have a helper to hold the skid plate while installing the hardware.




Install the $\text{\O}3/8''$ Button Head Screws, Washers and Nuts onto the Lower Front Skid Mount. Once all fasteners are installed, be sure to tighten every one securely.



| ITEM NO. | PART NUMBER | DESCRIPTION | QTY. |
|----------|---------------|---------------------------------------|------|
| 1 | 2BSP2021-01 | BRONCO FRONT BUMPER SKID PLATE | 1 |
| 2 | 2BSP2021-02 | BRONCO LOWER FRONT SKID MOUNT | 1 |
| 3 | 2BSP2021-03 | BRONCO INTERCOOLER BRACKET - PS | 1 |
| 4 | 2BSP2021-04 | BRONCO INTERCOOLER BRACKET - DS | 1 |
| 5 | BHSCS381616ZP | BHSCS 3/8-16 X 1.00 ZINC PLATE | 8 |
| 6 | HN3816ZPGR5 | HEX NUT 3/8-16 ZINC PLATE GR5 | 4 |
| 7 | FW3114ZP | FLAT WASHER Ø5/16" X .875" ZINC PLATE | 12 |



- NOTES:**
1. BSP2100 = BARE STEEL OPTION
 2. BSP2101 = BLACK POWDER COAT
 3. WEIGHT = APPROX 30 LBS

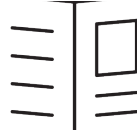
| | | | | |
|---|--|-----------|------------|---|
| UNLESS OTHERWISE SPECIFIED: | | NAME | DATE |  |
| DIMENSIONS ARE IN INCHES TOLERANCES: ±0.010 ANGULAR: MACH ±1° TWO PLACE DECIMAL ±0.015 THREE PLACE DECIMAL ±0.005 | | MCH | 12/14/2021 | |
| PROPRIETARY AND CONFIDENTIAL THE INFORMATION CONTAINED IN THIS DRAWING IS THE SOLE PROPERTY OF LOD LLC. ANY REPRODUCTION IN PART OR AS A WHOLE WITHOUT THE WRITTEN PERMISSION OF LOD LLC IS PROHIBITED. | | DRAWN | | DESCRIPTION: BRONCO FRONT BUMPER SKID PLATE |
| | | CHECKED | | |
| | | ENG APPR. | | DWG. NO. BSP2100 BSP2101 |
| | | MFG APPR. | | |
| | | MATERIAL: | | REV A |
| | | FINISH: | | |
| | | SEE NOTES | | SCALE: 1:5 SHEET SIZE: B SHEET 1 OF 1 |
| | | ECO: | | |



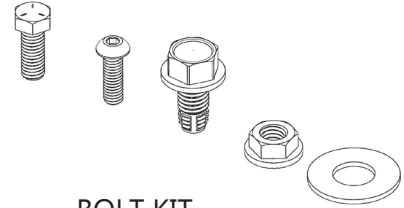
BRONCO
BLACK-OPS SERIES
 FRONT BUMPER SKID PLATE
 SHIPPING SHEET

Packaged by:

On:

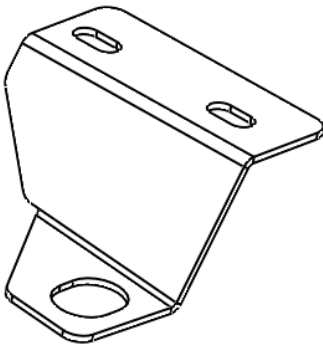


INSTRUCTION
SHEET

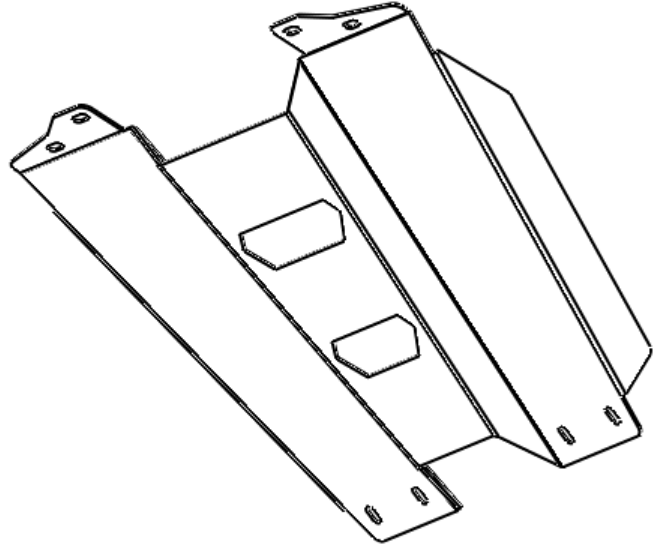


BOLT KIT
BSP2100-BK

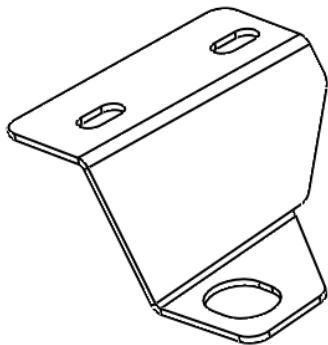
(x1)



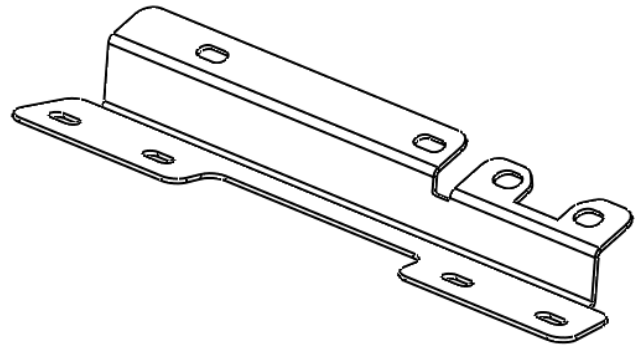
2021 BRONCO INTERCOOLER
BRACKET - DRIVER SIDE
2BSP2021-04
(x1)



2021 BRONCO FRONT
BUMPER SKID PLATE
2BSP2021-01
(x1)



2021 BRONCO INTERCOOLER
BRACKET - PASSENGER SIDE
2BSP2021-03
(x1)



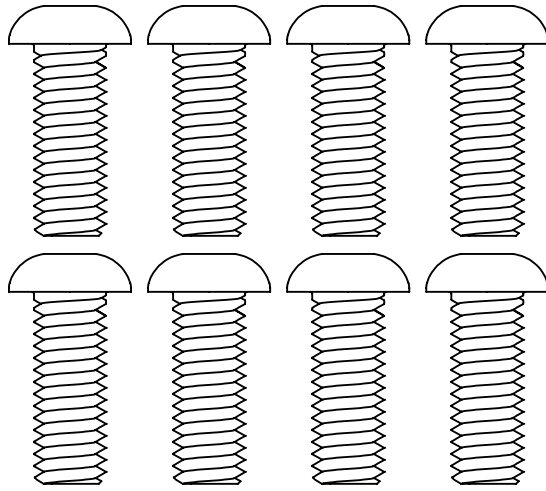
2021 BRONCO LOWER FRONT
BUMPER SKID PLATE MOUNT
2BSP2021-02
(x1)



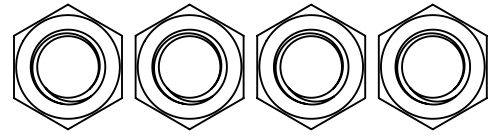


BRONCO
BLACK-OPS SERIES
FRONT BUMPER SKID PLATE
BSP2100-BK
Bolt Kit
Packaged by:

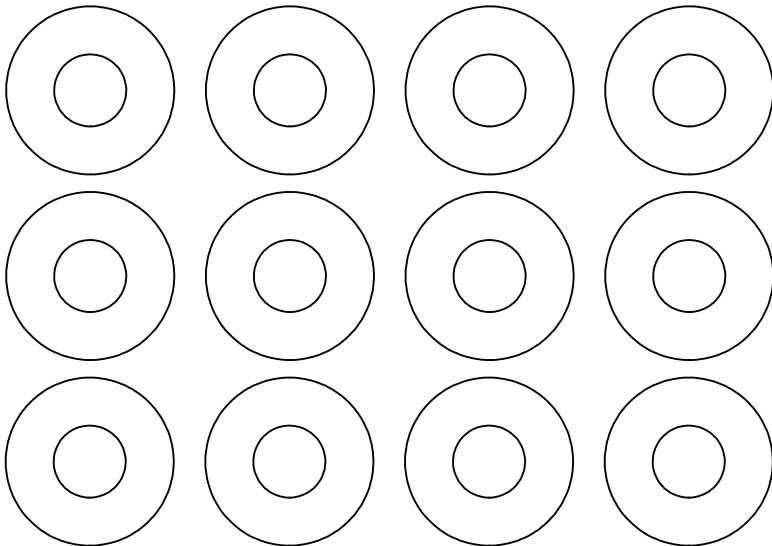
On:



BUTTON HEAD SCREW
3/8-16 X 1.00" LG
(94092)
(x8)



HEX NUT 3/8-16
(36306)
(x4)



FLAT WASHER
Ø5/16" X .875"
(0159678)
(x12)