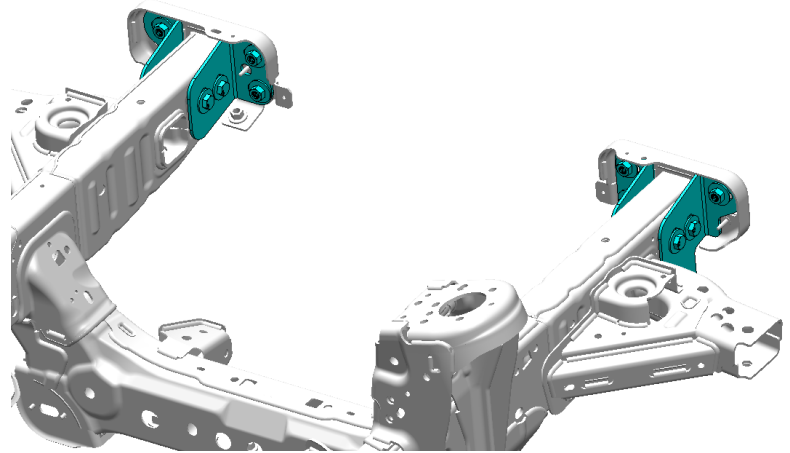




**BLACK-OPS SERIES**

**BRONCO**

BRONCO 2021  
FRONT BUMPER FRAME TIE  
IN BRACKETS

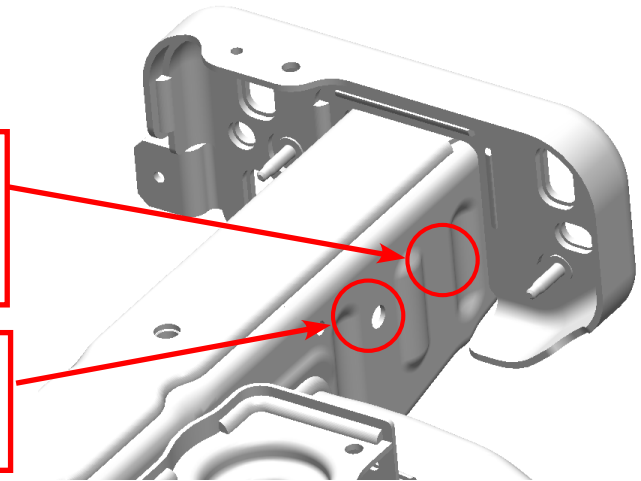


**\*VERIFY YOU HAVE ALL THE COMPONENTS BEFORE STARTING THE INSTALLATION. REFER TO THE ENGINEERING DRAWINGS AT THE END OF THIS DOCUMENT FOR A COMPLETE PARTS LIST\***

Start by removing the "U" shaped nut bracket located behind the frame face plate. This bracket was originally used to mount your bumper and is replaced by the individual M12 nuts and washers provided.

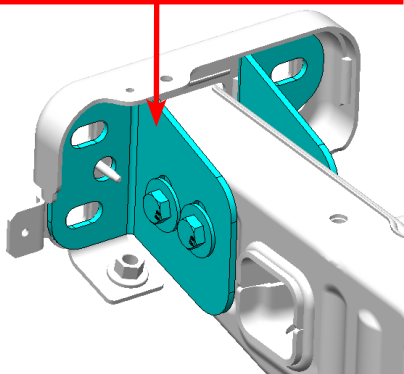
For additional support we recommend adding a  $\text{\O}1/2''$  hole in this location. Use the Frame Tie in Bracket as a template to mark the hole location and drill.

This hole is already in the correct location. However it will need to be enlarged. Use a  $\text{\O}1/2''$  drill bit to enlarge this hole.

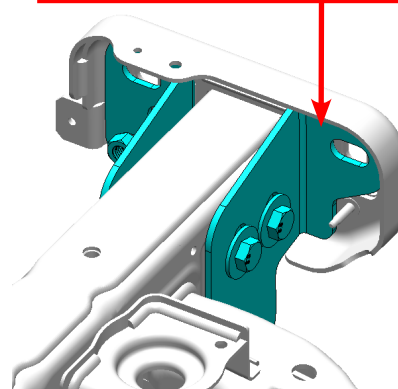


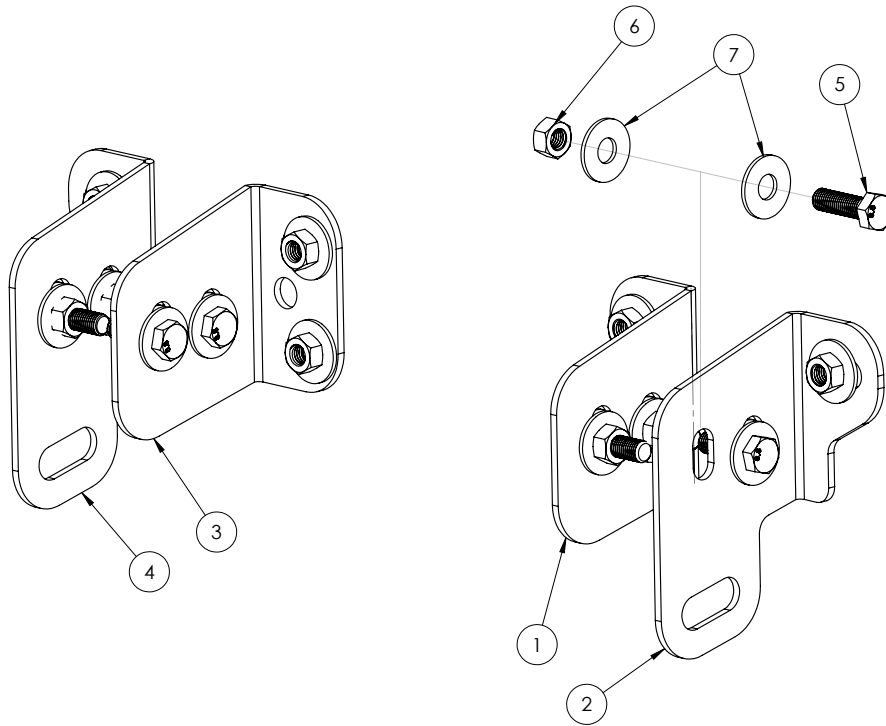
Repeat this procedure on both sides of both frame rails. Be sure to clean the areas and paint any raw metal to prevent rusting. Position the Frame Tie in Brackets as shown, making sure they are flush up against the back of the frame face plate. Tighten both mounting bolts on each Frame Tie in Bracket and then proceed with your bumper installation.

Inner Frame Tie in Bracket



Outer Frame Tie in Bracket






ITEM NO.	PART NUMBER	DESCRIPTION	QTY.
1	2BFT2021-01	INNER FRAME TIE IN BRACKET - PS	1
2	2BFT2021-02	OUTER FRAME TIE IN BRACKET - PS	1
3	2BFT2021-03	INNER FRAME TIE IN BRACKET - DS	1
4	2BFT2021-04	OUTER FRAMAE TIE IN BRACKET - DS	1
5	HB12175M40ZPCL88	HEX BOLT M12-1.75 x 40mm ZINC PLATE CL8.8	8
6	HN12175MZPCL8	HEX NUT M12 X 1.75mm ZINC PLATE CL8	14
7	FW5022ZP	FLAT WASHER Ø1/2" X 1.375" ZINC PLATE	22

**NOTES:**

1. BFT2100 = BARE STEEL OPTION
2. BFT2101 = BLACK POWDER COAT
3. WEIGHT = APPROX 6.25 LBS

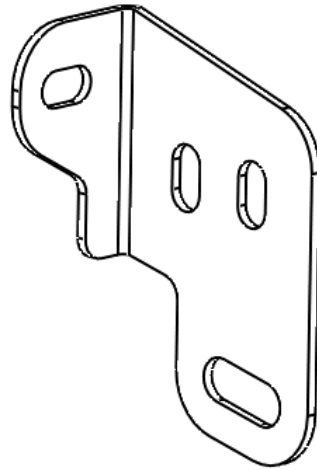
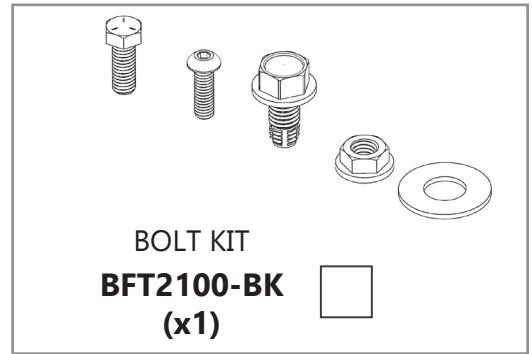
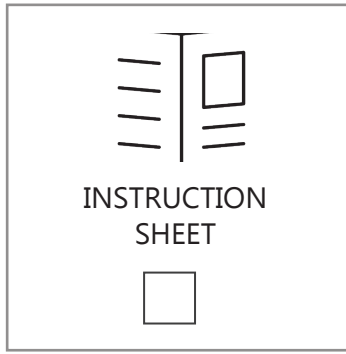
UNLESS OTHERWISE SPECIFIED:		NAME	DATE	LOD LLC.		
DIMENSIONS ARE IN INCHES		DRAWN	MCH			12/21/2021
TOLERANCES: ±0.010		CHECKED			DESCRIPTION: 2021 BRONCO FRONT FRAME TIE IN BRACKETS	
ANGULAR: MACH 1°		ENG APPR.				
TWO PLACE DECIMAL ±0.015		MFG APPR.				
THREE PLACE DECIMAL ±0.005					DWG. NO. BFT2100 BFT2101	
PROPRIETARY AND CONFIDENTIAL		MATERIAL:				REV A
THE INFORMATION CONTAINED IN THIS DRAWING IS THE SOLE PROPERTY OF LOD LLC. ANY REPRODUCTION IN PART OR AS A WHOLE WITHOUT THE WRITTEN PERMISSION OF LOD LLC IS PROHIBITED.		N/A				
		FINISH:				
		SEE NOTES				
		ECCO:			SCALE: 1:2.5	
					SHEET SIZE: B	
					SHEET 1 OF 1	



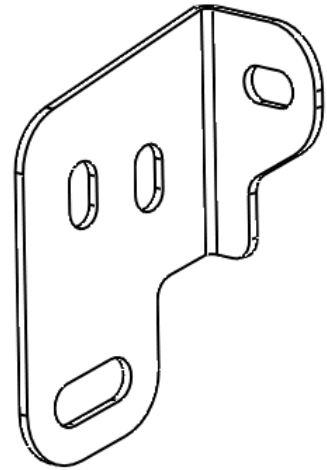
**BRONCO**  
**BLACK-OPS SERIES**  
 FRONT BUMPER FRAME TIE  
 IN BRACKETS  
 SHIPPING SHEET

Packaged by:

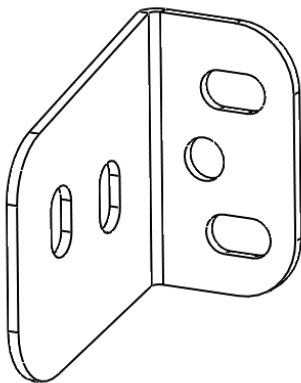
\_\_\_\_\_  
 On:  
 \_\_\_\_\_



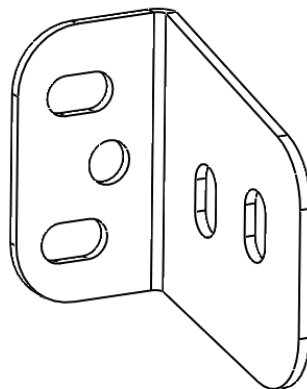
OUTER FRAME TIE IN  
BRACKET - DS  
2BFT2021-04   
(x1)



OUTER FRAME TIE IN  
BRACKET - PS  
2BFT2021-02   
(x1)



INNER FRAME TIE IN  
BRACKET - DS  
2BFT2021-03   
(x1)



INNER FRAME TIE IN  
BRACKET - PS  
2BFT2021-01   
(x1)



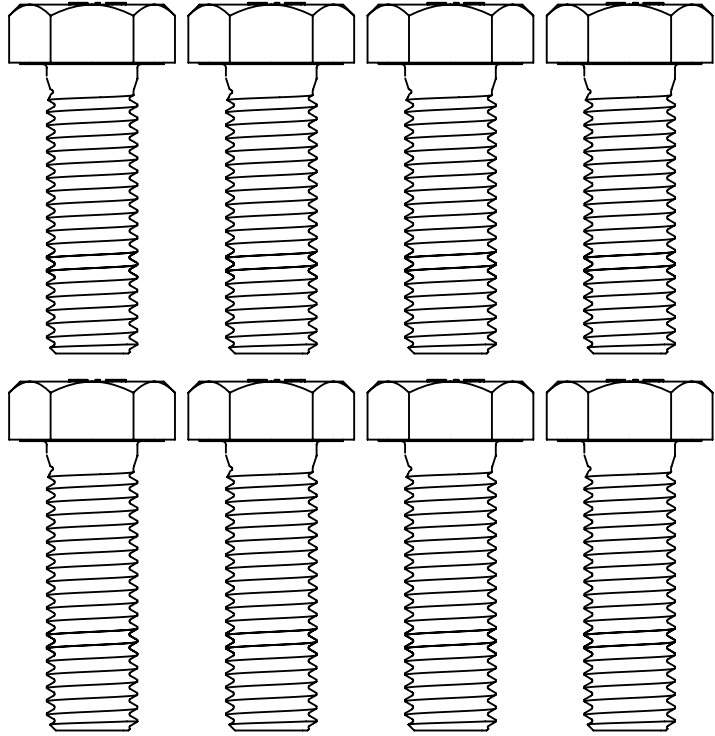
**BRONCO**  
**BLACK-OPS SERIES**  
FRONT BUMPER FRAME TIE  
IN BRACKETS

**BFT2100-BK**

Bolt Kit

Packaged by:

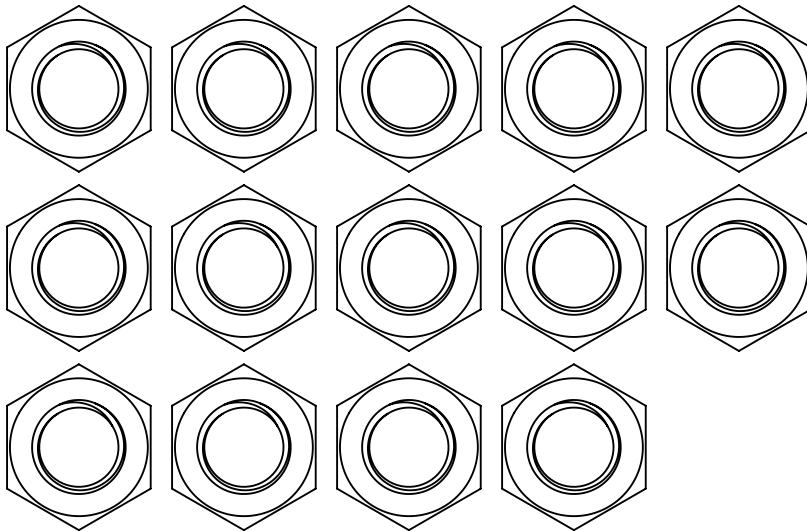
On:



HEX BOLT M12-1.75 X 40MM LG

(1138708)

**(x8)**

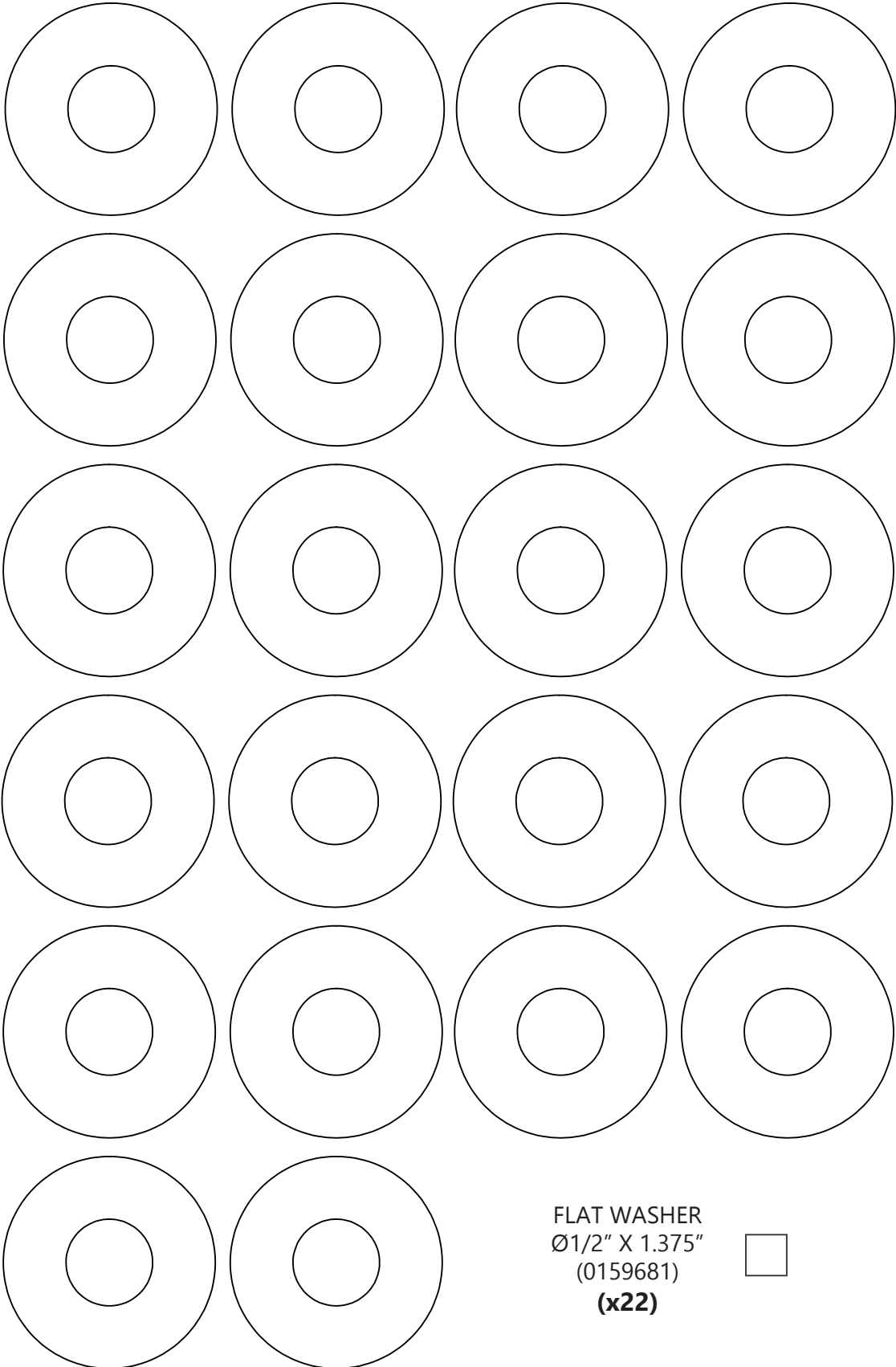


HEX NUT M12-1.75

(40309)

**(x14)**





FLAT WASHER  
Ø1/2" X 1.375"  
(0159681)  
**(x22)**

