



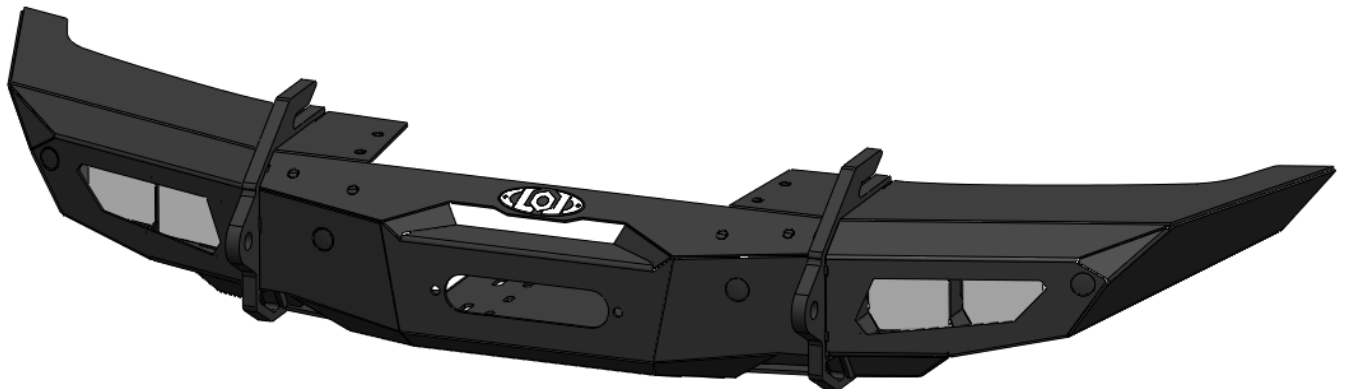
BLACK-OPS SERIES

BRONCO

BRONCO 2021
FRONT BUMPER



VERIFY YOU HAVE ALL THE COMPONENTS BEFORE STARTING THE INSTALLATION. REFER TO THE ENGINEERING DRAWINGS AT THE END OF THIS DOCUMENT FOR A COMPLETE PARTS LIST

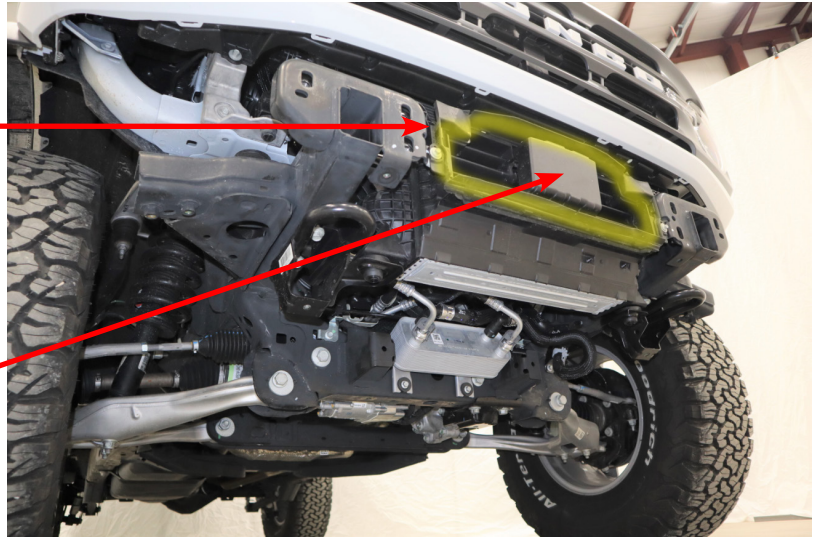


Begin by removing the factory front bumper from your Bronco.

If your bumper has fog lights and parking sensors, you will want to remove the fog lights, sensors and wiring harness and sensor housings to install in your new bumper.



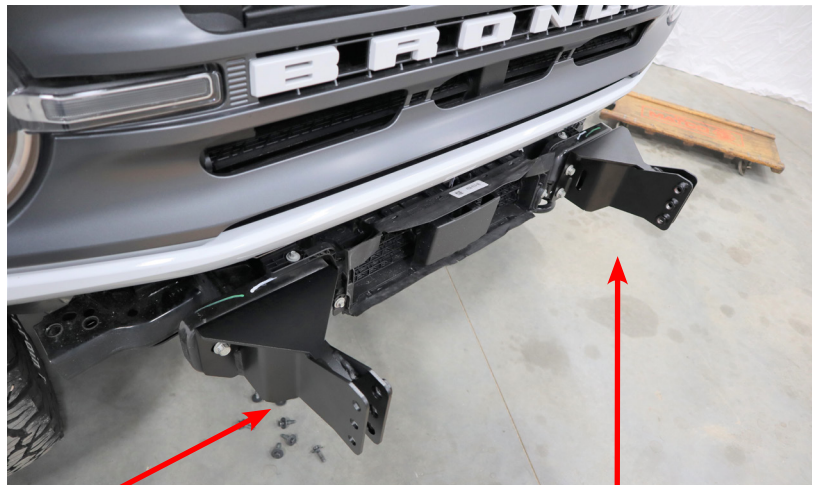
Remove the rubber shroud from your intercooler assembly. (Highlighted in yellow) This shroud is not needed anymore and removing it will allow better airflow to the intercooler.



If you have Automatic Cruise Control, you will need to relocate the sensor. Using your LOD ACC Relocation kit or other aftermarket kit. Follow the instructions for removing this sensor now before proceeding with your bumper installation.

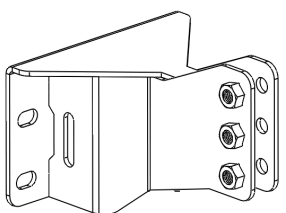
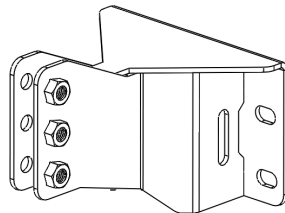
If you purchased the LOD Frame Tie In Brackets, you will want to install these now while installing your Front Bumper Frame Mounts.

Next install your Frame Mounts using the the bolts that secured your stock bumper in place. Be sure to leave these bolts a little loose so you can check the bumper fit before tightening.



Passenger Side Mount

Driver Side Mount



Parking Sensor Installation

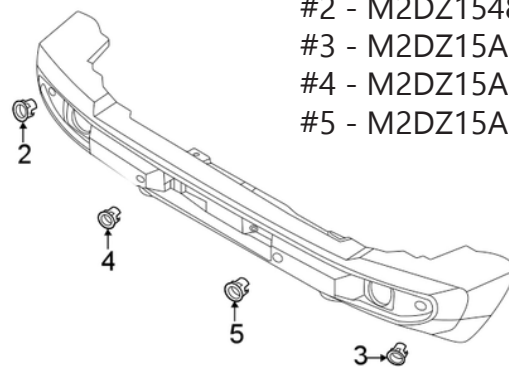
If you do not have parking sensors, skip these steps and install the provided plastic hole plugs.

Remove the sensor wiring harness from your stock bumper. It is helpful to label each sensor location on the harness before removing it from the bumper. (Your wiring harness may look different than the one pictured below)



We recommend using the sensor mounting bezels from your stock bumper to mount the sensors into your new LOD bumper. However you can also obtain sensor bezels from your local Ford dealer or online.

Use the diagram to the right if you need to order sensor bezels using the part numbers provided.



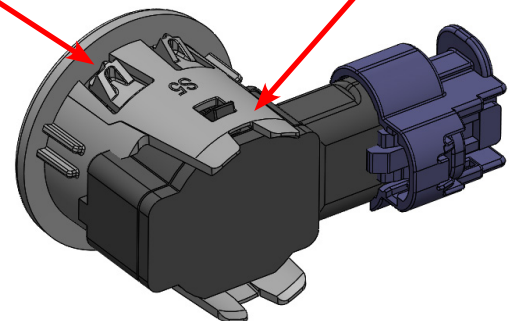
- #2 - M2DZ154862AB
- #3 - M2DZ15A862AC
- #4 - M2DZ15A862AA
- #5 - M2DZ15A862AD

You will need to remove the sensors from the mounting bezel before removing the bezel from the stock bumper.

*****Be sure to note the location of each bezel and the orientation of the sensor and bezel on the bumper. You will need to install these in the same orientation on your new LOD bumper. It is helpful to take a few pictures for the sensors in the stock bumper before you remove them.*****

Press these tabs to remove from bumper

Pull these tabs to remove sensor

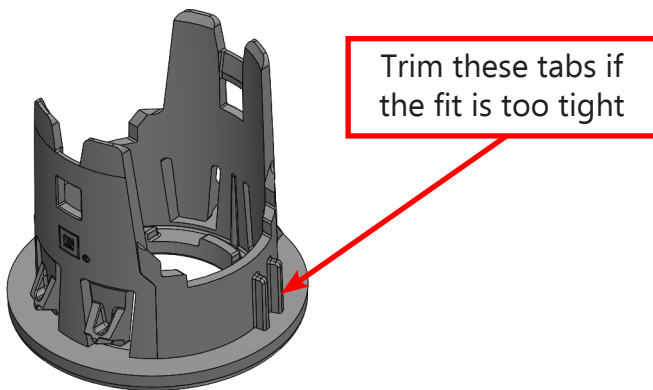
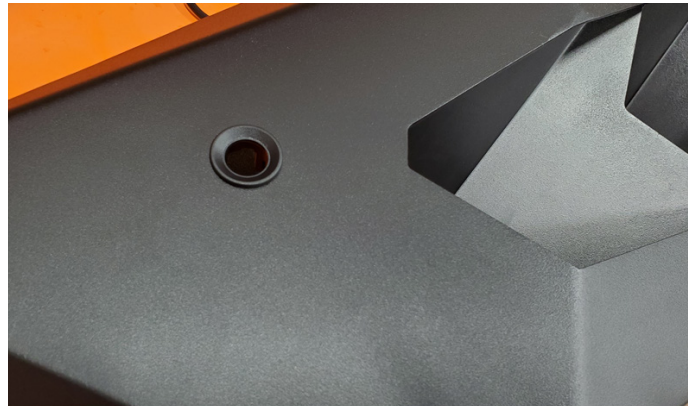


Install the mounting bezels into your new LOD bumper by simply snapping the bezel into the existing hole. Make sure you install the bezels into the same locations in which they were removed.

The mounting holes in your LOD bumper were designed to fit a standard sensor bezel. Depending on the style of your sensors, your sensor bezel could fit a little tight or loose.

If the bezel fits loose, simply add a little silicone or other adhesive to the backside to hold the bezel firmly in the mounting hole.

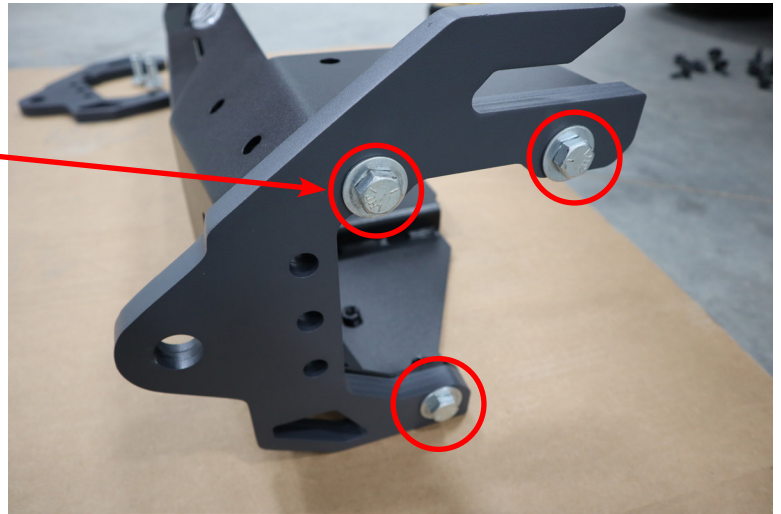
If the bezel fits too tight in the mounting hole, simply trim the small tabs on the side of the bezel to get a snug fit.



Once your sensor bezels are in place, snap the sensor back into the bezel. ***Make sure the orientation matches how they were in the stock bumper.** Install the wire harness into your Bumper Center Weldment before installing your bumper. Be sure to secure the wiring harness out of the way to prevent damage if running a winch.

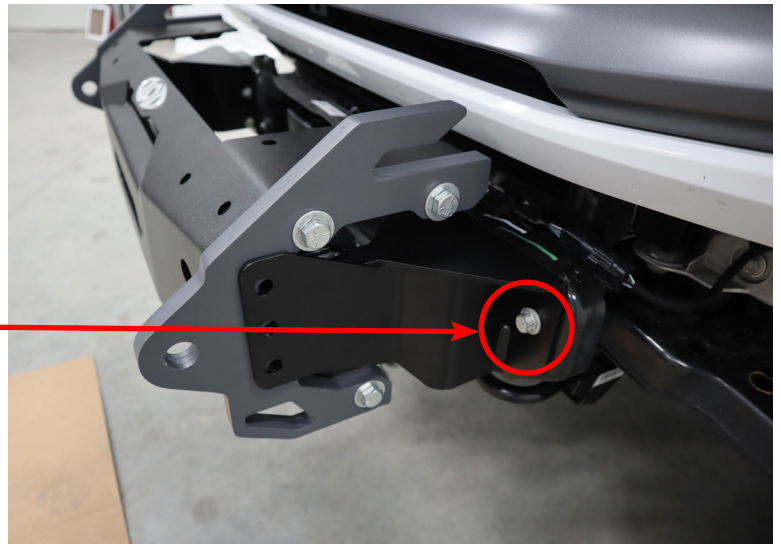
The ends of your wire harness will install into the sensors in your wings. Check to make sure the connectors will reach before securing your wire harness. If your wire harness is too short you may need to unwrap the sheathing to expose more length or splice in additional wire to add length where needed.

Next install the Tow Points to your Bumper Center using the $\text{\O}1/2''$ Hex Bolts and Washers. You will be removing these bolts shortly so just snug tight for now.



Next with a helper, place the Bumper Center (with Tow Points attached) onto your Frame Mounts as Shown. You may need to adjust the Frame Mounts slightly left or right to get the bumper to fit.

Once the Bumper Center is in position, you can leave it for a moment, it will hang there without falling. Now securely tighten the 6 Frame Mount mounting bolts.

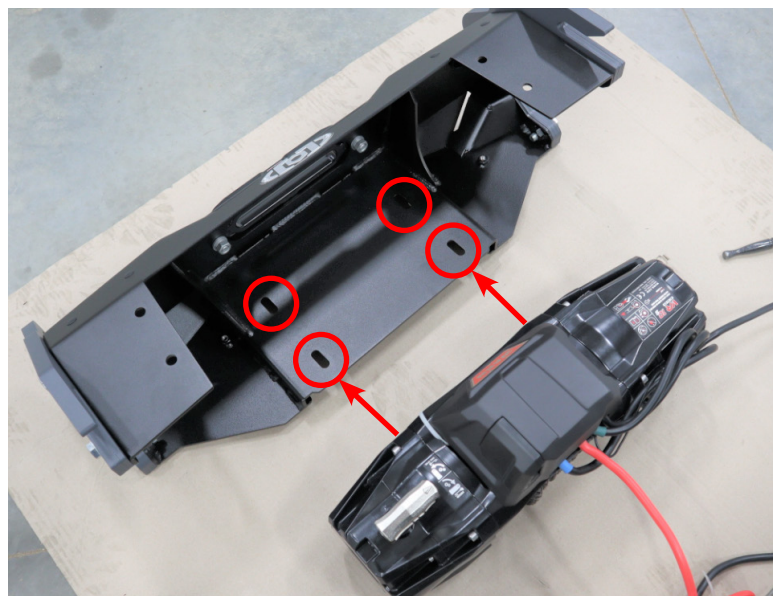


If you are not installing a winch, you can skip to the next section on following page

With your Frame Mounts tightened securely, remove the Bumper Center by carefully sliding it back off the mounts. Place the Bumper Center onto a work surface and proceed with installing your winch.

Install your winch Fairlead onto the Bumper Center first and then install your winch using the hardware provided with your winch.

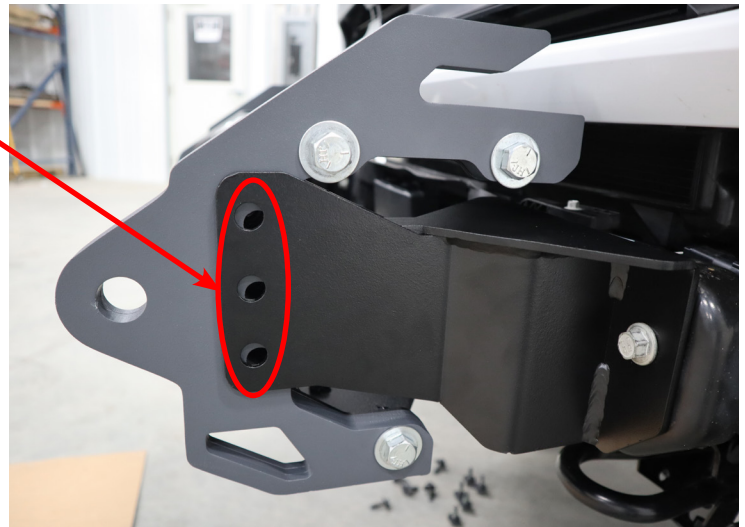
Place the winch into the Bumper Center over the 4 slotted mounting holes. Slide the winch as far forward as it will go and securely tighten the winch in place.



With a helper install the Bumper Center with winch onto the Frame Mounts as shown. It should slide in place easily without loosening the Frame Mount bolts.



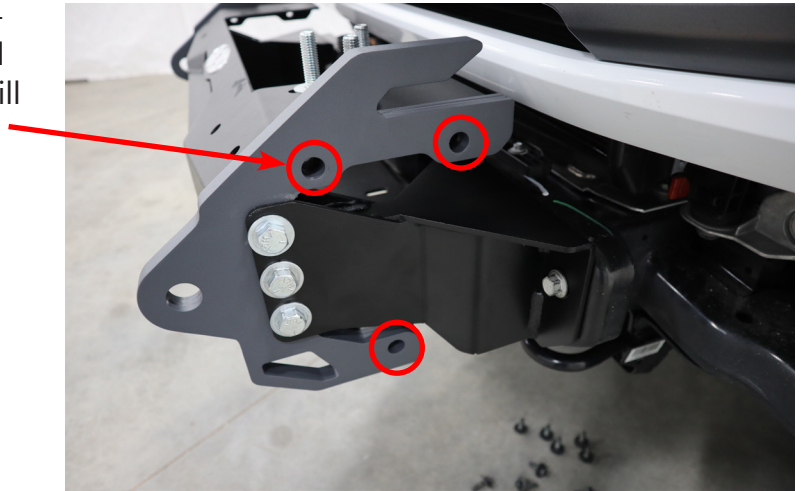
Position the Bumper Center so that the 3 mounting holes are aligned.



Install the $\text{\O}1/2''$ Hex Bolts and Washers into the 3 holes on each Frame Mount and tighten securely.



With the Bumper Center now securely mounted to the Frame Mounts. Remove the original 3 Hex Bolts that were installed. These bolts will be used to install the wings.



Next install the Wings using the Ø1/2" Hex Bolts and Washers that you just removed from the Tow Points on your Bumper Center.



Install all 3 hex bolts loosely. You can rotate the wing slightly on the bolts. Position as needed and tighten securely.

The inner bolt above the light pocket can be difficult to reach. We were able to easily install this bolt using a universal joint adapter and a 6" or longer extension on our 3/8" ratchet. Similar to the one pictured below.



If your stock bumper has fog lights, you can install these into your new LOD bumper using the optional "Stock Fog Light Bezel" purchased separately.

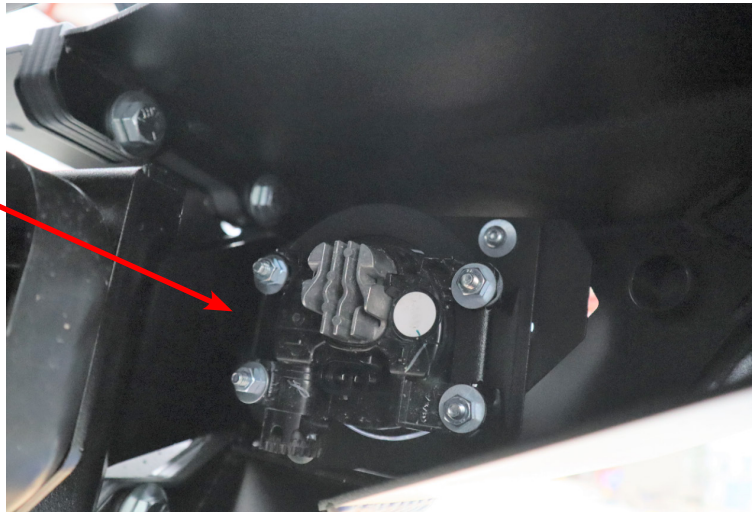
Or install your favorite aftermarket fog lights using the appropriate bezel. Or you can install blank bezels if you don't want to run fog lights in your bumper.

Stock fog light and bezel shown here



Install your bezels using the Ø1/4" Button Head Screws and Washers provided.

View of fog light bezel from inside the wing

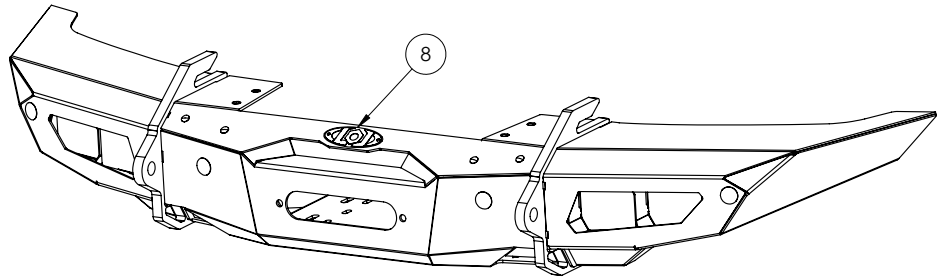


Depending on your stock bumper configuration, you may need to lengthen your fog light wiring harness. Unwrap the sheathing to expose more length or splice in additional wire to add length where needed.

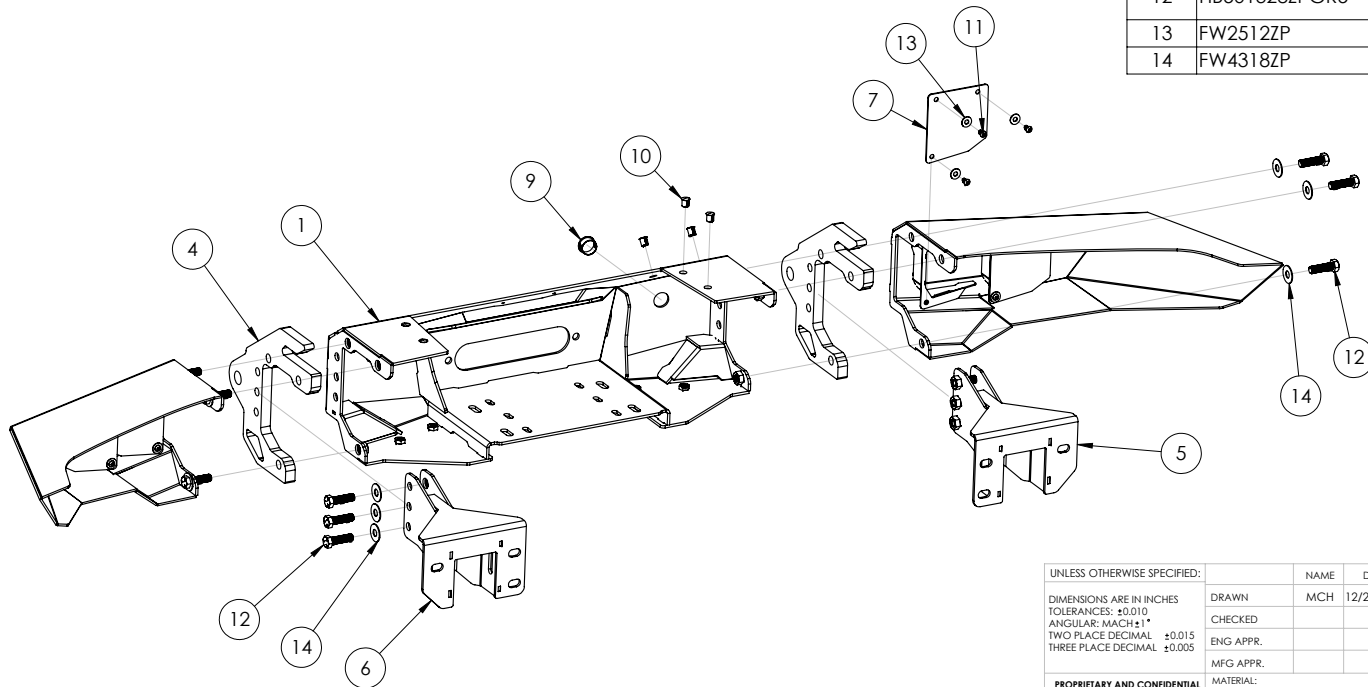
Maintenance

- Periodically check and re-tighten all fasteners.
-
- Periodically check your product for scratches, dings, or rust spots which can happen over time or after heavy use. It is important to address these areas as soon as possible to prevent rust and corrosion from spreading. We recommend using Rustoleum® brand Black Semi-Gloss Protective Enamel (oil based). Apply using a foam brush by dabbing to match the powder coat texture.





ITEM NO.	PART NUMBER	DESCRIPTION	QTY.
1	4AFB2021-01	ADAPTIVE BUMPER CENTER WELDMENT	1
2	4BFB2021-04	2021 BRONCO FULL WIDTH WING - PS	1
3	4BFB2021-11	2021 BRONCO FULL WIDTH WING - DS	1
4	2AFB2021-32	ADAPTIVE FRONT TOW POINT	2
5	4BFB2021-03	2021 BRONCO FRAME MOUNT - PS	1
6	4BFB2021-07	2021 BRONCO FRAME MOUNT - DS	1
7	2AFL2000-01	BLANK LIGHT LIGHT BEZEL	4
8	LOGO1001	DESTROYER LOGO - EMBOSSED	1
9	HP1004	HOLE PLUG Ø1.125"	4
10	HP1006	HOLE PLUG Ø0.50" BLACK	8
11	BHSCS252008ZP	BHSCS 1/4-20 X 0.50 ZINC PLATE	12
12	HB501328ZPGR5	HEX BOLT 1/2-13 X 1.75 HEX BOLT ZINC PLATE GR5	12
13	FW2512ZP	FLAT WASHER Ø1/4" X .75 ZINC PLATE	12
14	FW4318ZP	FLAT WASHER Ø7/16 X 1.25" ZINC PLATED	12



- NOTES:**
1. BFB2102 = BARE STEEL OPTION
 2. BFB2103 = BLACK POWDER COAT
 3. WEIGHT = APPROX 101 LBS

UNLESS OTHERWISE SPECIFIED: DIMENSIONS ARE IN INCHES TOLERANCES: ±0.010 ANGULAR: MACH±1° TWO PLACE DECIMAL: ±0.015 THREE PLACE DECIMAL: ±0.005	DRAWN	NAME	DATE	LOD LLC.	
	CHECKED	MCH	12/22/2021		
PROPRIETARY AND CONFIDENTIAL THE INFORMATION CONTAINED IN THIS DRAWING IS THE SOLE PROPERTY OF LOD LLC. ANY REPRODUCTION IN PART OR AS A WHOLE WITHOUT THE WRITTEN PERMISSION OF LOD LLC IS PROHIBITED.	ENG APPR.			DESCRIPTION: 2021 BRONCO BLACK OPS BASE FB - FULL WIDTH	
	MFG APPR.				
	MATERIAL:	N/A			DWG. NO. BFB2102
	FINISH:	SEE NOTES			BFB2103
	ECC:	-		REV A	
				SCALE: 1:8	
				SHEET SIZE: B	
				SHEET 1 OF 1	



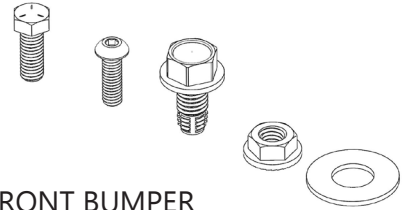
BRONCO
BLACK-OPS SERIES
 FRONT BUMPER - CENTER
 SHIPPING SHEET
6BFB2100-01

Packaged by:

On: _____



INSTRUCTION
 SHEET



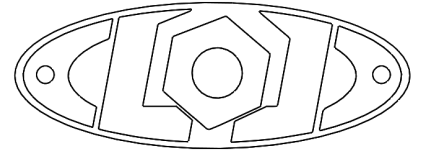
FRONT BUMPER
 CENTER BOLT KIT
 6BFB2100-BK

(x1)



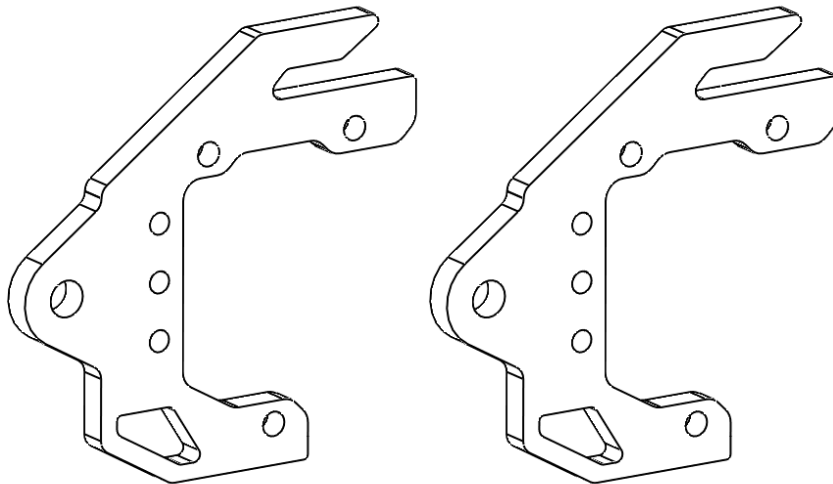
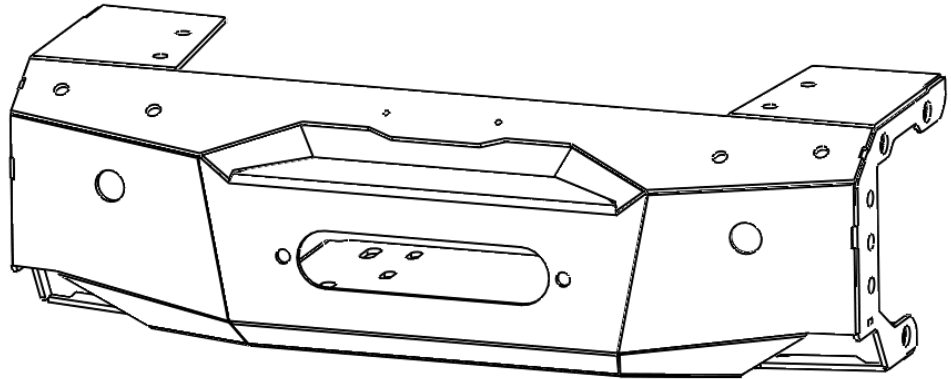
LOD LOGO
 (PACKAGED SEPERATE
 IF BUMPER IS BARE STEEL)

(x1)



BUMPER CENTER WELDMENT
 4AFB2021-01

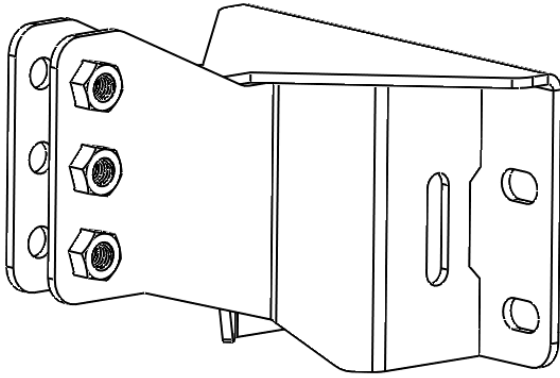
(x1)



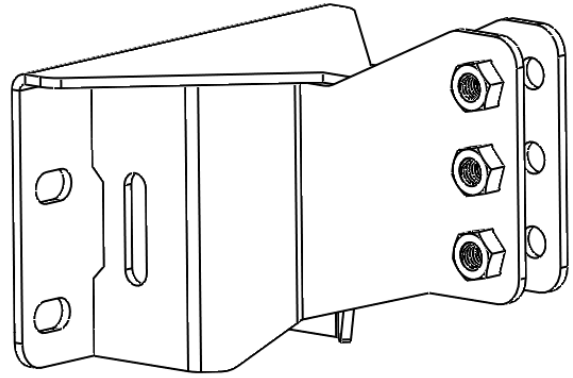
FRONT TOW POINT
 2AFB2021-32

(x2)

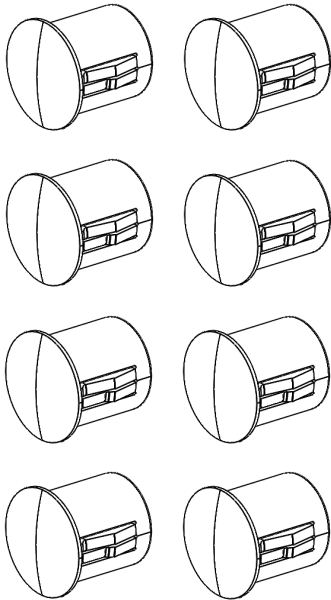




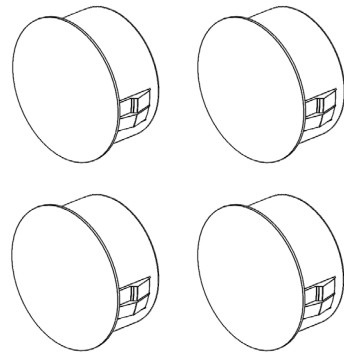
2021 BRONCO FRAME
MOUNT - PS
4BFB2021-03
(x1)



2021 BRONCO FRAME
MOUNT - DS
4BFB2021-07
(x1)



HOLE PLUG Ø0.50
HP1006
(x8)



HOLE PLUG Ø1.125
HP1004
(x4)

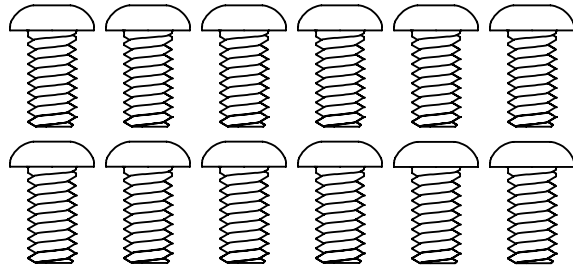




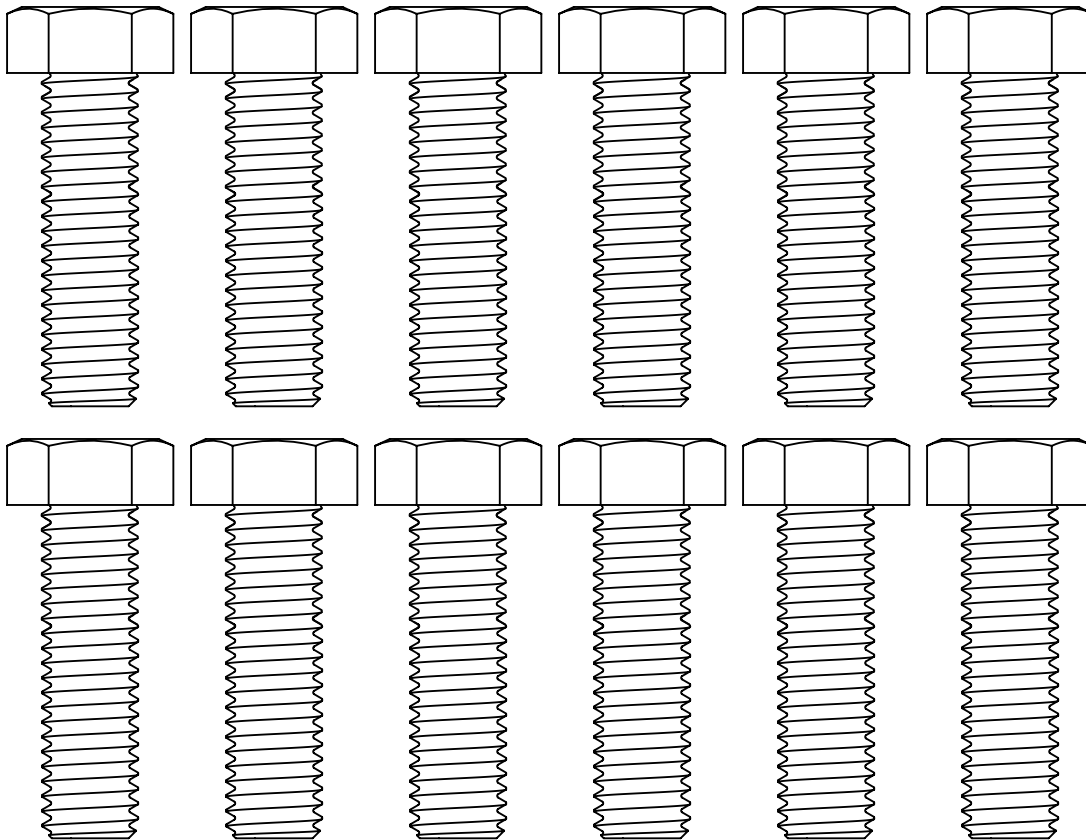
**BRONCO
BLACK-OPS SERIES**
FRONT BUMPER
Bolt Kit
6BFB2100-BK

Packaged by:

On:

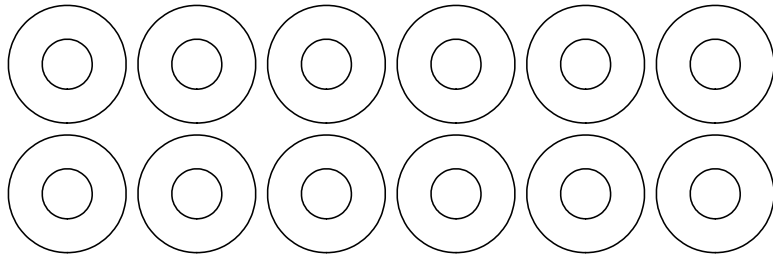


BUTTON HEAD SCREW
1/4-20 X 0.50"
(94049)
(x12)

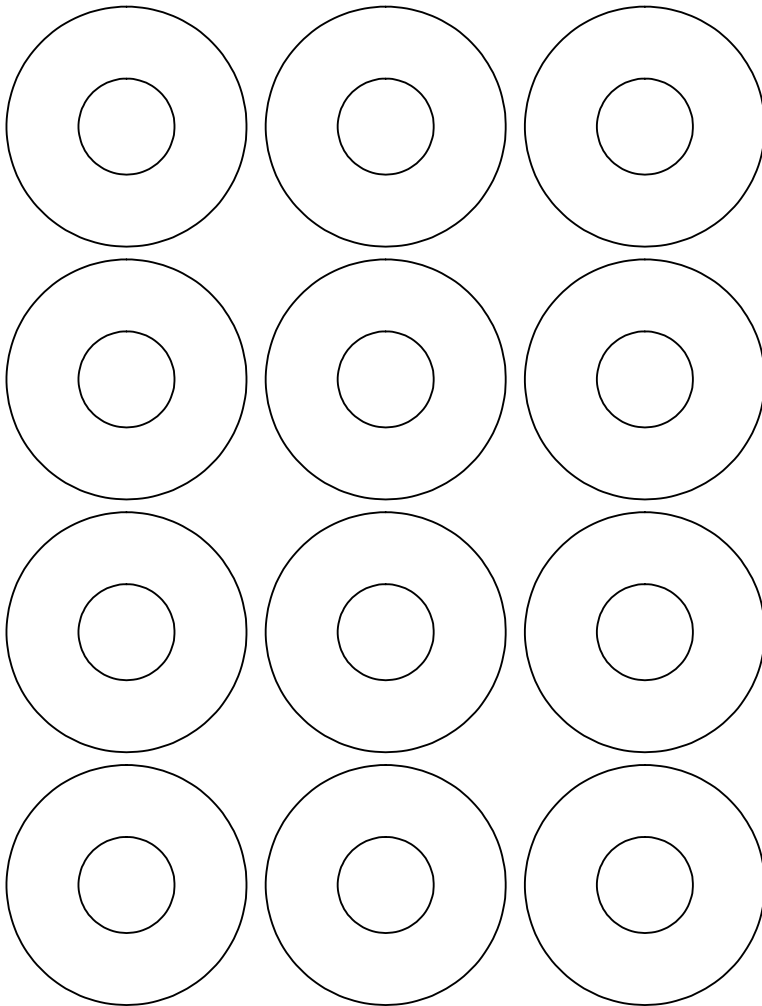


HEX BOLT 1/2-13 X 1.75"
(0137546)
(x12)





FLAT WASHER
Ø1/4 X 0.75"
(923083411)
(x12)



FLAT WASHER
Ø7/16" X 1.25"
(0159680)
(x12)

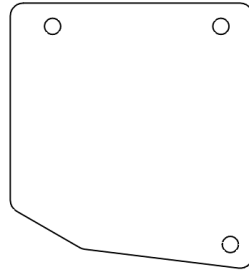




**BRONCO
BLACK-OPS SERIES
SHORTY WINGS
SHIPPING SHEET
6BFB2100-02**

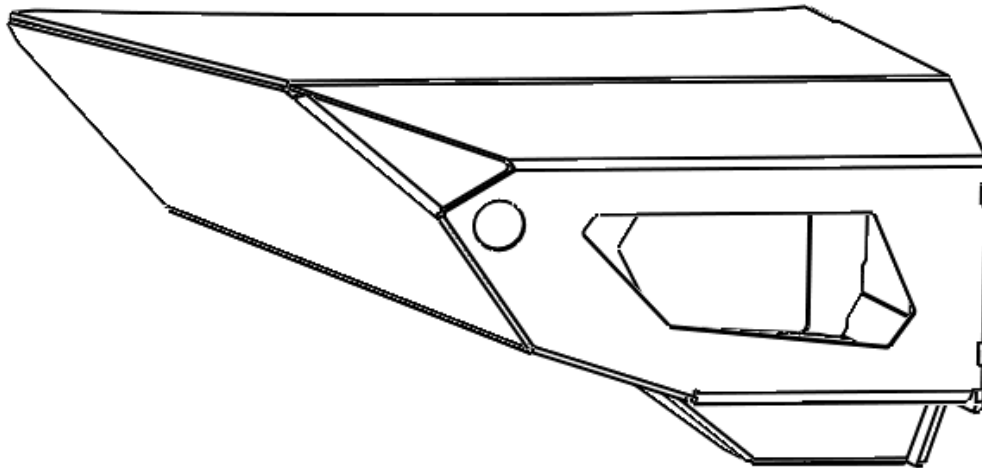
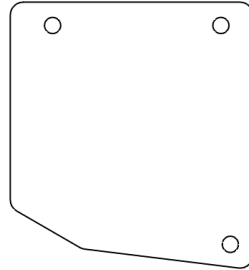
Packaged by:

On:



BLANK LIGHT BEZEL
2AFL2000-01

(x2)



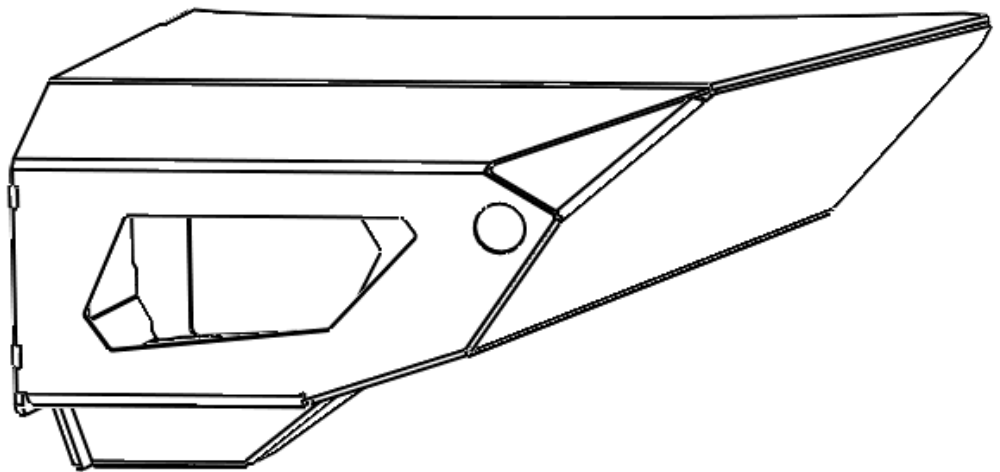
2021 BRONCO
SHORTY WING - PS
4BFB2021-01

(x1)



2021 BRONCO
SHORTY WING - DS
4BFB2021-08

(x1)

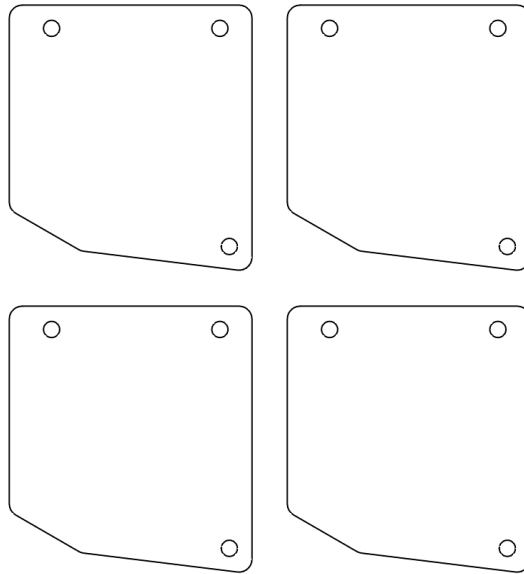




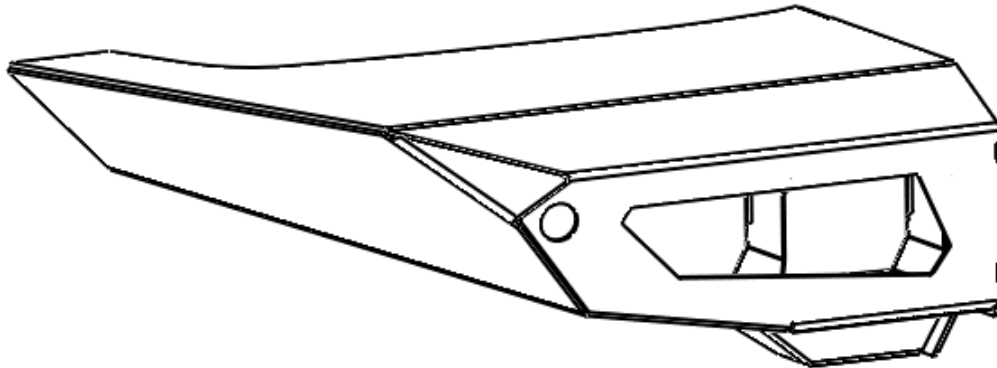
**BRONCO
BLACK-OPS SERIES
FULL WIDTH WINGS**
SHIPPING SHEET
6BFB2100-03

Packaged by:

On:



BLANK LIGHT BEZEL
2AFL2000-01
(x4)



2021 BRONCO
FULL WIDTH WING - PS
4BFB2021-04
(x1)



2021 BRONCO
FULL WIDTH WING - DS
4BFB2021-11
(x1)

