



BLACK-OPS SERIES

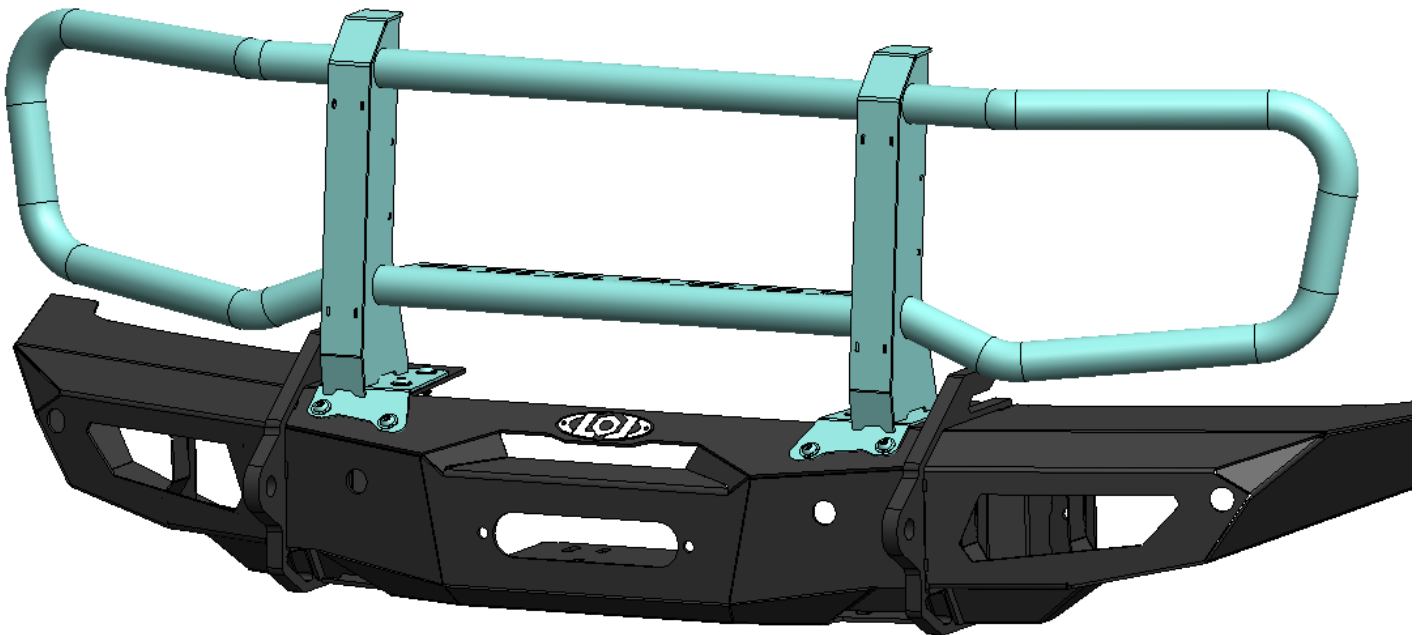
BRONCO

FRONT FULL GRILL GUARD

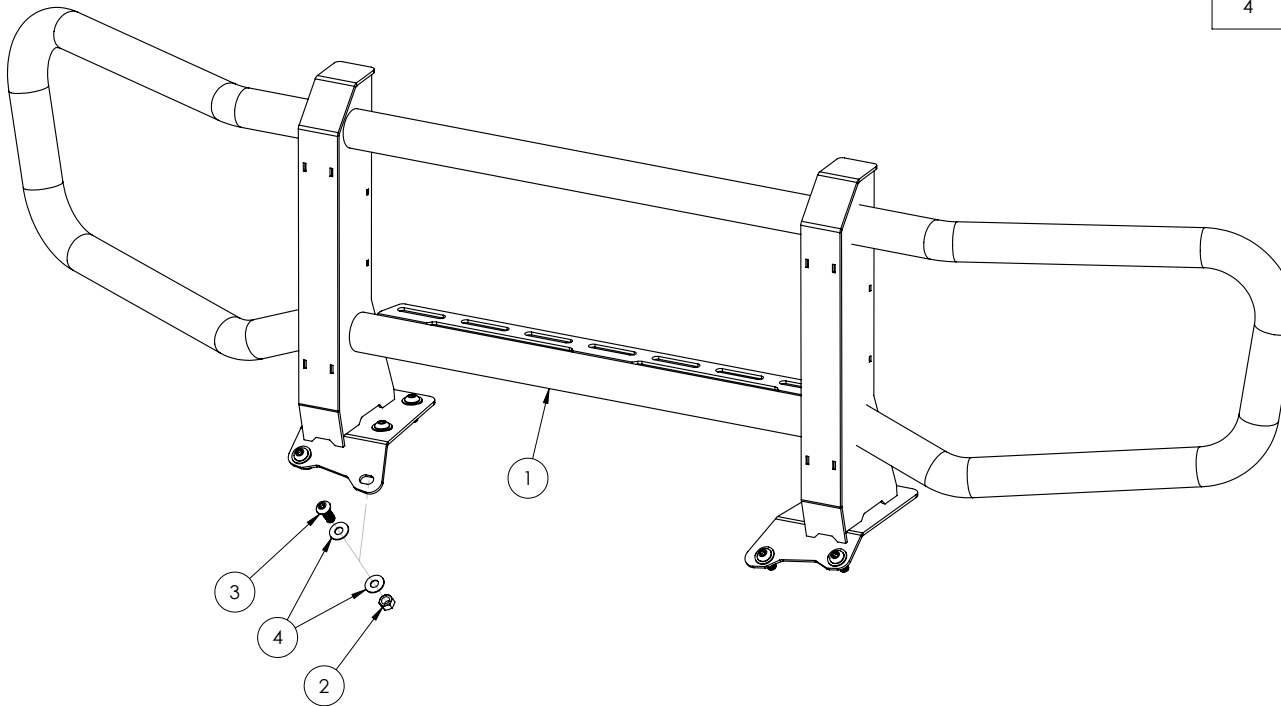


VERIFY YOU HAVE ALL THE COMPONENTS BEFORE STARTING THE INSTALLATION. REFER TO THE ENGINEERING DRAWINGS AT THE END OF THIS DOCUMENT FOR A COMPLETE PARTS LIST


Install the Front Full Headlight Guard as shown using the $\text{Ø}3/8$ " Button Head Screws, Washers and Nuts provided.



ITEM NO.	PART NUMBER	DESCRIPTION	QTY.
1	4AFG2021-05	2021 BRONCO FULL FRONT GUARD	1
2	HN3816ZPGR5	HEX NUT 3/8-16 ZINC PLATE GR5	8
3	BHSCS381616ZP	BHSCS 3/8-16 X 1.00 ZINC PLATE	8
4	FW3114ZP	FLAT WASHER Ø5/16" X .875" ZINC PLATE	16



- NOTES:**
1. AFG2104 = BARE STEEL OPTION
 2. AFG2105 = BLACK POWDER COAT
 3. WEIGHT = APPROX 33 LBS

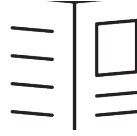
UNLESS OTHERWISE SPECIFIED:	NAME	DATE	LOD LLC.  DESCRIPTION: FRONT HEADLIGHT GUARD DWG. NO. AFG2104 AFG2105 SCALE: 1:5 SHEET SIZE: B	REV A SHEET 1 OF 1
DIMENSIONS ARE IN INCHES	DRAWN	MCH 12/20/2021		
TOLERANCES: ±0.010	CHECKED			
ANGULAR: MACH±1°	ENG APPR.			
TWO PLACE DECIMAL ±0.015	MFG APPR.			
THREE PLACE DECIMAL ±0.005	MATERIAL:	N/A		
PROPRIETARY AND CONFIDENTIAL	FINISH:	SEE NOTES		
THE INFORMATION CONTAINED IN THIS DRAWING IS THE SOLE PROPERTY OF LOD LLC. ANY REPRODUCTION IN PART OR AS A WHOLE WITHOUT THE WRITTEN PERMISSION OF LOD LLC IS PROHIBITED.	ECCO:	-		



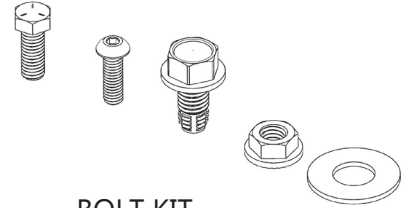
BRONCO
BLACK-OPS SERIES
FRONT FULL GRILL GUARD
SHIPPING SHEET

Packaged by:

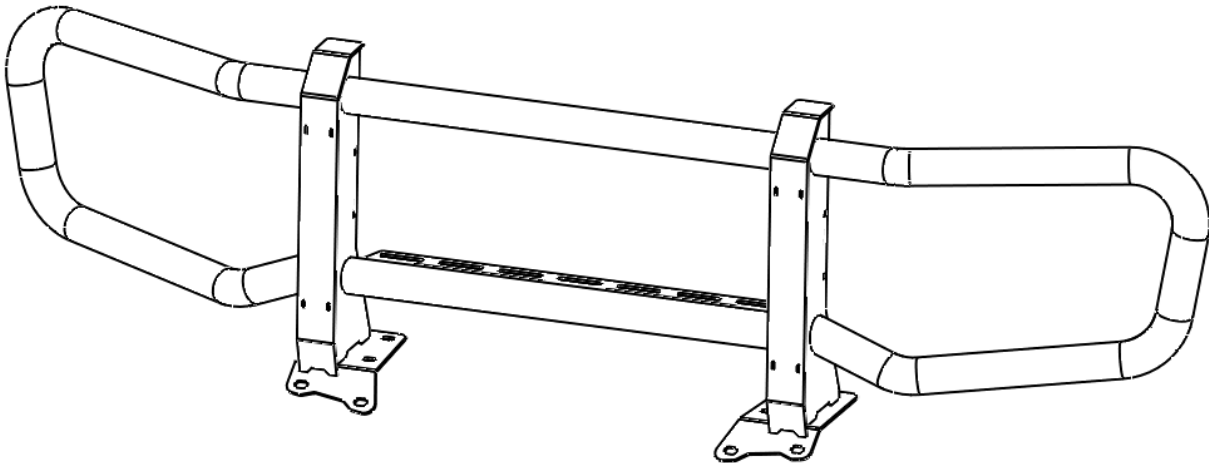
On:



INSTRUCTION
SHEET



BOLT KIT
AFG2102-BK
(x1)



2021 BRONCO FRONT
FULL HEADLIGHT GUARD
4AFG2021-05
(x1)

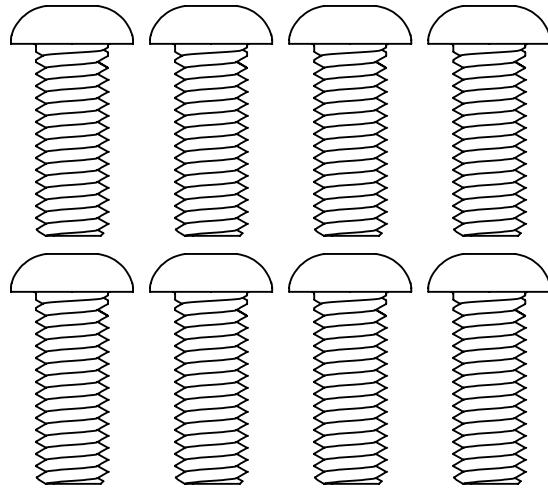




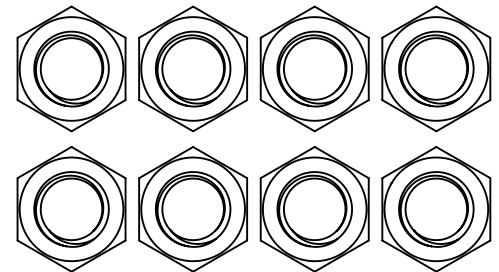
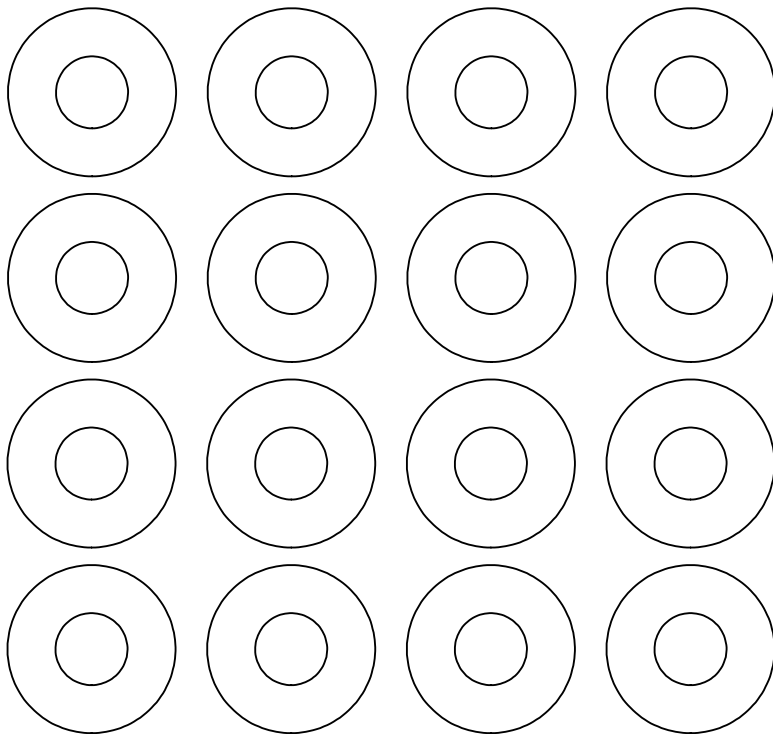
**BRONCO
BLACK-OPS SERIES
FRONT FULL GRILL GUARD
AFG2102-BK**

Bolt Kit
Packaged by:

On:



BUTTON HEAD SCREW
3/8-16 X 1.00" LG
(94092)
(x8)



HEX NUT 3/8-16
(36306)
(x8)

FLAT WASHER
Ø5/16" X .875"
(0159678)
(x16)