



BLACK-OPS SERIES

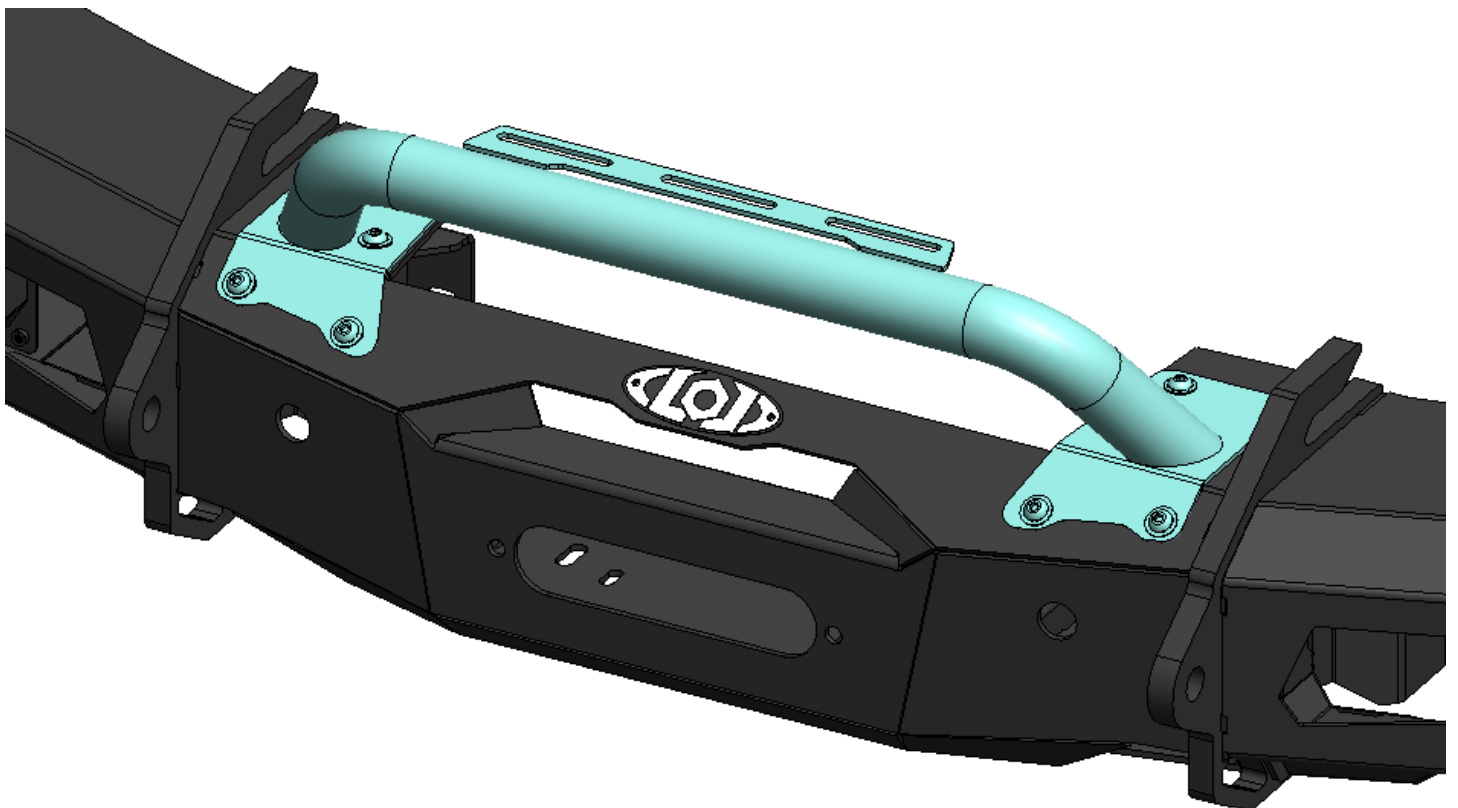
BRONCO

FRONT BUMPER BULL BAR

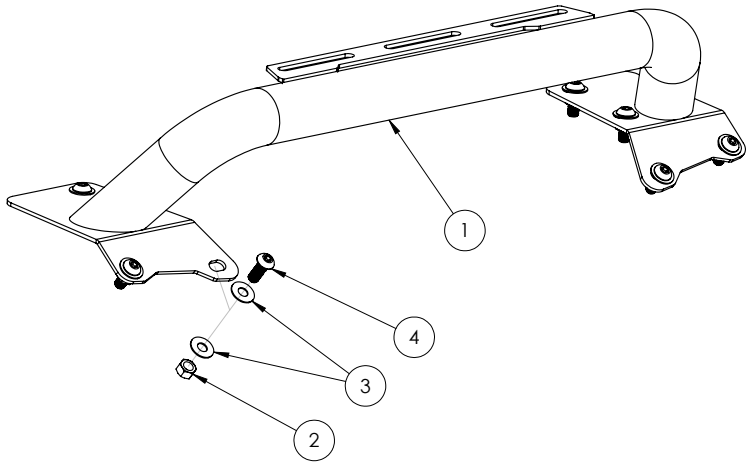


VERIFY YOU HAVE ALL THE COMPONENTS BEFORE STARTING THE INSTALLATION. REFER TO THE ENGINEERING DRAWINGS AT THE END OF THIS DOCUMENT FOR A COMPLETE PARTS LIST


Install the Bull Bar as shown using the $\text{Ø}3/8''$ Button Head Screws, Washers and Nuts provided.



ITEM NO.	PART NUMBER	DESCRIPTION	QTY.
1	4AFG2021-02	ADAPTIVE BUMPER BULL BAR	1
2	HN3816ZPGR5	HEX NUT 3/8-16 ZINC PLATE GR5	8
3	FW3114ZP	FLAT WASHER Ø5/16" X .875" ZINC PLATE	16
4	BHSCS381616ZP	BHSCS 3/8-16 X 1.00 ZINC PLATE	8



- NOTES:**
1. AFG2102 = BARE STEEL OPTION
 2. AFG2103 = BLACK POWDER COAT
 3. WEIGHT = APPROX 15 LBS

UNLESS OTHERWISE SPECIFIED:		NAME	DATE	LOD LLC. 		
DIMENSIONS ARE IN INCHES TOLERANCES: ±0.010 ANGULAR: MACH ±1° TWO PLACE DECIMAL ±0.015 THREE PLACE DECIMAL ±0.005		MCH	12/20/2001			
PROPRIETARY AND CONFIDENTIAL THE INFORMATION CONTAINED IN THIS DRAWING IS THE SOLE PROPERTY OF LOD LLC. ANY REPRODUCTION IN PART OR AS A WHOLE WITHOUT THE WRITTEN PERMISSION OF LOD LLC IS PROHIBITED.		DRAWN		DESCRIPTION: FRONT BUMPER BULL BAR		
		CHECKED				
		ENG APPR.		DWG. NO.	AFG2102 AFG2103	REV
		MFG APPR.				A
		MATERIAL:		SCALE: 1:4	SHEET SIZE: B	SHEET 1 OF 1
		FINISH:				
		SEE NOTES				
		ECO:				
		-				

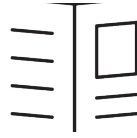


**BRONCO
BLACK-OPS SERIES**

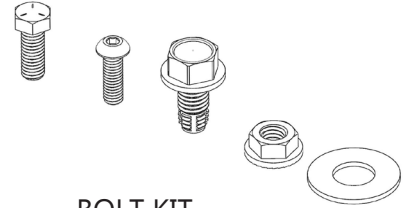
FRONT BUMPER
BULL BAR
SHIPPING SHEET

Packaged by:

On:

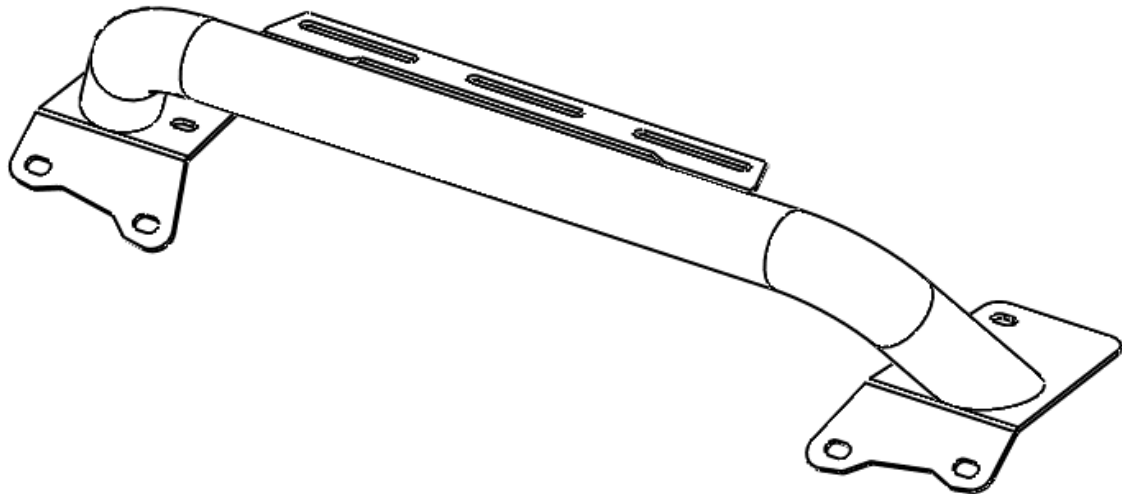


INSTRUCTION
SHEET



BOLT KIT
AFG2102-BK

(x1)



FRONT BUMPER BULL BAR

4AFG2021-02

(x1)





**BRONCO
BLACK-OPS SERIES**

FRONT BUMPER

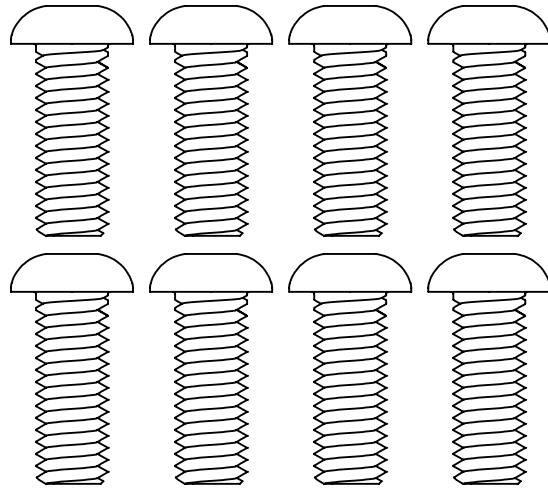
BULL BAR

AFG2102-BK

Bolt Kit

Packaged by:

On:

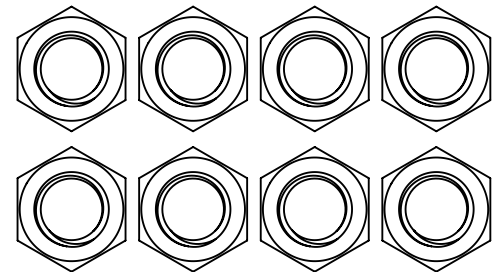
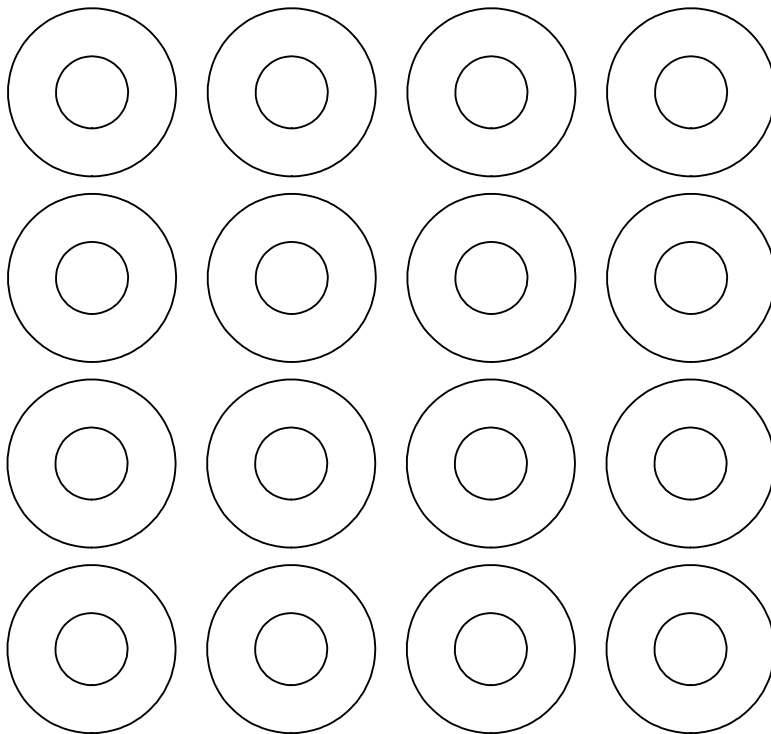


BUTTON HEAD SCREW

3/8-16 X 1.00" LG

(94092)

(x8)



HEX NUT 3/8-16

(36306)

(x8)



FLAT WASHER

Ø5/16" X .875"

(0159678)

(x16)

