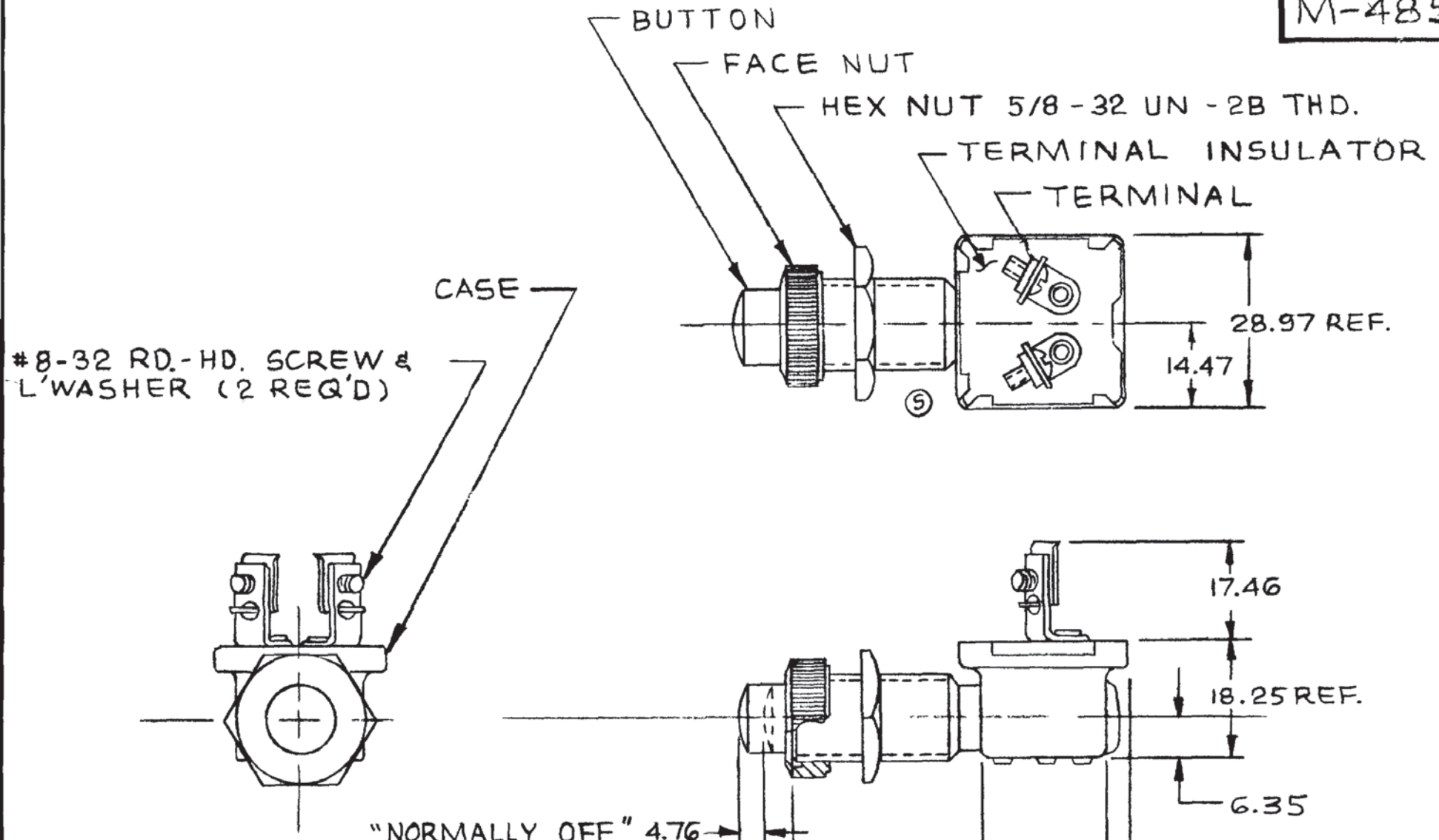


M-485



#8-32 RD.-HD. SCREW & L'WASHER (2 REQ'D)

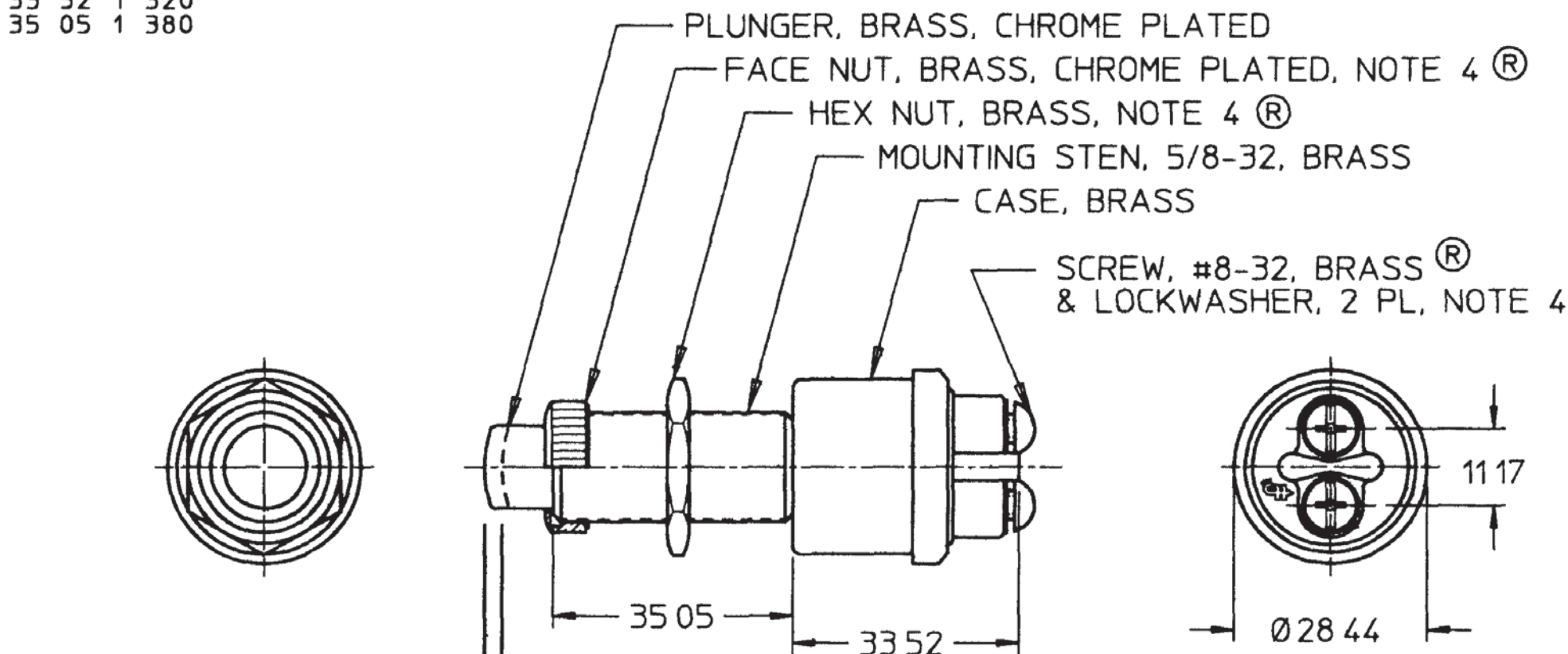
NOTES:
 1. ALL METAL PARTS TO BE BRASS UNLESS OTHERWISE SPECIFIED
 2. INSERTION PRESSURE 3 1/2 # TO 5 #

METRIC ③ 3. ALL HARDWARE SHIPPED LOOSE 10 AMPS @ 12 VDC DO NOT SCALE

LET	WAS	DATE	BY	LET	WAS	DATE	BY	MATERIAL	DRAWN	CHECKED	APPRV L	SCALE	DATE DRAWN
								NOTED	JE	<i>[Signature]</i>		1:1	3-3-50
								FINISH					DATE BLUEPRINT
				T	ECN # 99193	5/13/99	JE	NOTED					
				S	ECN # 27164 ADDED CUTOUT	12-31-97	JE	TOLERANCES					
				R	REDRAWN	8/6/90	BL	DECIMAL ± .015 METRIC ± .010	SWITCH, MOMENTARY N.O.				M-485

M490

MM	IN
11 17 0 440	
28 44 1 120	
33 52 1 320	
35 05 1 380	



NORMALLY OPEN

CLOSED

SELF RETURN
TO NORMALLY
OPEN POSITION

- (R) NOTES
- 1 ALL DIMENSIONS ARE REFERENCE ONLY
 - 2 SILVERED CONTACT SURFACES
 - 3 RATING
12V DC 35 AMPS
24V DC 20 AMPS
 - 4 PARTS MAYBE ASSEMBLED OR SUPPLIED IN A BAG

METRIC

DO NOT SCALE

LET	WAS	DATE	BY	LET	WAS	DATE	BY	MATERIAL	DRAWN	CHK	APVD	SCALE	DATE DRAWN
									RD	JMP		11	12/14/53
								FINISH	Cole Hersee Co.				DATE BLUEPRINTED
				R	ECN #26936	7/24/97	AJS	TOLERANCES	SW, P-P, MOM				M490
				P	PUT ON CAD	7/26/96	DPS	DECIMAL ± ANGLE ±					

FACE NUT, BRASS, CHROME PLATED, NOTE 3

HEX NUT, BRASS, NOTE 3

MOUNTING STEM, 5/8-32, BRASS

SCREW, #8-32, BRASS,
2 PL, NOTE 3

PLUNGER, BRASS, CHROME PLATED

ON
WHEN DEPRESSED
0.080[2.03]/0.160[4.07] &
THRU REMAINDER OF
TRAVEL

OFF

1.280 [32.51]

0.890 [22.60]

1.120 [28.45]

1.375 [34.93]

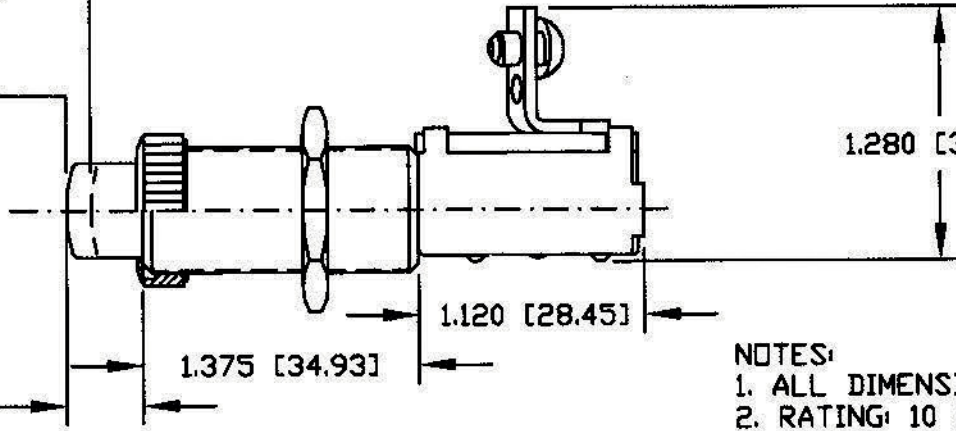
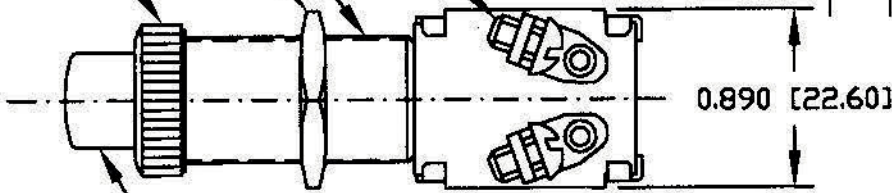
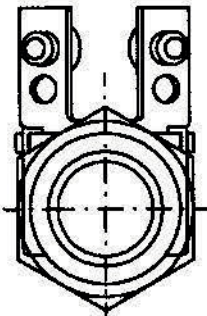
0.380 [9.65]

NOTES:

1. ALL DIMENSIONS ARE REFERENCE ONLY
2. RATING: 10 AMPS @ 12V DC
3. ALL HARDWARE SHIPPED LOOSE

Revision Control Record

Rev.	Description of Change	ECN No.	Date
L	NOTE 3	00796	10/24/00



Cole Hersee Co.

Description: SWITCH, PUSH-PULL

Drawing /
Part No.:

M492

Current Rev.

L

Used On
or Ref.:

Scale: **1:1**

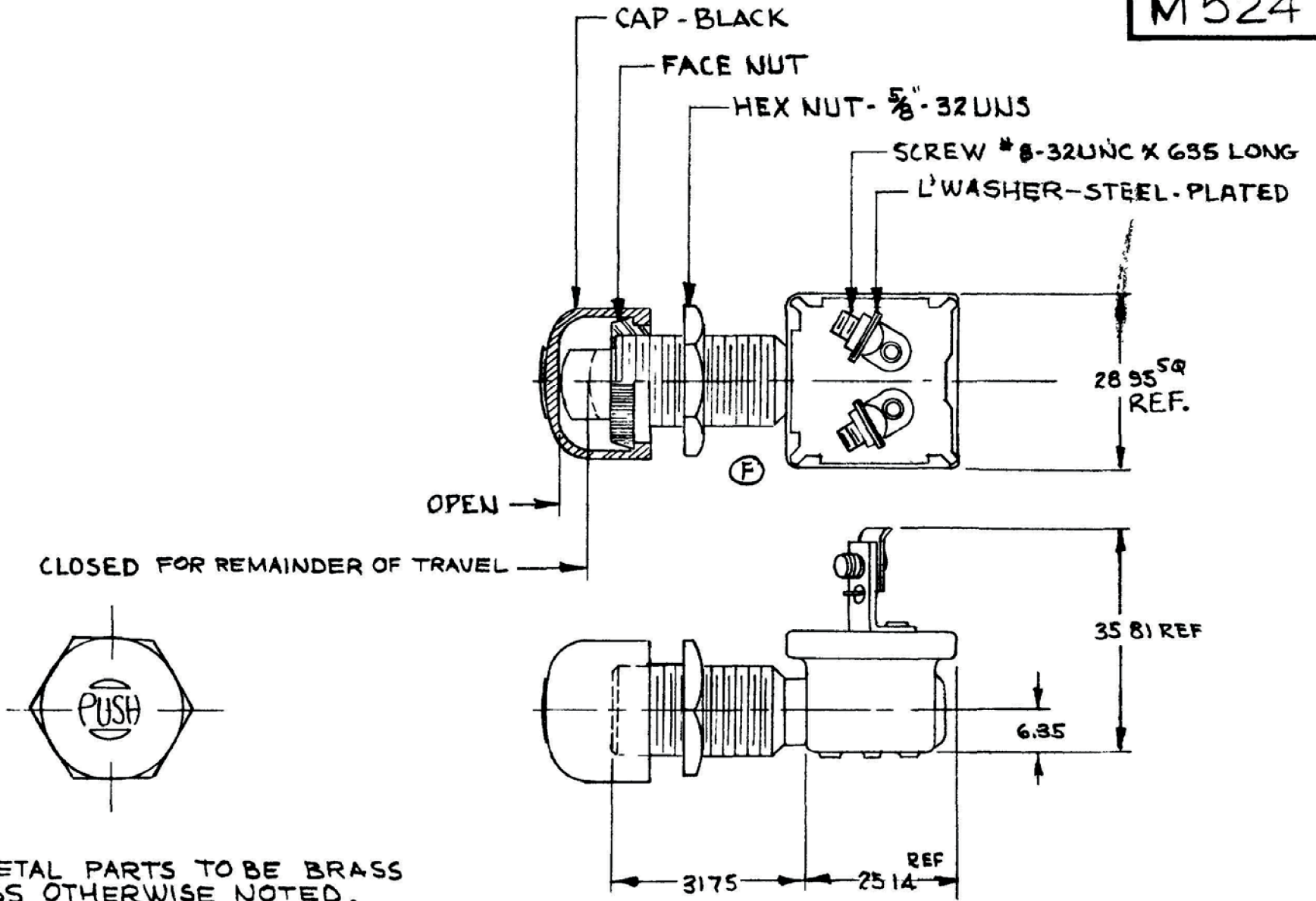
Drawn By: **S**

Date Drawn: **9/30/54**

Responsible Engineer: **N/A**

Pg. 1 of 1

M524



NOTES :

- 1. ALL METAL PARTS TO BE BRASS UNLESS OTHERWISE NOTED.
- 2. CAP AND HARDWARE SHIPPED LOOSE

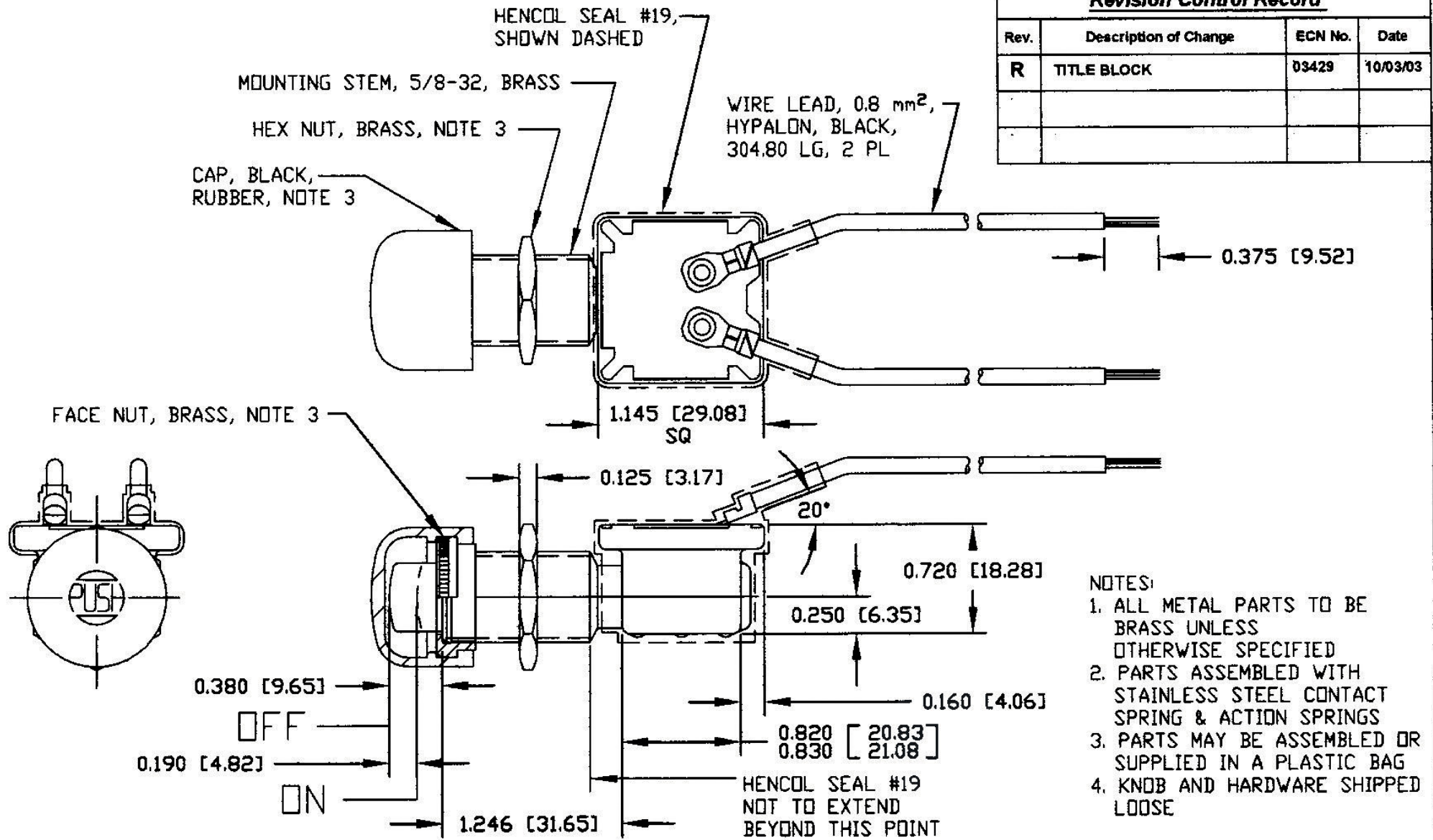
METRIC

DO NOT SCALE

LET	WAS	DATE	BY	LET	WAS	DATE	BY	MATERIAL	DRAWN	CHECKED	APPRV D	SCALE	DATE DRAWN
									EA	RJA		1:1	2-6-64
								FINISH	Cole Hersee Co				DATE BLUEPRINT
				G	ECN #19173	5/13/91	RF						
				F	ECN 27164 ADDED CUTOUT	12-31-92	RF	TOLERANCES	MOM. SWITCH NO				M524
				E	REDRAWN	3-24-87	ZU	DECIMAL ± METRIC ±0.25					


Revision Control Record

Rev.	Description of Change	ECN No.	Date
R	TITLE BLOCK	03429	10/03/03



- NOTES:
1. ALL METAL PARTS TO BE BRASS UNLESS OTHERWISE SPECIFIED
 2. PARTS ASSEMBLED WITH STAINLESS STEEL CONTACT SPRING & ACTION SPRINGS
 3. PARTS MAY BE ASSEMBLED OR SUPPLIED IN A PLASTIC BAG
 4. KNOB AND HARDWARE SHIPPED LOOSE

Cole Hersee Co.

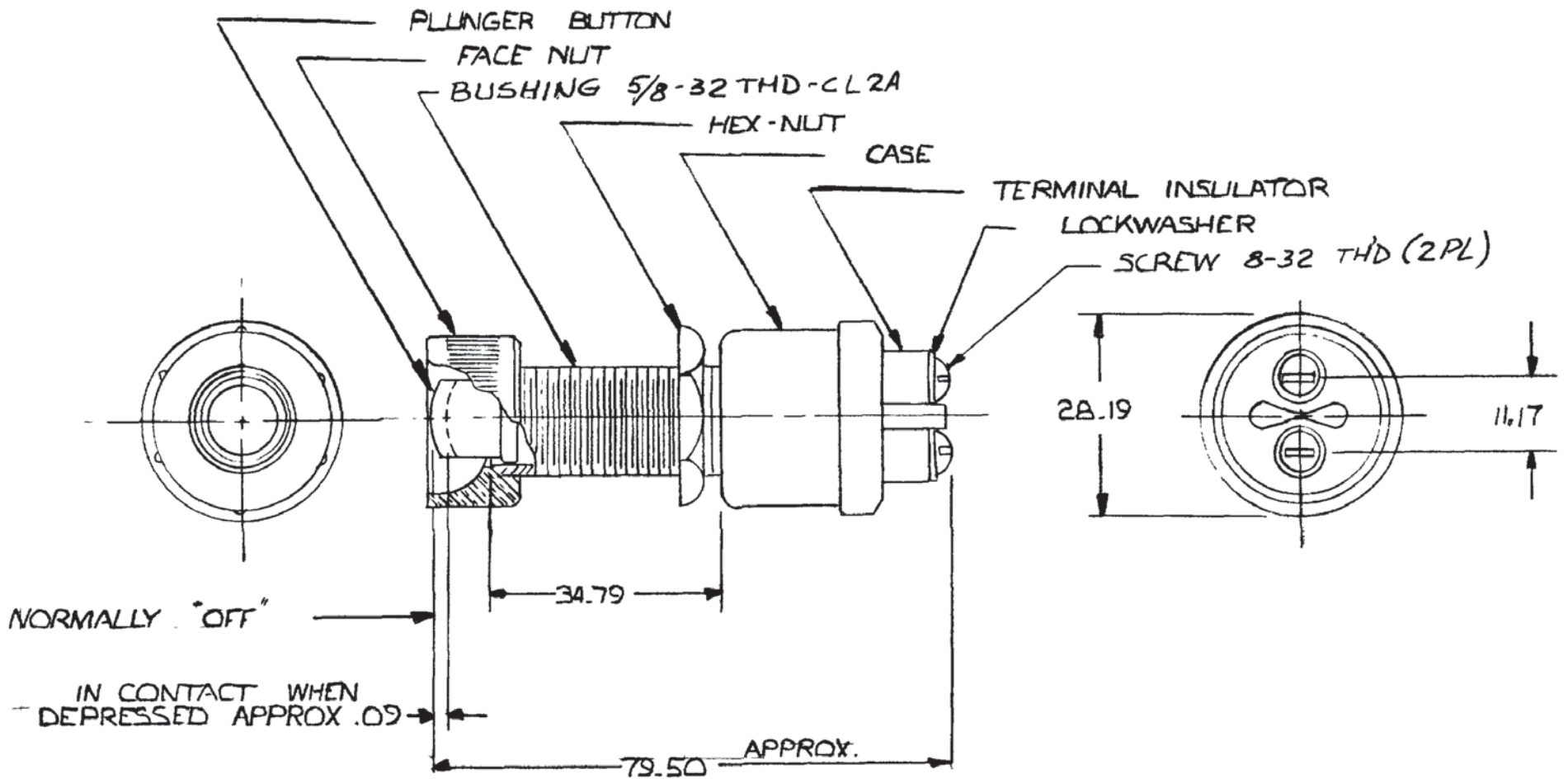


Description: **SWITCH, MOM** ®

Drawing / Part No.: **M-608**

Current Rev.: **R**

M612




NOTE:
SILVER LAMINATED
CONTACT SURFACES

35 AMPS @ 12V DC

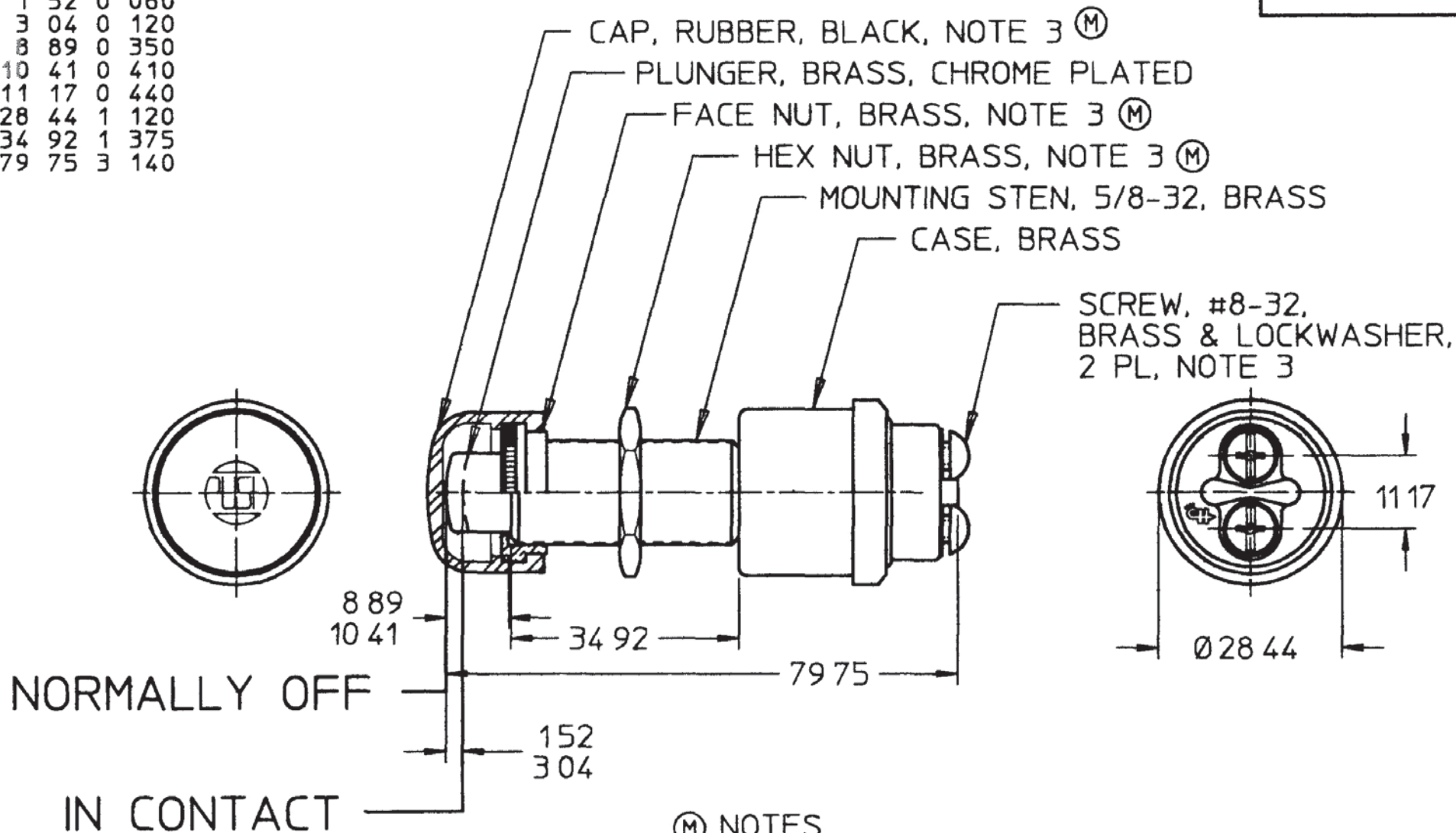
METRIC

DO NOT SCALE

LET	WAS	DATE	BY	LET	WAS	DATE	BY	MATERIAL	DRAWN	CHECKED	APPRV D	SCALE	DATE DRAWN
								NOTED	J	K	HF	1:1	12-18-87
								FINISH	 20 OLD COLONY AVENUE SOUTH BOSTON MA U.S.A 02127				DATE BLUEPRINT
								NOTED					
								TOLERANCES	HEAVY DUTY STARTER SWITCH				M612
								DECIMAL ±					
					REDRAWN	12-21-87	J	K	METRIC ±.010				

M626

MM	IN
1 52 0 060	
3 04 0 120	
8 89 0 350	
10 41 0 410	
11 17 0 440	
28 44 1 120	
34 92 1 375	
79 75 3 140	



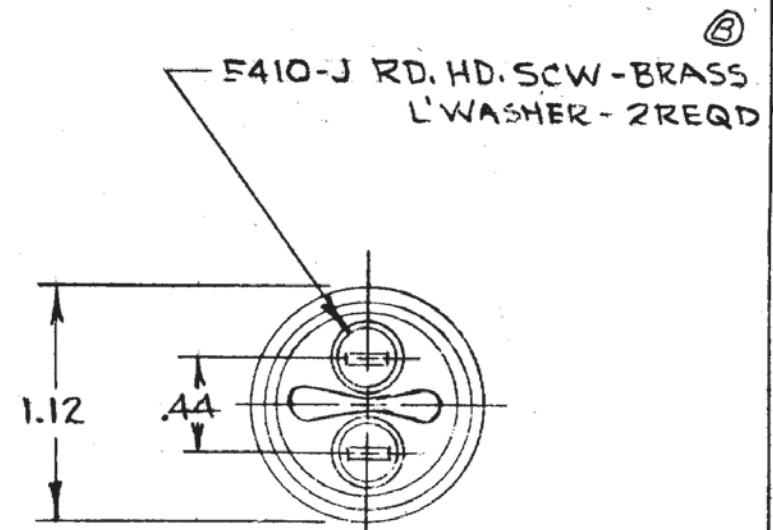
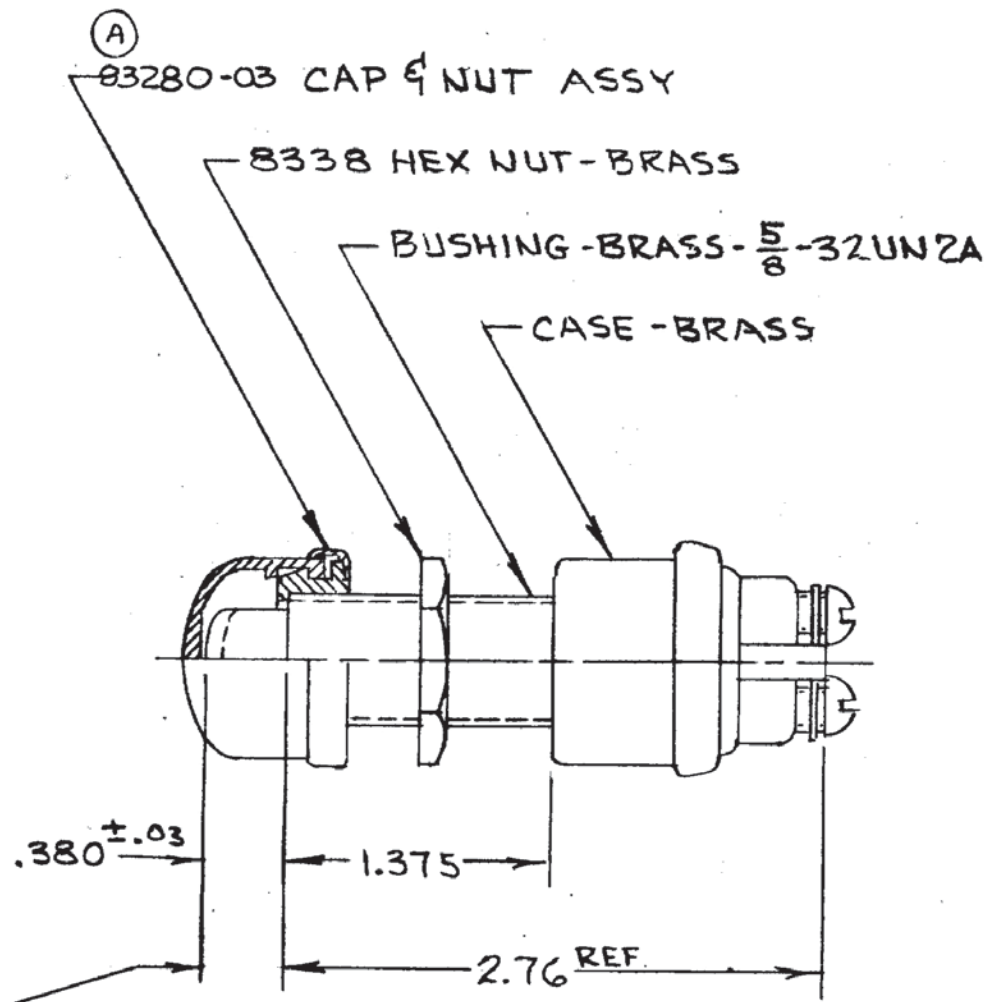
- (M) NOTES
- 1 ALL DIMENSIONS ARE REFERENCE ONLY
 - 2 RATING
12V DC 35 AMPS
24V DC 20 AMPS
 - 3 PARTS MAY BE ASSEMBLED OR SUPPLIED IN A PLASTIC BAG

METRIC

DO NOT SCALE

LET	WAS	DATE	BY	LET	WAS	DATE	BY	MATERIAL	DRAWN	CHK	APVD	SCALE	DATE DRAWN
									PLB	JmP		11	12/27/56
								FINISH	Cole Hersee Co.			DATE BLUEPRINTED	
				M	ECN #26836 BAGGED PARTS	7/25/97	AJS	TOLERANCES	SW, P-P, MOM			M626	
				L	PUT ON CAD	7/26/96	DPS	DECIMAL ± ANGLE ±					

M626-02



CONTACTS NORMALLY OPEN.
CLOSE WITH PLUNGER DEPRESSED
.060-.120 & THRU REMAINDER
OF TRAVEL.

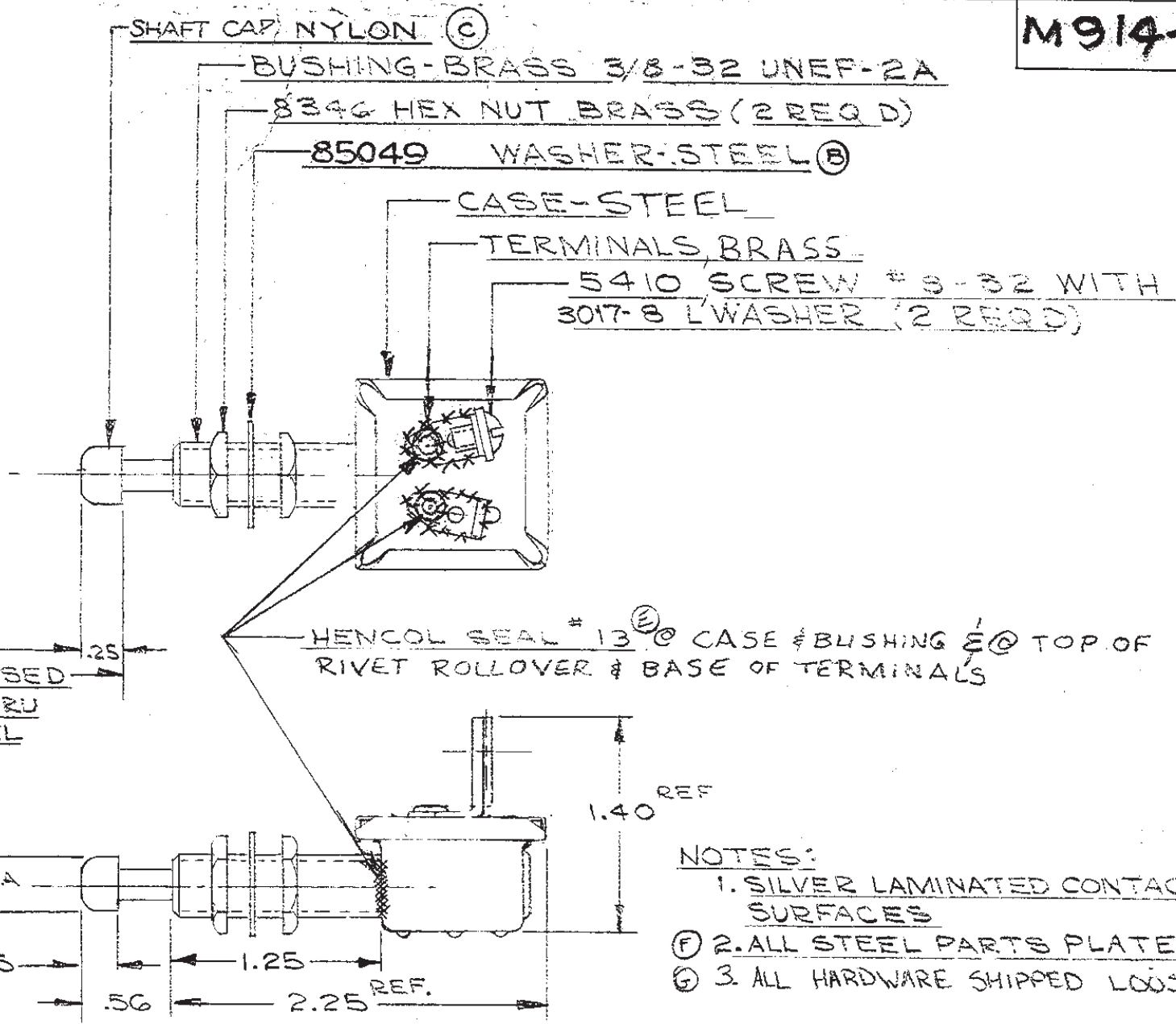
CURRENT RATINGS	
35 AMPS	12V. DC
20 AMPS	24V DC

DO NOT SCALE

LET	WAS	DATE	BY	LET	WAS	DATE	BY	MATERIAL	DRAWN	CHECKED	APPR'D	SCALE	USED ON	DATE DRAWN
								—H—	RJF	CB			M626 w/ 83280 CAP	3-1-71
								FINISH	COLE-HERSEE COMPANY					DATE BLUEPRINT
								—H—	BOSTON, MASS. 02127, U.S.A.					
				B	ECN 23741	5-19-88	JK	TOLERANCE UNLESS SPECIFIED 2 DECIMAL + .010 3 DECIMAL + .005 ANGULAR + 2°	NAME					PART NO.
				A	83280 / 20662	8-2-79	JV	STARTER SW.					M626-02	
				T	Release	3-25-71	F							

M914-01

EX 15357



- NOTES:
- 1. SILVER LAMINATED CONTACT SURFACES
 - (F) 2. ALL STEEL PARTS PLATED
 - (G) 3. ALL HARDWARE SHIPPED LOOSE

CONFIDENTIAL PROPERTY OF COLE HERSEE

DO NOT SCALE

LET	WAS	DATE	BY	LET	WAS	DATE	BY	MATERIAL	DRAWN	CHECKED	APPR'D	SCALE	USED ON M914 LESS PVC WITH EPOXY SEAL, & L'WASHER (A)	DATE DRAWN
				D	.32 DIA/21629	2-16-82	(G)		CF	LPG		FULL		3-12-68
H	ECN #09002	1-16-69	S	C	BUTTON/18761	9-6-74	BW	FINISH	COLE-HERSEE COMPANY					DATE BLUEPRINT
G	ECN #299113	5/13/69	KF	B	1220/12978	8-3-70	JH							
F	2AD OR ZINC/25234	12/23/62	JH	A	ADDED/16910	2-18-70	JH	TOLERANCE UNLESS SPECIFIED 2 DECIMAL + .010 3 DECIMAL + .005 ANGULAR + 2°	NAME NORMALLY ON PLUNGER SWITCH					PART NO.
E	REVISED HENCOL SEAL	3/27/84	PS		ISSUED	3-17-64	7							M914-01