

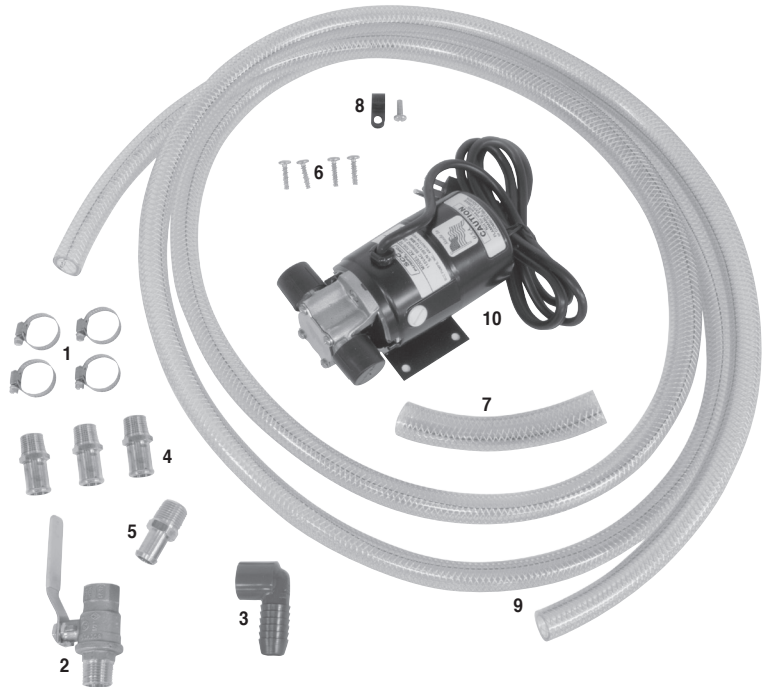
# TRUCK DRAIN PUMP INSTALLATION INSTRUCTIONS

CAUTION: Not for use with FLAMMABLE, EXPLOSIVE or COMBUSTIBLE LIQUIDS.

1. 1" Hose Clamp (4x)
2. Ball Valve
3. 90° Combination Elbow
4. 3/8" MNPT x 5/8" Hose Barb Adapter (3x)
5. 1/2" MNPT x 5/8" Hose Barb Adapter
6. High-Low Screw (4x)
7. 5-3/8" Hose
8. Cable Clamp w/ Screw
9. 12' Hose
10. 115v AC Electric Pump

**IMPORTANT:** If reusing fluid, strain first. Do not run pump dry. See instruction sheet included with pump for additional safety information.

Use of pipe thread sealant is recommended on all threaded connections.



1. Remove hex head threaded plug from Truck Drain with 3/4" socket or wrench. Figure A.
2. Insert 3/8" MNPT x 5/8" Hose Barb Adapter (4) into Truck Drain. **IMPORTANT:** Do not over tighten Adapter. Snug only.
3. Insert 3/8" MNPT x 5/8" Hose Barb Adapters (4) into inlet and outlet ports on Electric Pump (10). Figure B.
4. Use 1" Hose Clamp (1) to secure 5-3/8" Hose (7) to 5/8" Hose Barb Adapter in inlet port on Electric Pump.
5. Attach other end of 5-3/8" hose to 5/8" Hose Barb Adapter on Truck Drain with 1" Hose Clamp.
6. Use High-Low Screws (6) to secure Electric Pump to Truck Drain. **IMPORTANT:** Do not over tighten screws. Figure C.
7. Slip Cable Clamp (8) on to Electric Pump power cord and secure to Truck Drain with screw. Mounting hole can be seen near Pump outlet in Figure C.
8. Use 1" Hose Clamp (1) to secure 12' Hose (9) to 5/8" Hose Barb Adapter in outlet port on Electric Pump.
9. Insert 1/2" MNPT x 5/8" Hose Barb Adapter (5) and 90° Combination Elbow (3) into Ball Valve (2).
10. Use 1" Hose Clamp (1) to secure Valve Assembly to 12' Hose. Figure D.

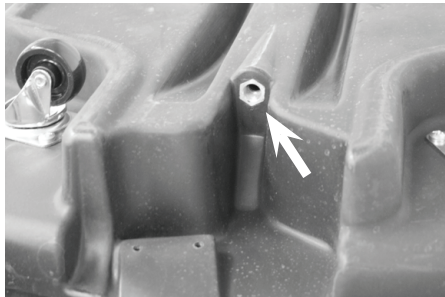


Figure A



Figure B



Figure C



Figure D