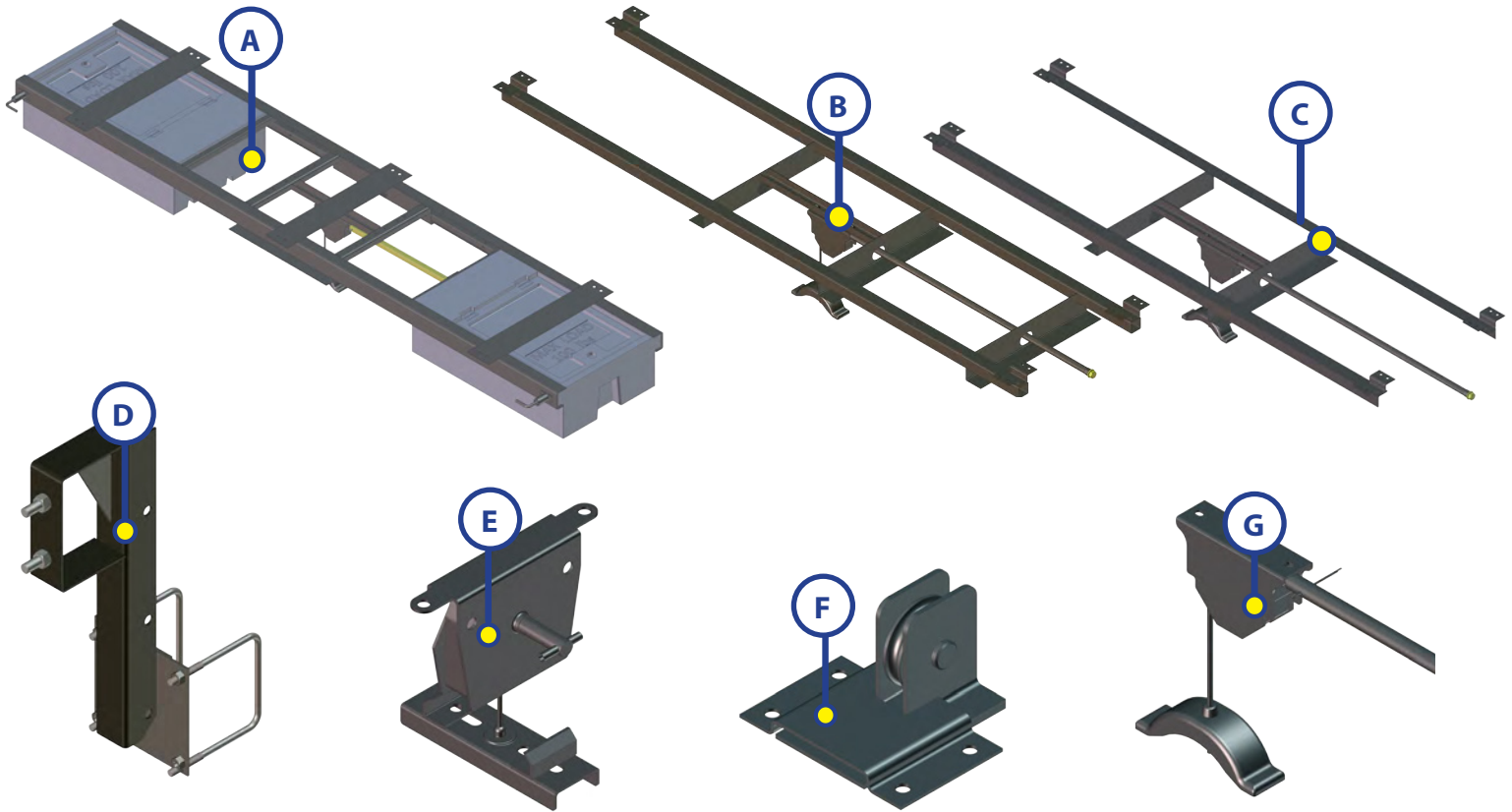




LIPPERT  
COMPONENTS

# SPARE TIRE AND WINCH COMPONENTS

## STORAGE AND CONVENIENCE



Callout	Part #	Description
A	125460	Sliding Spare Tire Rack with Crank Handle and Reach Rod
B	216793	Spare Tire Carrier Winch and Extension
C	146384	Spare Tire Carrier
	159041	Spare Tire Carrier with Offset Winch
D	202403	Spare Tire Carrier Bumper Mount
	196297	Spare Tire Carrier Hitch Mount
E	131560	Spare Tire Winch with Roll Pin
F	252102	Winch Roller
G	139211	Winch Assembly with 21 3/4" Extension
	139200	Winch Assembly with 24" Winch Crank Extension
	159491	Offset Winch with 25" Extension
	164898	Offset Winch with 35 1/2" Extension
	166781	Offset Winch with 18 3/4" Extension
	163421	Offset Winch with 16" Extension and Cotter Pin
	163422	Offset Winch with Spiral Pin
	178746	Offset Winch with Roll Pin
	131556	Spare Tire Winch
	159056	Spare Tire Winch with Offset Cable