

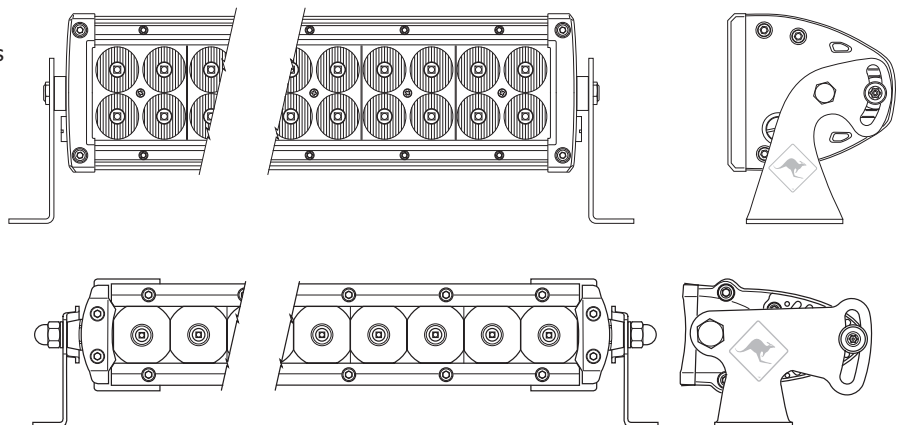
---

## LIGHTFORCE LED LIGHT BAR PRODUCT INFORMATION

The Light bar range utilises high output European LEDs tuned within the reflectors to produce unparalleled performance in its class. With multiple mounting options available and complete with a waterproof Deutsch connector – including full wiring harness – the Lightforce LED Light Bar range delivers powerful performance in a simple package.

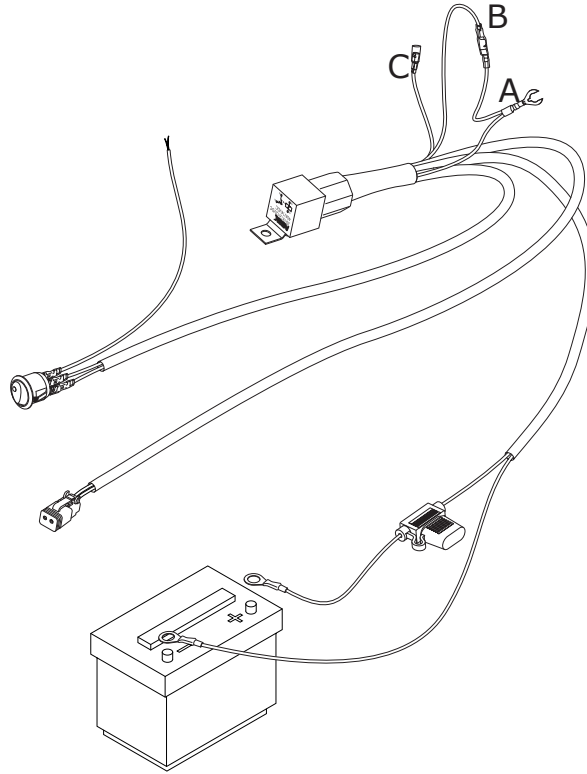
### FEATURES:

- Extruded aluminium body with black anodized coating
- IP69K rated to protect against moisture / contaminant ingress
- Hard coated, scratch and high impact resistant polycarbonate lens
- Custom fabricated dual injected moulded strain relief connector, fitted to military specification grade cable
- Waterproof membrane with mechanical seal
- Submersible to 3 meters (3.28 ft)
- Over, under and reverse voltage protection
- Pulse width modulation thermal management circuitry
- Electromagnetic (EMC) and radio frequency (RFI) reduction circuitry
- Stainless steel brackets and mounting hardware
- Comprehensive wiring harness
- Broad operating voltage range of 10 ~ 36 volts
- Deutsch waterproof connectors
- RoHS certified
- 3 Year warranty
- Colour temperature 5000K





The LED Light bars come complete with a full wiring harness incorporating a 40 amp relay fully terminated two pin waterproof Deutsch connector, inline fuse and illuminated switch.

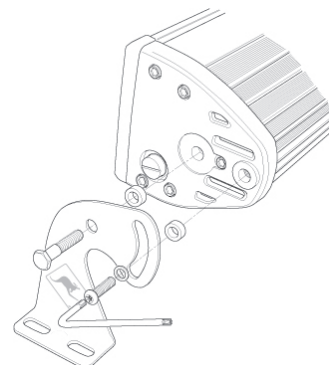
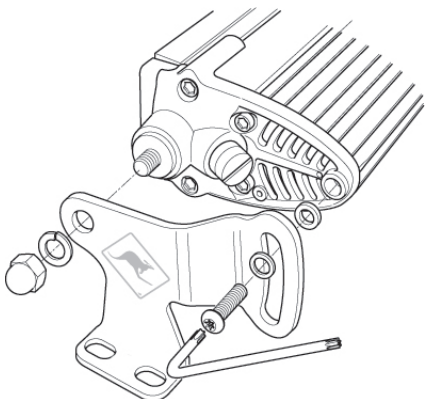


1. Mount light in a suitable position
2. Fit relay in a dry location
3. Connect the red ring terminal to the positive side of the battery and the black ring terminal to the negative side of the battery
4. Connect red wire from switch to high beam circuit
5. Position switch in a dry location
6. Run cables to light
7. Fit two pin waterproof Deutsch plug to socket on light
8. Ensure all cable are securely fitted

Some automotive manufacturers use the negative circuit to activate the high beam. In this situation, unplug A (black wire with the open ring) from B (blue wire). A is not used and remains disconnected. Plug C (red wire) into B (blue wire).

Stainless Steel brackets are included with all bars, the single row bars have a left and a right hand side bracket (Lightforce logo faces out) and cannot be interchanged, as shown in Fig 1.

The dual row bars have reversible brackets so the bracket can be facing in or out dependent on mounting options.





#### Use of personal information:

This warranty will not apply if you do not supply to us or to our Lightforce Affiliates information that we reasonably request to enable us to perform our obligations under this warranty. You have the right to access your personal contact information and request correction of any errors in it pursuant to the Privacy Act 1988 by contacting Lightforce.

#### Limitation of liability:

Where permitted, or not prohibited, under any law, including under the Australian Consumer Law, Lightforce's and Lightforce Affiliates' liability in respect of any defect in materials or workmanship or in respect of a product which is not otherwise of acceptable quality (within the meaning of the Australian Consumer Law), is limited at the option of Lightforce, to:

- (a) The replacement or repair of the product,
- (b) The payment of the cost of replacing or repairing the product; or
- (c) The payment of the cost of acquiring an equivalent product

Accordingly, to the extent permitted or not prohibited under any law (including the Australian Consumer Law):

(a) neither Lightforce nor any Lightforce Affiliates are liable under any circumstances (including in contract, negligence or other tort, or under any other legal doctrine) for:

- 1) third party claims against you for damages;
- 2) special, incidental, punitive, indirect or consequential damages, including but not limited to lost profits, business revenue, goodwill or anticipated savings; and

(b) in no case does the total liability of Lightforce, Lightforce Affiliates, or their respective suppliers, resellers or service providers to any person for damages from any cause (including in contract, negligence or other tort, or under any other legal doctrine), in connection with the supply of a product exceed the lesser of the actual direct damages of that person and the amount paid for the product by that person.

The foregoing limitations do not apply to damages for bodily injury (including death), damage to real property or damage to tangible personal property for which Lightforce is liable under any non - excludable law.

Model	Current Draw @ 12v	Wattage	LED quantity	Weight - light only
6" Single Row 5W	2.42A	30W	6 PCS	0.48 kg / 1.06 lbs
6" Dual Row 5W	2.5A	60W	12 PCS	1.28 kg / 2.8 lbs
10" Single Row 5W	3.3A	50W	10 PCS	0.78 kg / 1.7 lbs
10" Dual Row 5W	4.1A	100W	20 PCS	1.82 kg / 4 lbs
20" Single Row 5W	6.7A	100W	20 PCS	1.26 kg / 2.7 lbs
20" Dual Row 5W	12.7A	200W	40 PCS	3.17 kg / 7 lbs
30" Single Row 5W	9.3A	150W	30 PCS	3 kg / 6.6 lbs
30" Dual Row 5W	12.7A	300W	60 PCS	4.8 kg / 10.5 lbs