



INSTALLATION INSTRUCTIONS

**Legato Performance Exhaust Kit #LEX4101
For 2011-'12 Ford Mustang GT 5.0L/5.4L V8
409 Stainless Steel w/304 Stainless Steel Tips**

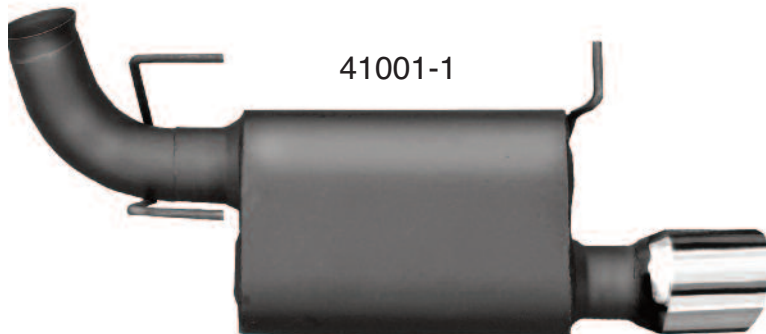
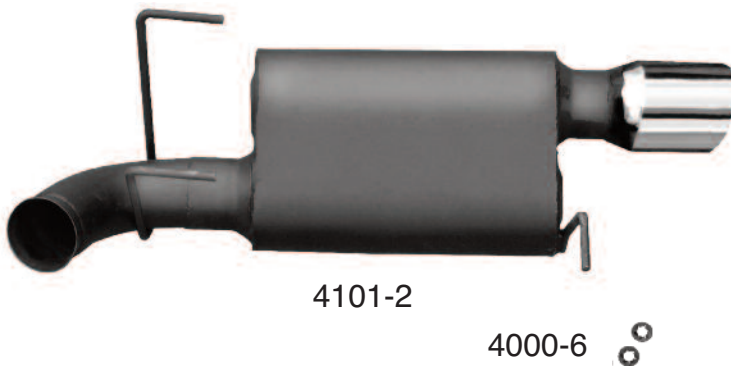
Removal of Stock System:

1. If a hoist or rack is available, raise the vehicle to a comfortable working height. If no lift is available you can jack up the vehicle and support it with jackstands. Make sure that the vehicle is safely positioned on the jackstands before getting under it.
2. Remove the two 15mm bolts that secure the upper panhard bar/brace to the body on the left side, just ahead of the muffler. Pull the bar down to gain space for the removal of the muffler.
3. Loosen the 13mm nuts on the clamped connections between the mufflers and the over the axle tailpipes. The bolts need to be backed out to the end of the threads so the clamp can be opened enough to allow the flared ball connection of the inlet pipe to be removed.
4. There are three hanger rods on each muffler, two in the front and one at the back. Separate the rear hanger rods from the rubber mount first and then slide the muffler forward and out of the front mounts. A silicone spray lubricant will help the hangers slip out.
5. The factory clamps will be used to install the new mufflers. However the clamps are fastened to the

mufflers with a small tab and will need to be removed. Wiggle the clamp back and forth until the connection breaks loose.

Installation of the Legato Exhaust System:

1. Place the factory clamps you removed from the stock mufflers onto the inlet pipes of the Legato mufflers. Slide the forward hanger rods into the rubber mounts and then secure the rear hanger rod. Now the ball connection on the inlet pipe can be connected to the over the axle pipes. Level the muffler and tighten the clamp enough to hold the muffler in position.
2. Push the upper panhard bar back into position and re-attach with the original bolts.
3. Adjust the position of the mufflers to provide a satisfactory fit. A minimum clearance of 1/2" must be maintained between the exhaust kit components and the other parts of the vehicle, keeping in mind the suspension travel and potential vibration. After all adjustments have been made, tighten the clamps and push the Hanger Keepers onto the rear hanger rods to prevent the rods from slipping out of the rubber mounts.



KIT CONTENTS		
Qty	Description	Pt. No.
1	Muffler (Left)	4101-1
1	Muffler (Right)	4101-2
Parts Kit		
2	Hanger Keepers	4000-6

**100%
Stainless
Steel**

Legato Performance Exhaust Kit #LEX4101 For 2011-'12 Ford Mustang GT 5.0L/5.4L V8