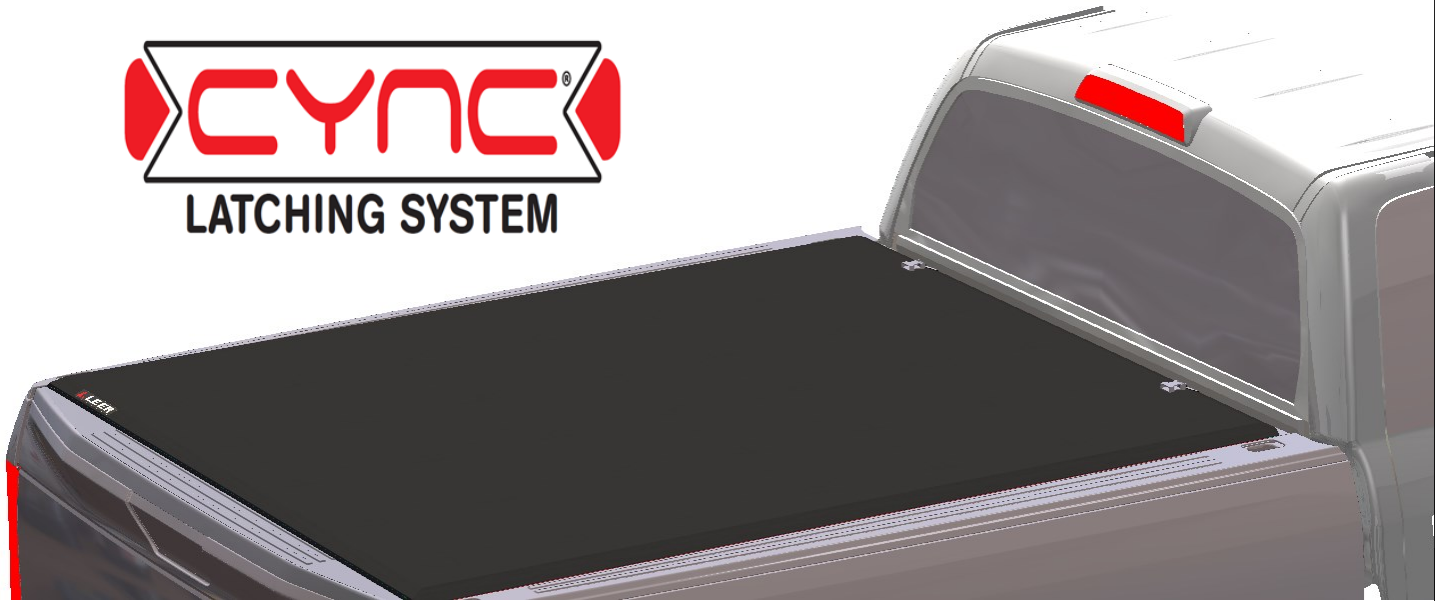


LEER®

SR 250

WITH LEER'S EXCLUSIVE



INSTALLATION INSTRUCTIONS

Thank you for purchasing the LEER[®] SR 250 soft rolling tonneau cover. At LEER, we looked at ways to make it better, front to back and inside out. We engineered components with new innovations at every point including our CYNCR[™] latching system (patented). The result is a soft rolling cover that's unlike any cover on the road today.

NOTICE TO INSTALLER: It is recommended you take time to read these instructions before installing the cover even if already familiar with the product. Improvements are often made without prior notice. Always handle the cover and components with care to avoid damage. If you find a part missing or defective, or if you have trouble installing this product, please have the model number ready (located on a tag under the first panel) and call your dealer. When done, these instructions and warranty information must be given to the customer to keep.

NOTICE TO CUSTOMER: Before using this product, read the operating instructions, maintenance and safety sections of this owner's manual and save for future reference. Your new LEER tonneau must be registered to make the warranty valid. Registration information can be found on the back page.

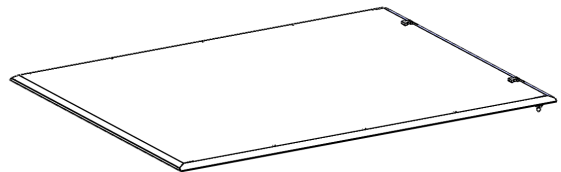
TABLE OF CONTENTS

Master Carton Components2
 Hardware Box Contents.....2
 Pre-Preparation3
 Installing Rail System3
 Installing Clamps3
 Installing Cover4-5
 Adjusting for Tautness (If Needed)5
 Replacement Parts6-7

***Unpack components and inspect for missing or damaged components.
 Open the truck's tailgate and clean truck bed if dirty.***

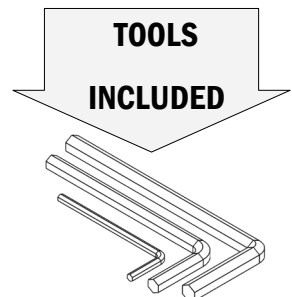
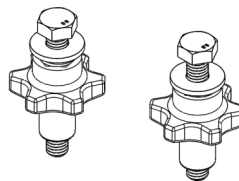
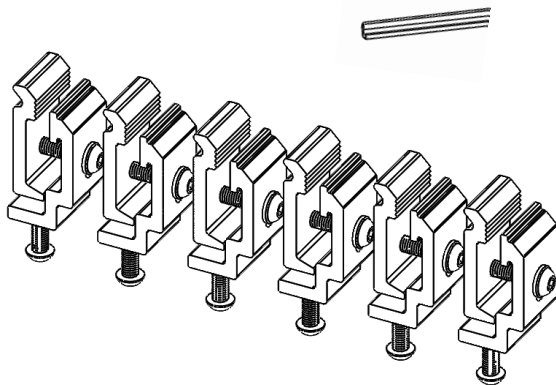
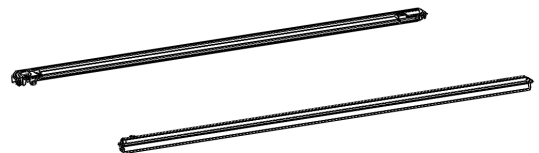
MASTER CARTON COMPONENTS

- 1 SOFT COVER ASSEMBLY
- 1 HARDWARE PACKAGE (See Details Below)
- 1 EACH LEFT HAND RAIL
- 1 EACH RIGHT HAND RAIL
- 1 EACH BULKHEAD SEAL



HARDWARE BOX CONTENTS

- 6 EACH CLAMP ASSEMBLY (STYLE VARIES PER CLAMP KIT)
- 2 EACH FRONT CROSSBAR HOLD DOWN
- 1 EACH 2.5MM ALLEN WRENCH
- 1 EACH 5MM ALLEN WRENCH
- 1 EACH 6MM ALLEN WRENCH



INSTALLATION INSTRUCTIONS

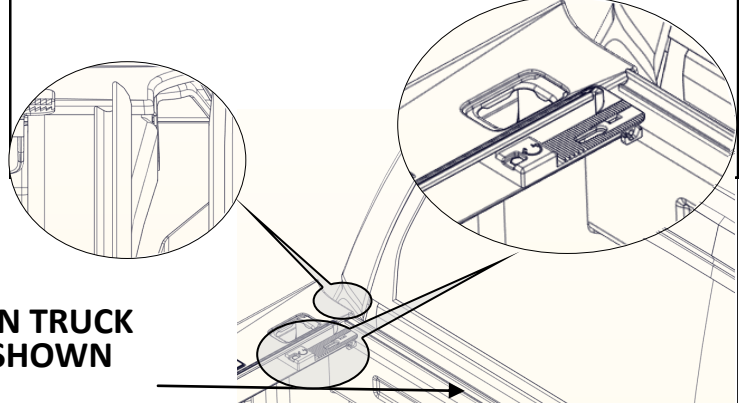
1 PRE-PREPARATION



**WASH TRUCK BOX
IF DIRTY**

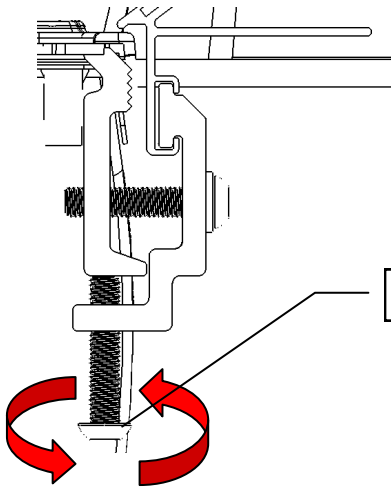
2 INSTALLING RAIL SYSTEM

**PLACE LEFT HAND RAIL NOTCH
FLUSH AS SHOWN. (INSTALL SAME ON RIGHT SIDE)**



**INSTALL BULKHEAD SEAL ON TRUCK
BULKHEAD IN LOCATION SHOWN**

3 INSTALLING CLAMPS



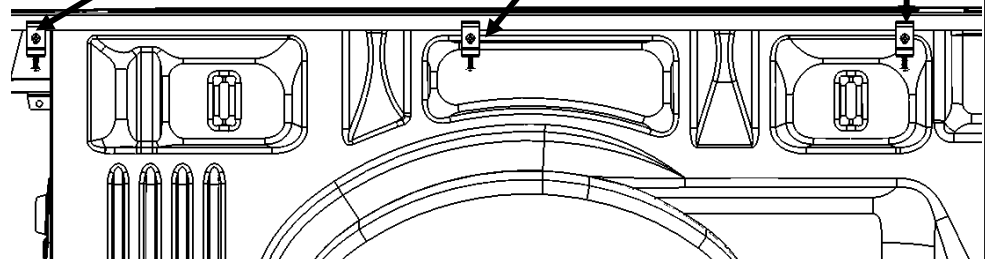
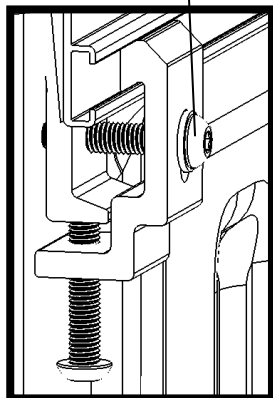
STEP 1:

**USE THESE THREE LOCATIONS TO PLACE CLAMP IN-
SIDE BED CHANNEL RAIL AS SHOWN. TIGHTEN
LOWER SCREW BY HAND UNTIL CONTACT IS MADE.
(CLAMP KIT STYLES VARY)**

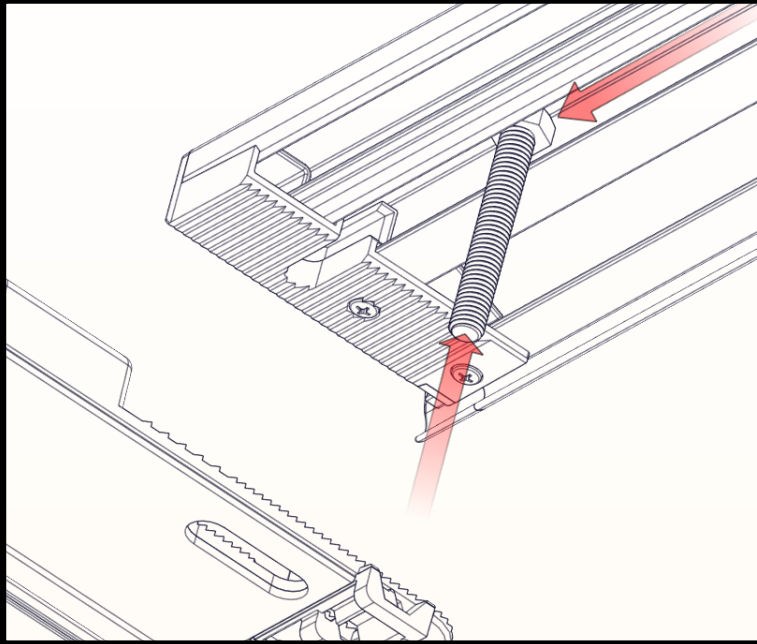
LOWER SCREW

CLAMP SCREW

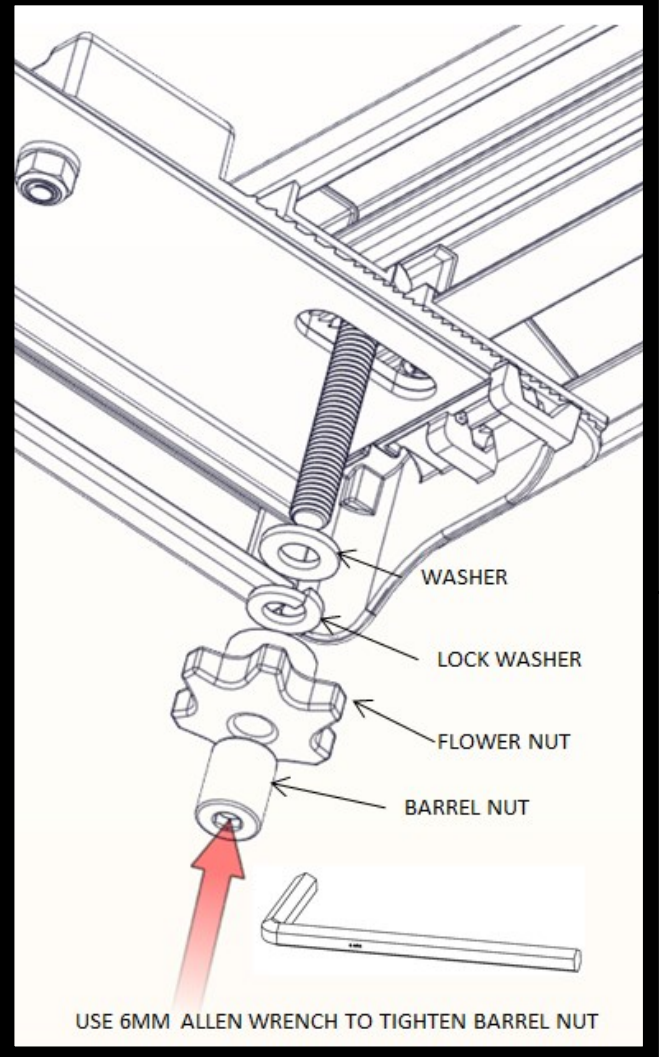
**STEP 2: TIGHTEN CLAMP SCREWS USING 5
MM ALLEN AS SHOWN. ONCE TIGHTENED
YOU MAY REMOVE LOWER SCREWS, RETAIN
THEM IF LATER ADJUSTMENTS ARE NEEDED.
(REPEAT STEPS FOR RIGHT HAND SIDE)**



4 **INSTALLING THE COVER**

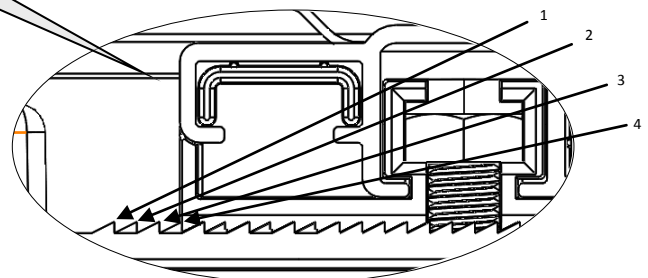
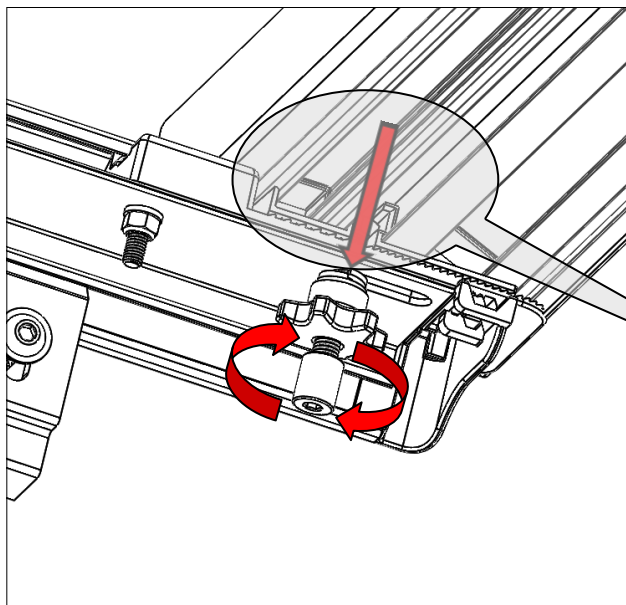


PLACE BOLTS IN FRONT OPEN SLOT AS SHOWN ABOVE.

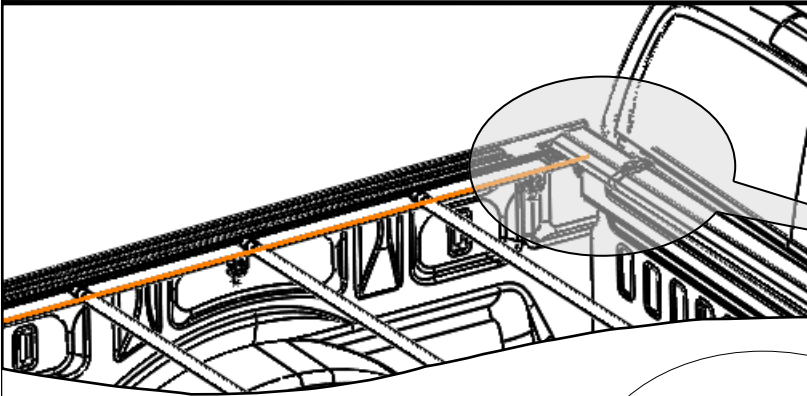


PLACE FRONT CROSS BAR BOLTS INSIDE RAIL SLOTS AS SHOWN ABOVE. LINE UP COVER ASSEMBLY ON FOURTH TOOTH AS SHOWN BELOW. FRONT SHIELD SHOULD BE PULLED OUT. SEE ABOVE FOR FASTENER ASSEMBLY SEQUENCE.

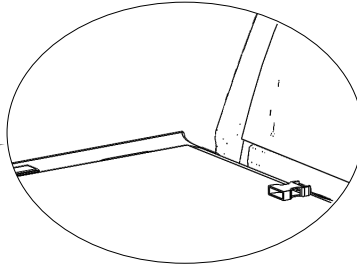
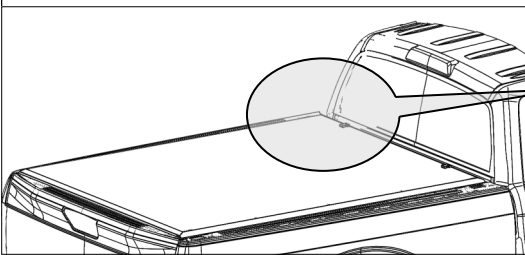
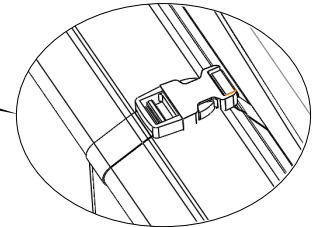
*** REPEAT FOR OPPOSITE SIDE**



4 INSTALLING THE COVER

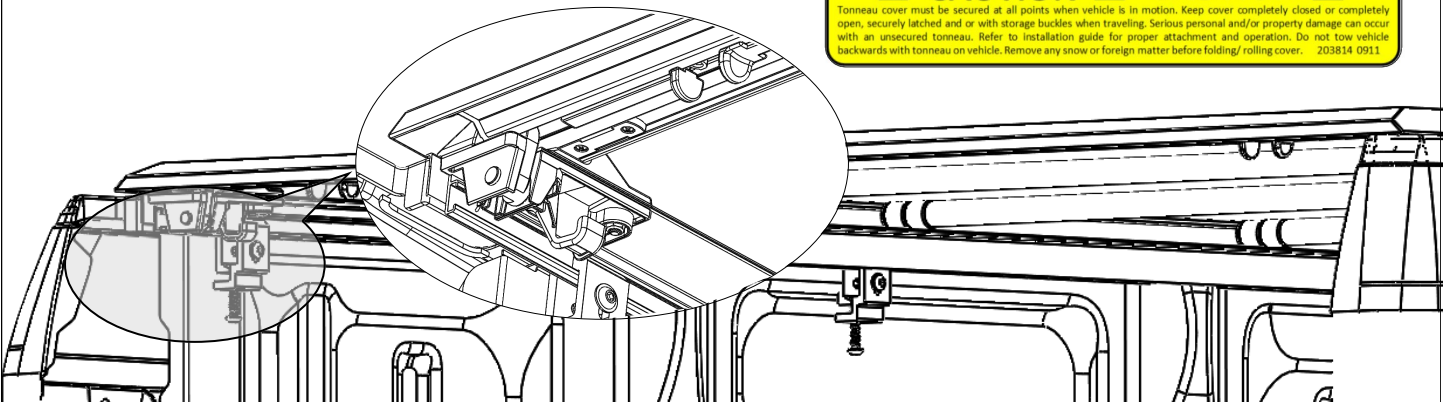


REMOVE CLIPS AND ROLL DOWN COVER AS SHOWN.

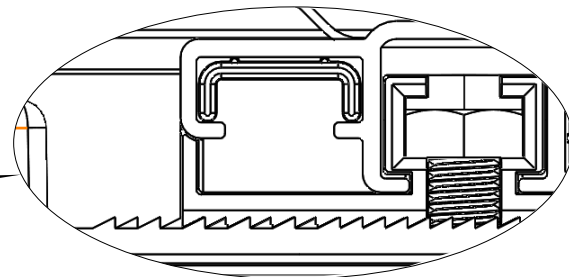
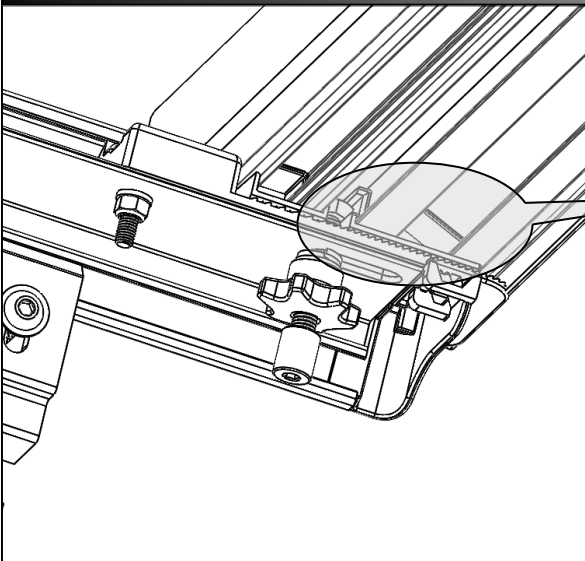


FOLD DOWN THE COVER AS SHOWN FOR CYNC LATCH ENGAGEMENT.

⚠ CAUTION ⚠ CAUTION ⚠
Tonneau cover must be secured at all points when vehicle is in motion. Keep cover completely closed or completely open, securely latched and or with storage buckles when traveling. Serious personal and/or property damage can occur with an unsecured tonneau. Refer to installation guide for proper attachment and operation. Do not tow vehicle backwards with tonneau on vehicle. Remove any snow or foreign matter before folding/rolling cover. 203814 0911



5 ADJUSTING FOR TAUTNESS OF COVER (IF NEEDED)



←
LOOSEN COVER

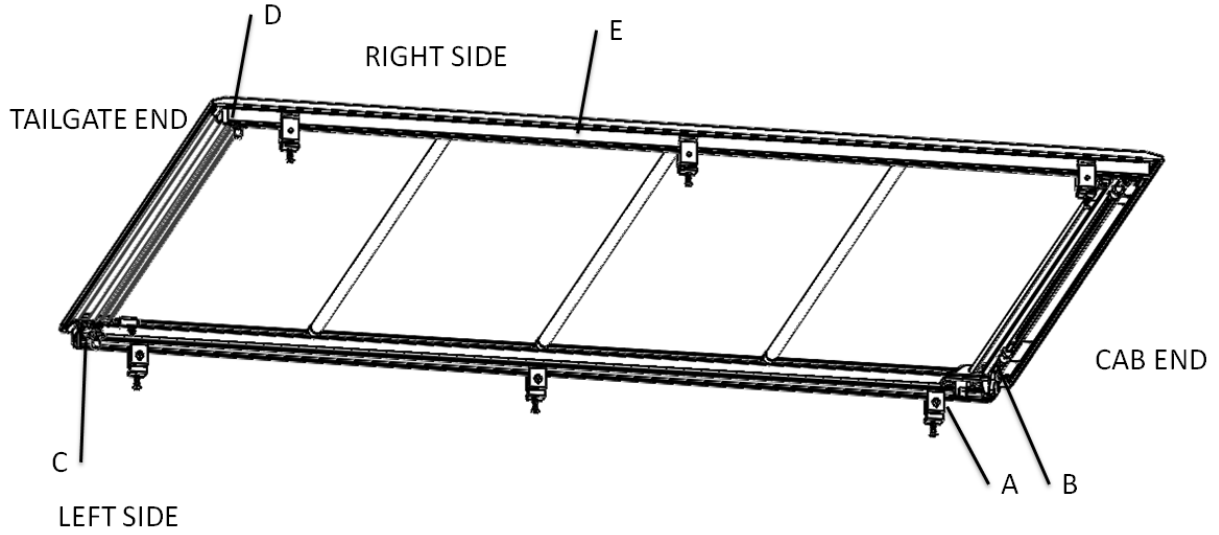
**(MOVE OVER TEETH
TOWARD REAR TAIL GATE)**

→
TIGHTEN COVER

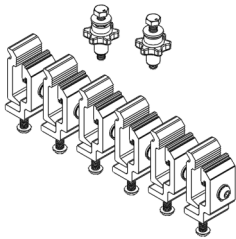
**(MOVE OVER TEETH
TOWARD FRONT OF BED)**

IDENTIFIER	DESCRIPTION	QUANTITY	ITEM NUMBER	QTY ORDERED
A	LEER SR250 CLAMP KITS	1 EACH		
B	FRONT PART KIT	1 EACH	208388	
C	CYNC LATCH KIT	1 EACH	209037	
D	REAR LOCK KIT	1 EACH	208389	
E	RAIL SEAL KIT	1 EACH		

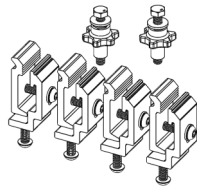
	PART NUMBER	DESCRIPTION	CLAMP KIT (A)	RAIL SEAL KIT (E)
FORD	610284	56FF04 2004-14 Ford F150 5'6"	206660	209041
	610285	66FF04 2004-14 Ford F150 6'6"	206660	209041
	610112	56FF15 2015+ Ford F150 5'6"	206660	209041
	610169	66FF15 2015+ Ford F150 6'6"	206660	209041
	610149	65FSD 2008-16 Ford Super Duty 6'9"	206660	209039
	610400	69FS17 2017+ Ford Super Duty 6'9"	206660	209041
CHEVY/GMC	610123	58GSO 2007-13 GM Silverado/Sierra 5'8"	206660	209038
	610159	65GSO 2007-13 GM Silverado/Sierra 6'6"	206660	209038
	610120	58GS14 2014-18 GM Silverado/Sierra 5'8"	206660	209038
	610170	66GS14 2014-18 GM Silverado/Sierra 6'6"	206660	209038
	610300	58GS19 2019+ GM Silverado/Sierra 5'8"	206660	209038
	610301	66GS19 2019+ GM Silverado/Sierra 6'6"	206660	209038
	610105	52GC15 2015+ GM Colorado/Canyon 5'2"	206660	209038
	610130	62GC15 2015+ GM Colorado/Canyon 6'2"	206660	209038
DODGE	610117	57DR09 2009-18 Dodge Ram 5'7"	206660	209039
	610137	64DR09 2009-18 Dodge Ram 6'4"	206660	209039
	610298	57DR19 2019+ Dodge Ram 5'7"	206660	209040
	610299	64DR19 2019+ Dodge Ram 6'4"	206660	209040
TOYOTA	610286	52TC16 2016+ Toyota Tacoma 5'2" w/Track	208933	209042
	610288	62TC16 2016+ Toyota Tacoma 6'2" w/Track	208933	209042
	610289	56TT14 2014+ Toyota Tundra 5'6" w/Track	208930	209041
	610290	66TT14 2014+ Toyota Tundra 6'6" w/Track	208930	209041
NISSAN	610115	56NT16 2016+ Nissan Titan 5'6" w/wo/Track	208940	209043
	610172	66NT16 2016+ Nissan Titan 6'6" w/wo/Track	208940	209043



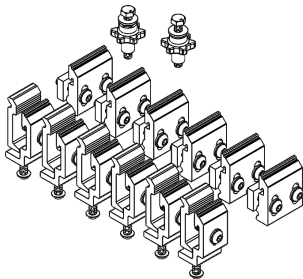
A LEER SR250 CLAMP KITS



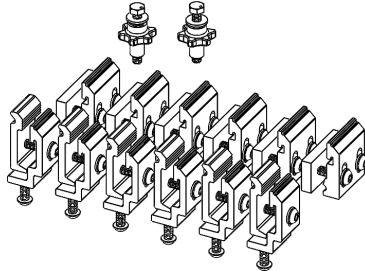
#206660



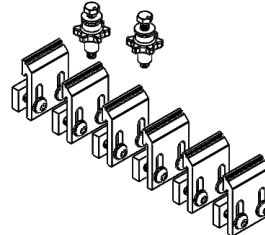
#206661



#208930



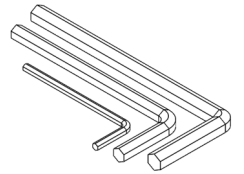
#208940



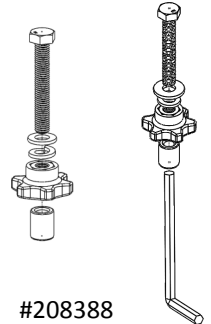
#208933

KITS A BOX CONTENTS

- 1 KIT CLAMP KIT ASSEMBLIES (STYLE VARIES PER CLAMP KIT)
- 1 EACH 2.5MM ALLEN WRENCH
- 1 EACH 5MM ALLEN WRENCH
- 1 EACH 6MM ALLEN WRENCH
- 1 EACH FRONT PART KIT

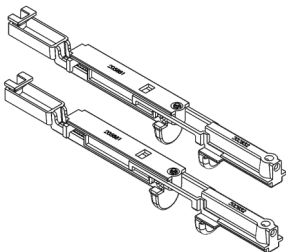


B FRONT PART KIT



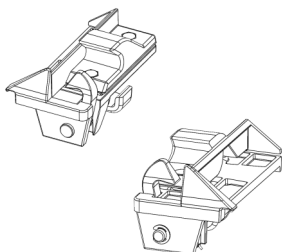
#208388

C CYNCR LATCH KIT



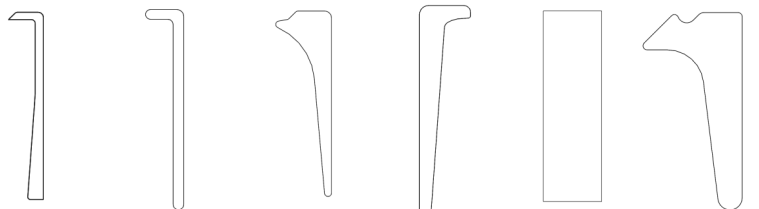
#209037

D REAR LOCK KIT



#208389

E RAIL SEAL KITS (INCLUDES BULKHEAD SEAL)



#209038

#209039

#209040

#209041

#209042

#209043