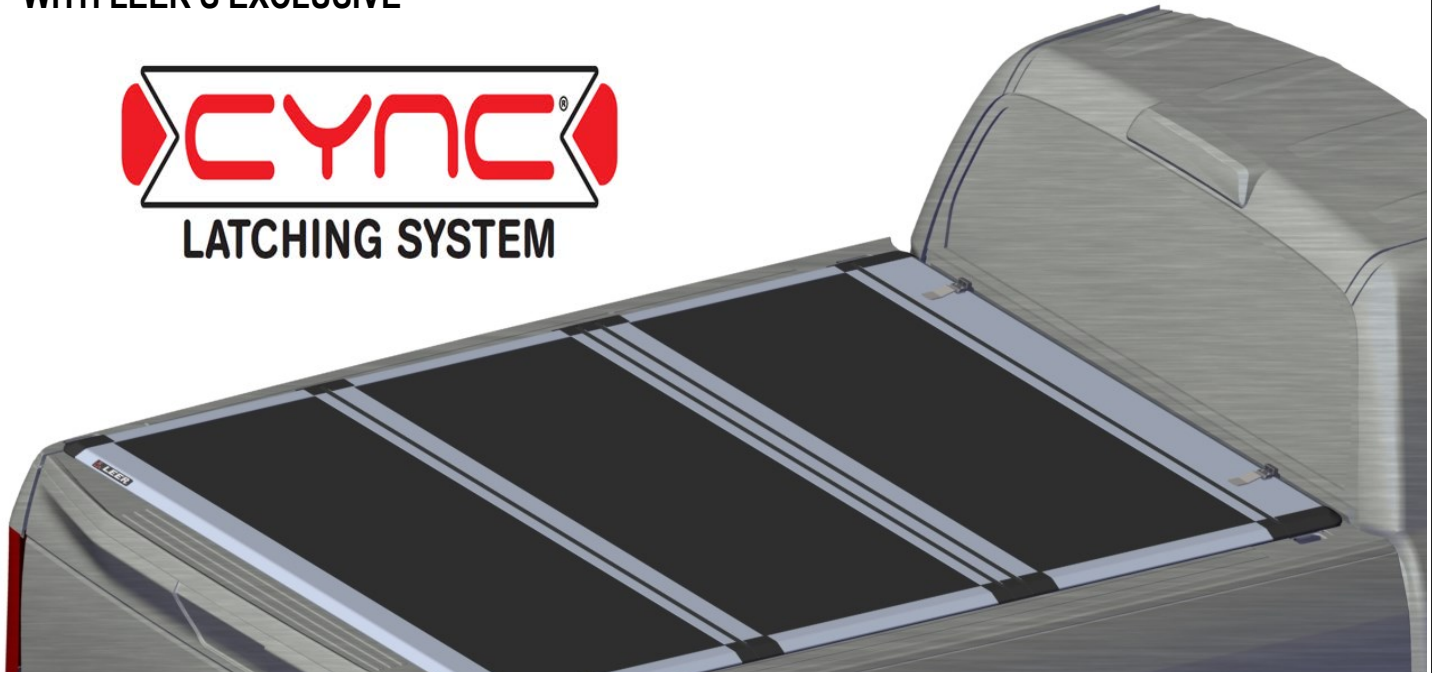


LEER® HF 350M

WITH LEER'S EXCLUSIVE



INSTALLATION INSTRUCTIONS

Thank you for purchasing the LEER® HF 350M hard tri-fold tonneau cover. At LEER, we looked at ways to make it better, front to back and inside out. We engineered components with new innovations at every point including our CYNC™ latching system (patented). The result is a tri-fold that's unlike any cover on the road today.

NOTICE TO INSTALLER: It is recommended you take time to read these instructions before installing the cover even if already familiar with the product. Improvements are often made without prior notice. Always handle the cover and components with care to avoid damage. If you find a part missing or defective, or if you have trouble installing this product, please have the model number ready (located on a tag under the first panel) and call your dealer. When done, these instructions and warranty information must be given to the customer to keep.

NOTICE TO CUSTOMER: Before using this product, read the operating instructions, maintenance and safety sections of this owner's manual and save for future reference. Your new LEER tonneau must be registered to make the warranty valid. Registration information can be found on the back page.

Master Carton Components	2
Hardware Box Contents.....	2
Pre-Preparation	3
Installing Rail System	3
Installing Clamps	3
Installing Cover	4
Adjusting for Squareness (If Needed)	5
Secondary Tie Down with Security Buckles	6
Installing Prop rods.....	7
Replacement Parts	8-10

***Unpack components and inspect for missing or damaged components.
Open the truck's tailgate and clean truck bed if dirty.***

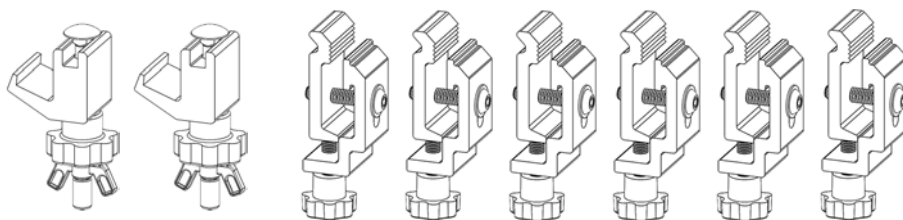
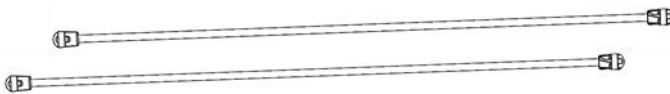
MASTER CARTON COMPONENTS

- 1 HARD COVER ASSEMBLY (A)
- 1 HARDWARE PACKAGE (See Details Below)



HARDWARE BOX CONTENTS

- 1 EACH LEFT HAND RAIL
- 1 EACH RIGHT HAND RAIL
- 6 EACH CLAMP ASSEMBLY (STYLE VARIES PER CLAMP KIT)
- 2 EACH KNOB TIE DOWN
- 1 EACH BUTYL TAPE
- 1 EACH 2.5MM ALLEN WRENCH
- 1 EACH 5MM ALLEN WRENCH



**TOOLS
INCLUDED**



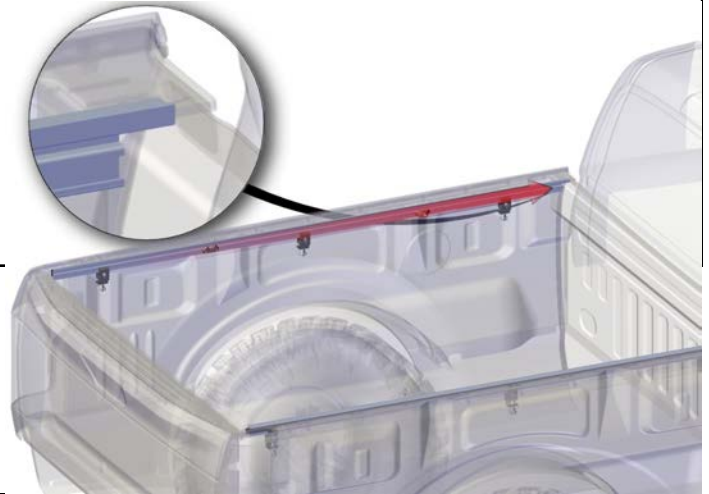
1 PRE-PREPARATION



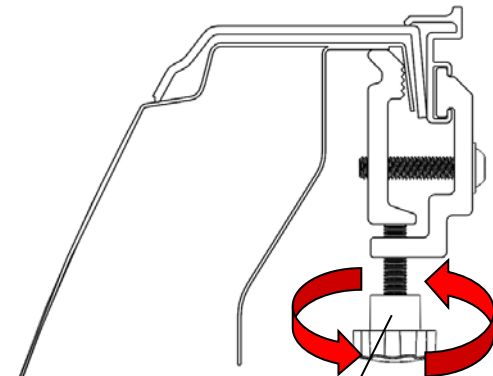
**WASH TRUCK BOX
IF DIRTY**

2 INSTALLING RAIL SYSTEM

**PLACE LEFT HAND RAIL NOTCH
FLUSH AS SHOWN. (INSTALL SAME ON RIGHT SIDE)**



3 INSTALLING CLAMPS



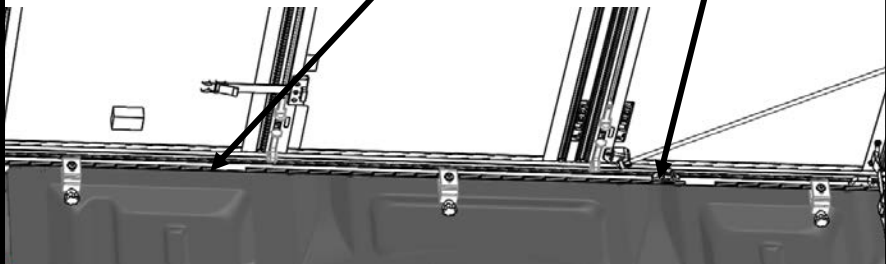
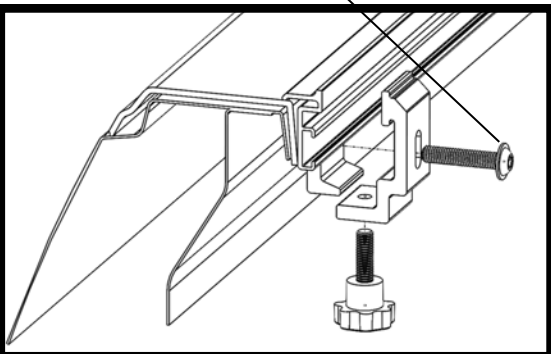
FLOWER
NUT

5 MM SCREW

STEP 1:

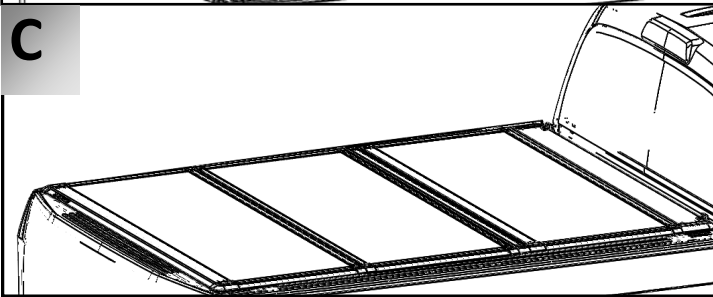
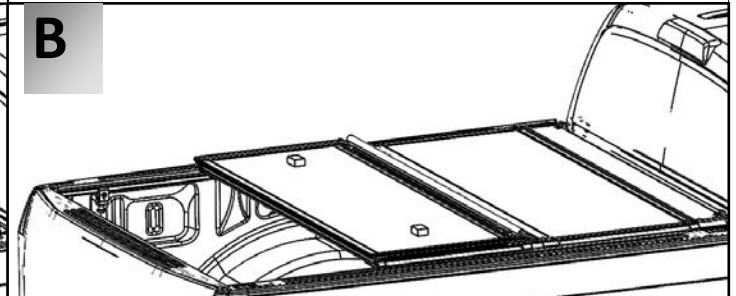
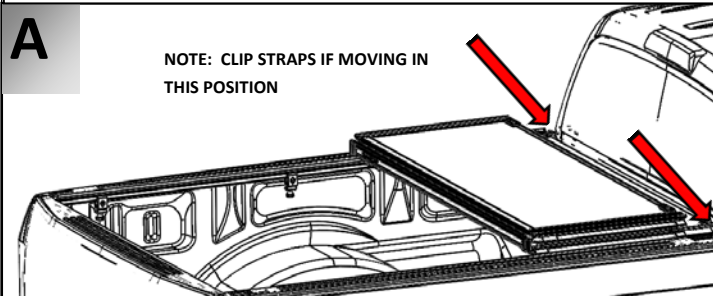
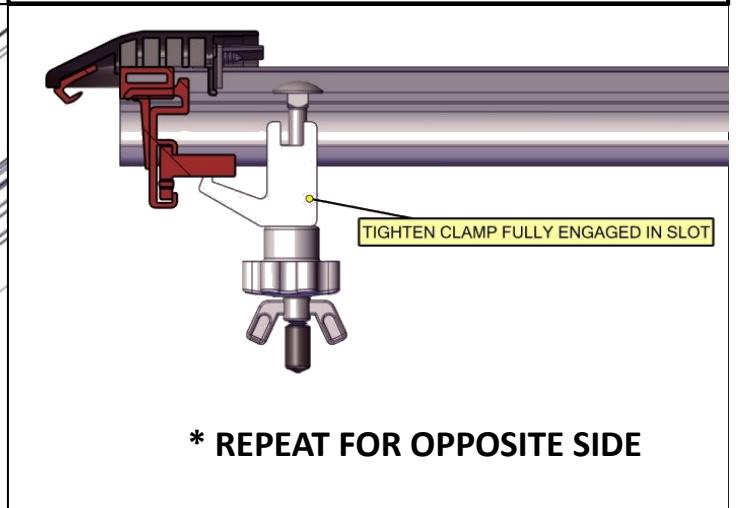
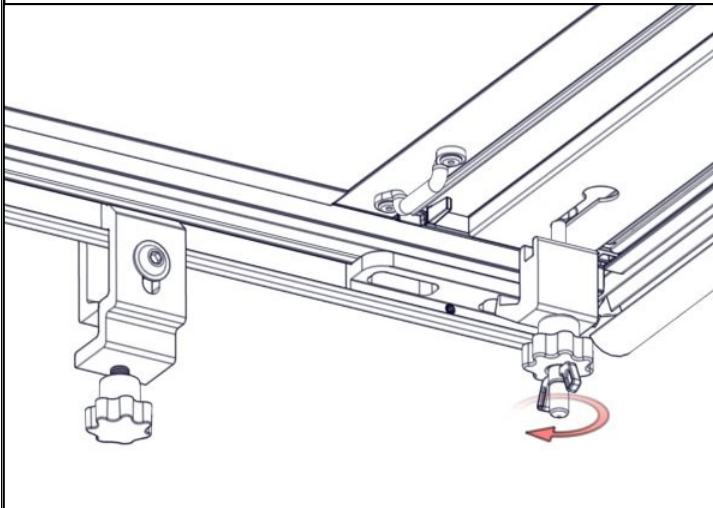
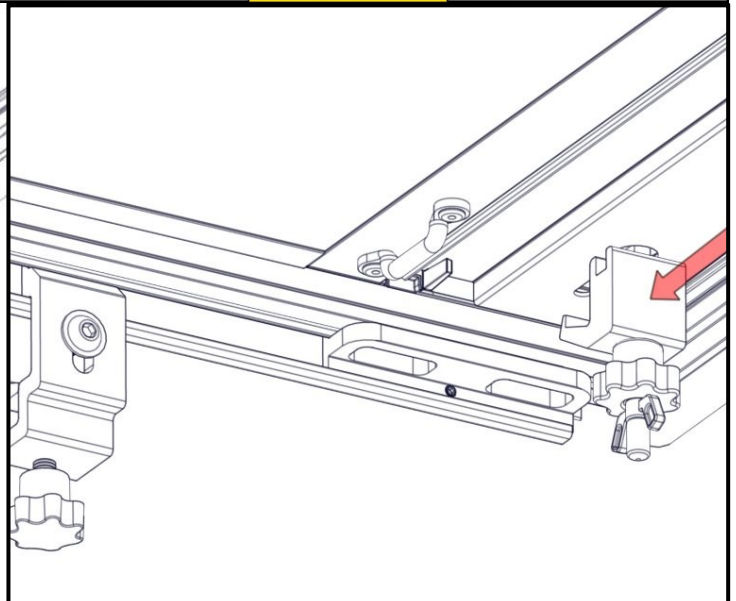
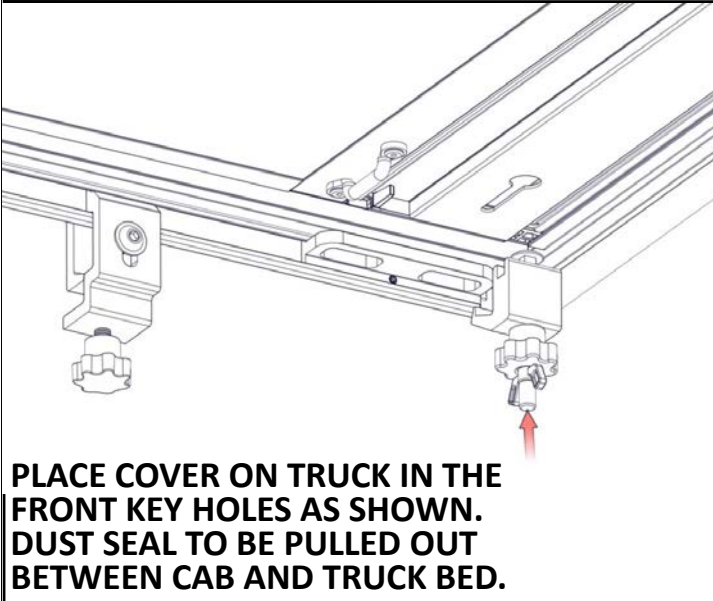
**USE THESE TWO LOCATIONS TO PLACE CLAMP
INSIDE BED CHANNEL RAIL AS SHOWN. TIGHT-
EN FLOWER NUT AS SHOWN BY HAND UNTIL
CONTACT IS MADE. (CLAMP KIT STYLES VARY)**

**STEP 2: TIGHTEN 5 MM ALLEN
SCREWS AS SHOWN. ONCE TIGHTENED
YOU MAY REMOVE THE FLOWER NUT
AND KEEP IF YOU NEED TO REINSTALL.
(REPEAT STEPS FOR RIGHT HAND SIDE)**



4 INSTALLING THE COVER

CAUTION
TWO
PERSON
LIFT

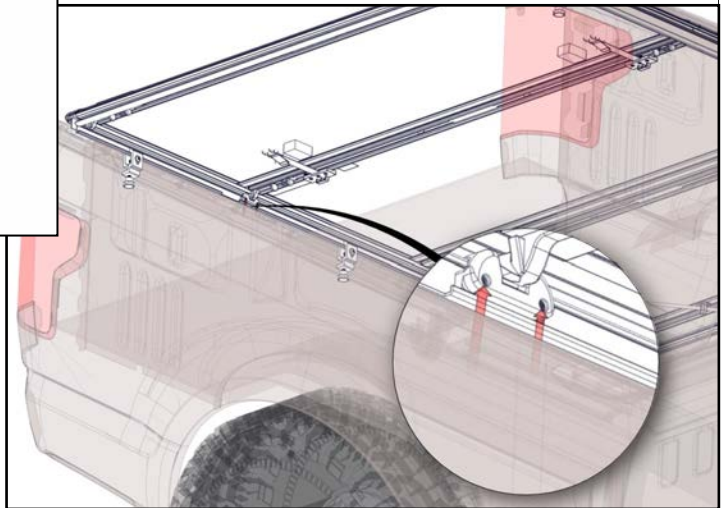
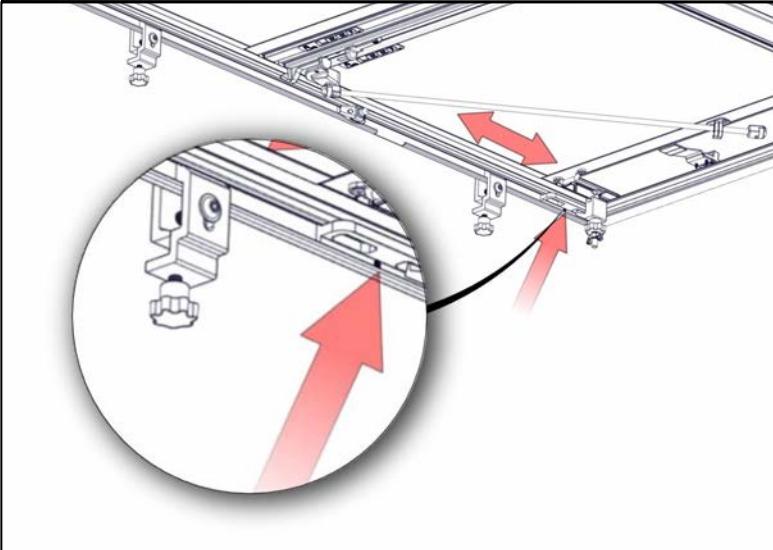


CAUTION CAUTION CAUTION

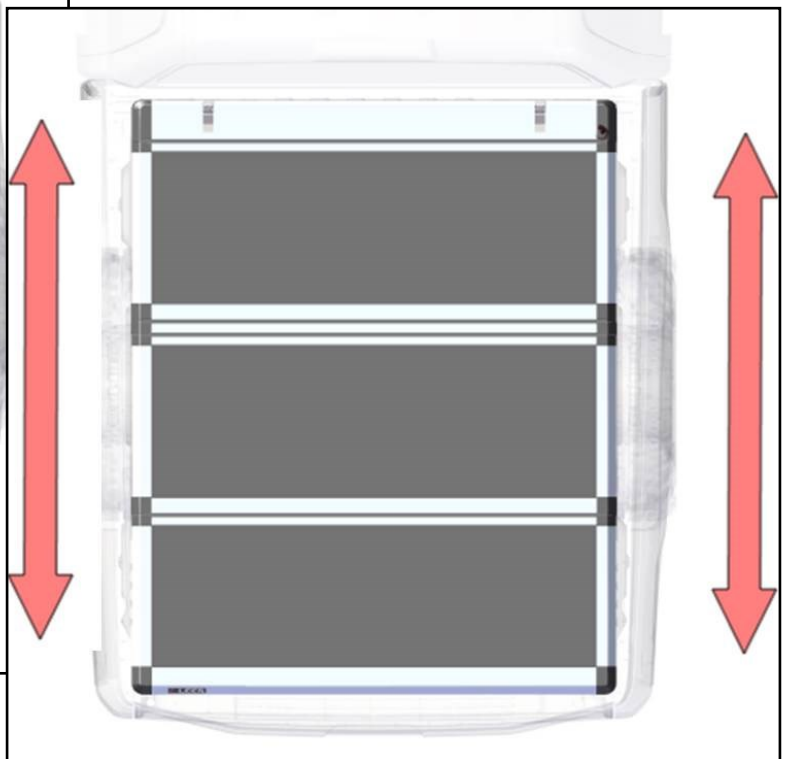
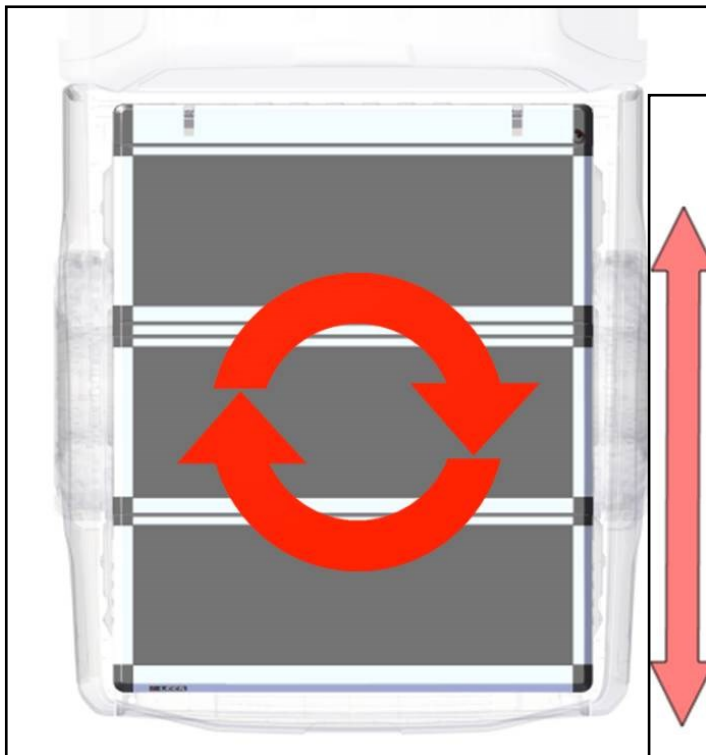
Tonneau cover must be secured at all points when vehicle is in motion. Keep cover completely closed or completely open, securely latched and or with storage buckles when traveling. Serious personal and/or property damage can occur with an unsecured tonneau. Refer to installation guide for proper attachment and operation. Do not tow vehicle backwards with tonneau on vehicle. Remove any snow or foreign matter before folding/rolling cover. 203814 0911

FOLD DOWN THE COVER AS SHOWN FOR CYNC LATCH ENGAGEMENT.

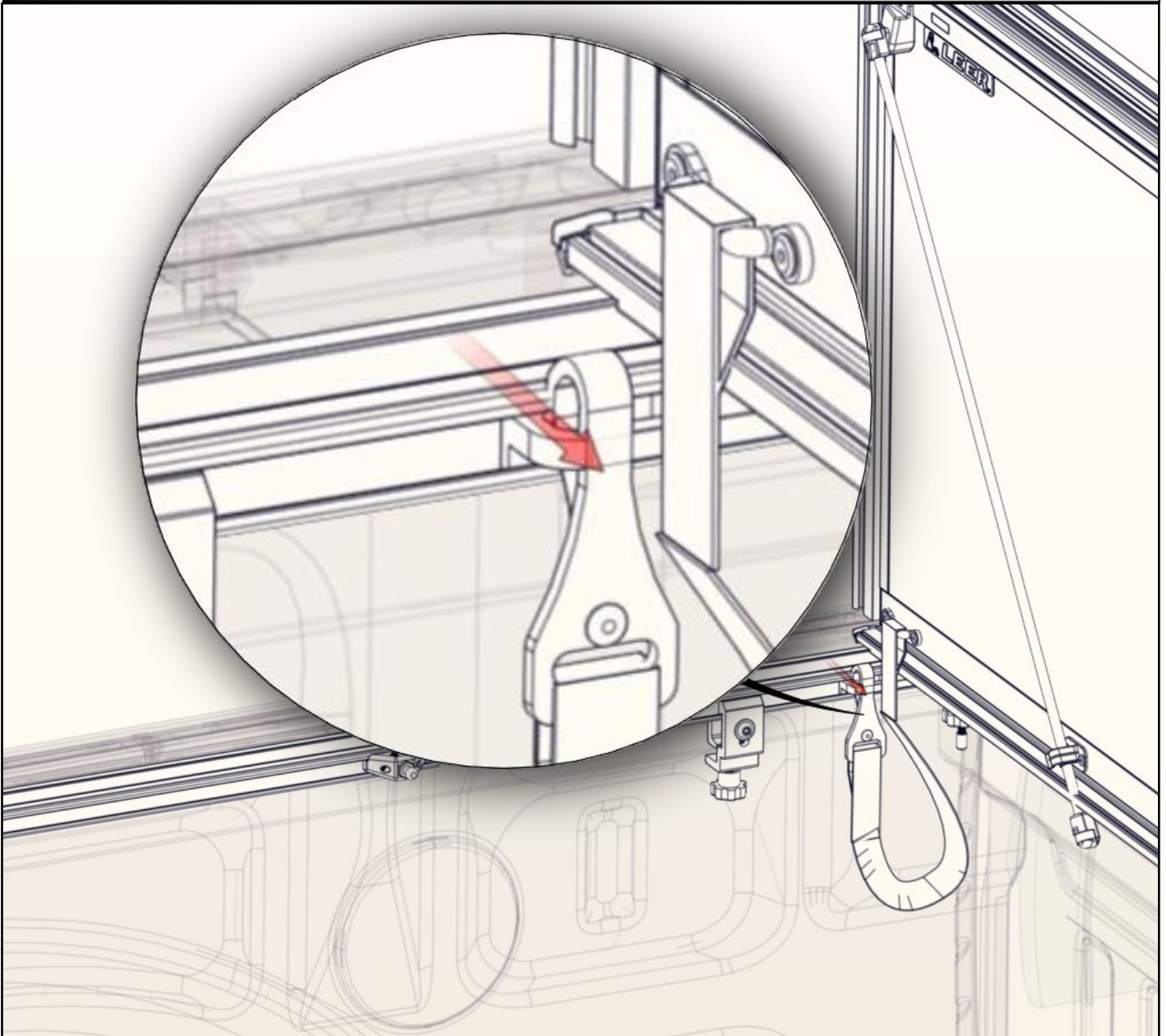
6 ADJUSTING FOR SQUARENESS (IF NEEDED)



1. LOOSEN SET SCREWS ON TIE DOWN LOOP AND LATCH LOCATOR ONE SIDE.
2. SHIFT COVER FORWARD OR AFT TO ADJUST SQUARENESS.

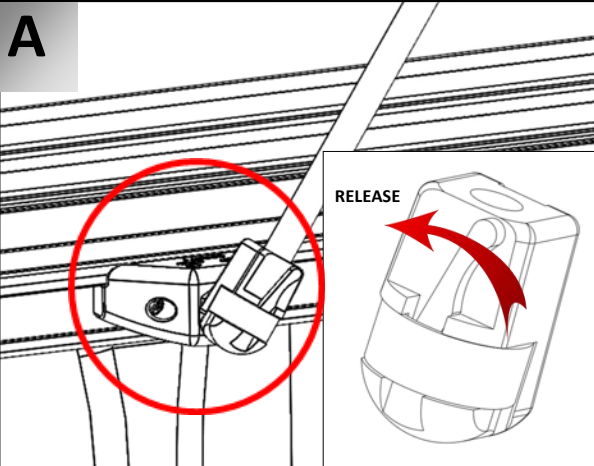


7 SECONDARY TIEDOWN

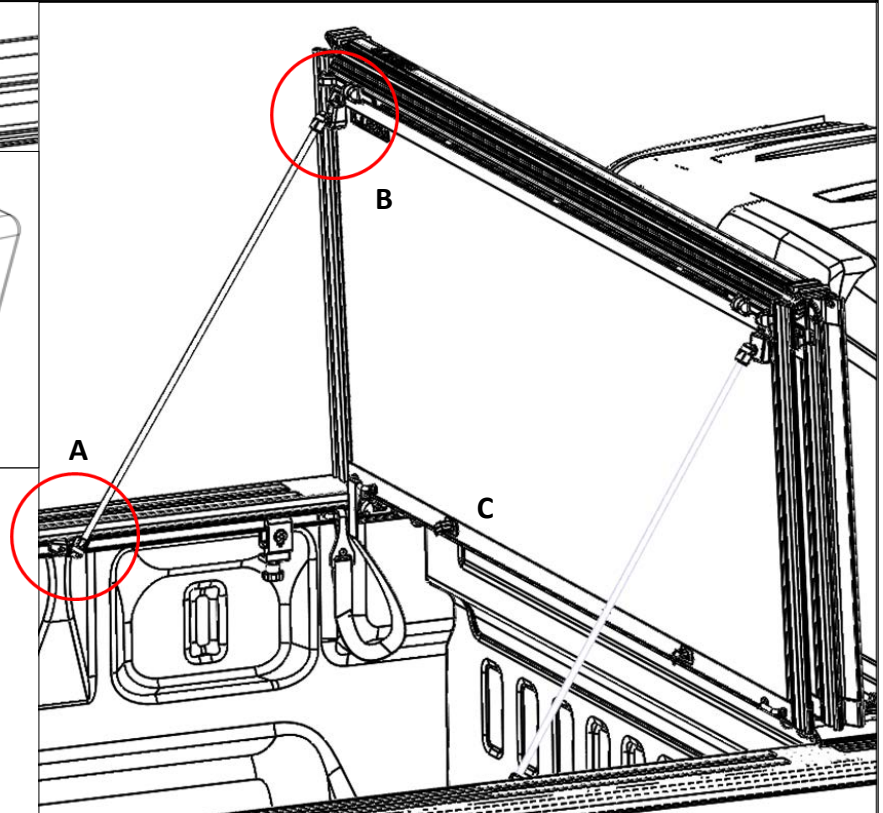


**SECONDARY TIEDOWN ON THE
RIGHT HAND SIDE OPERATION
IS IDENTICAL**

8 INSTALLING PROP RODS



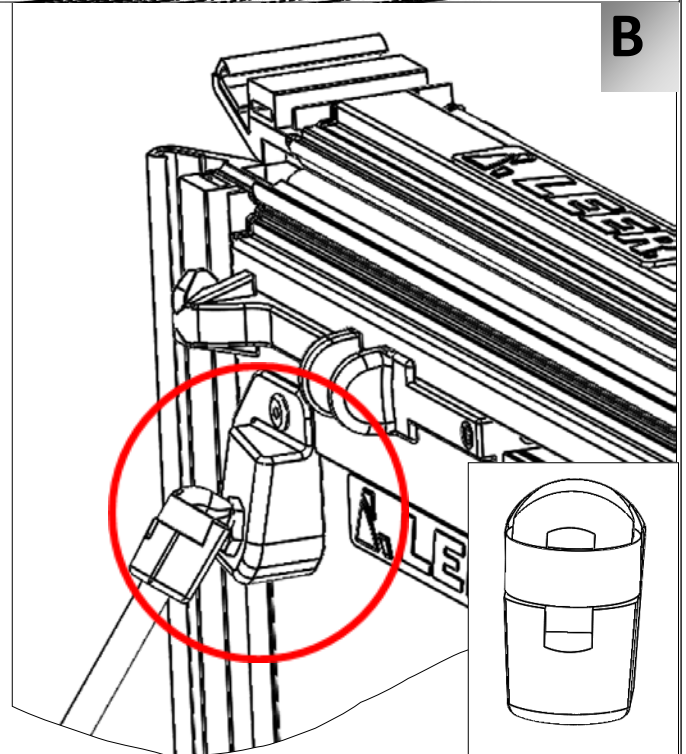
MOVABLE FITTING



-ATTACH THE FIXED-END BALL-FITTING "B" OF THE PROP ROD TO THE PROP ROD BASE INSTALLED ON THE PANEL. (SEE B) THESE WILL REMAIN HERE WHILE THE COVER IS AN OPEN OR CLOSED POSITION.

-PLACE THE ARM OF THE PROP ROD INTO THE PROP ROD CLIP "C" FOR THE CLOSED POSITION.

-PLACE THE ARM OF THE PROP ROD INTO THE BALL STUD "A" FOR THE OPEN POSITION.



FIXED-END BALL- FITTING

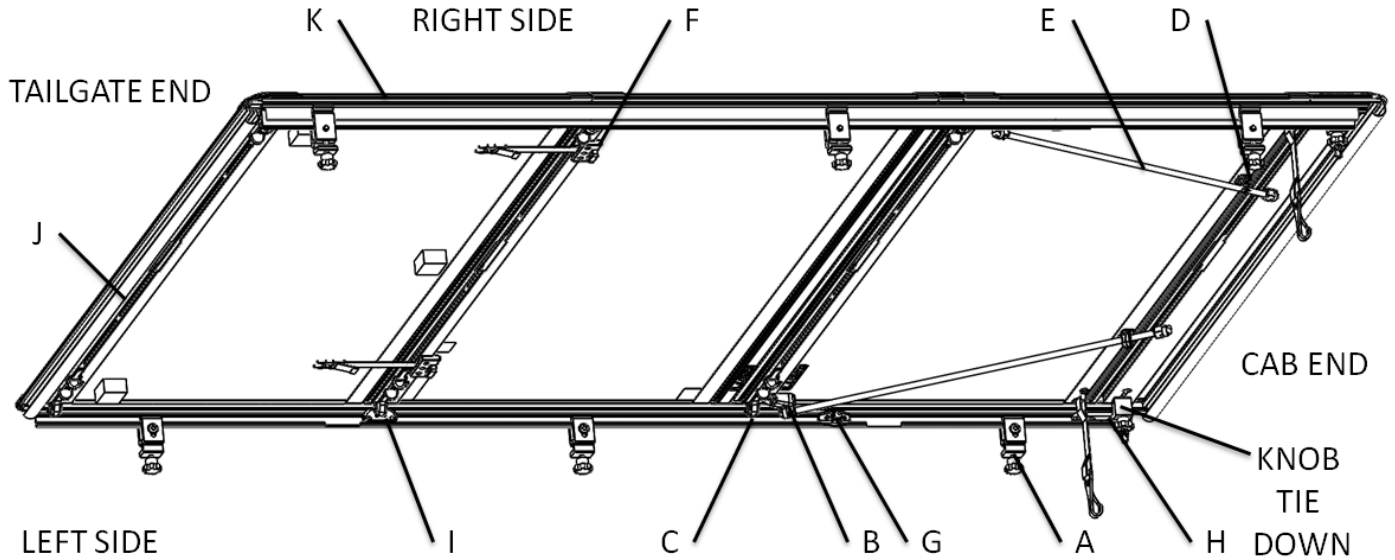
IDENTIFIER	DESCRIPTION	QUANTITY	ITEM NUMBER	QTY ORDERED
A	LEER HF350M CLAMP KITS	1 EACH		
B	BALL STUD, 10MM, M8 X 1.25 MALE THREAD	1 EACH	203374	
C	CYNC LATCH KIT	1 EACH	205757	
D	PROP ROD CLIP KIT	1 EACH	208364	
E	PROP ROD ASSEMBLY	1 EACH		
F	ASSEMBLY, BUCKLE KIT	1 EACH	206185	
G	ROD RAIL BASE ASSEMBLY KIT	1 EACH	206186	
H	ASSEMBLY, TIE DOWN LOOP MOUNT KIT	1 EACH	206471	
I	FRONT LATCH LOCATOR ASSEMBLY KIT	1 EACH	206188	
J	HF350M SEAL KIT	1 EACH	208363	
K	TOYOTA FOAM RAIL SEAL	1 EACH	203422	



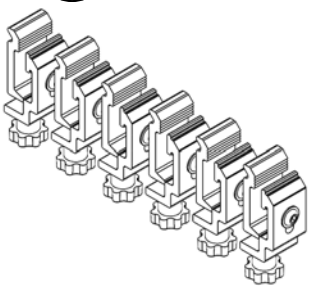
HF 350M

HF350M Folding Tonneau Cover Replacement Parts Order Form

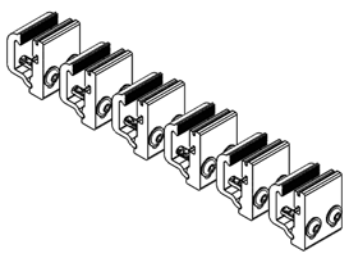
	SKU	Truck Model	(E) Prop Rod Assembly	(A) Clamp Assembly
FORD	631404	56FF04 2004+ Ford F150 5'6"	205761	205776
	631405	66FF04 2004+ Ford F150 6'6"	205764	205776
	631179	69FS17 2017+ Ford Super Duty 6'9"	205765	205776
	631149	65FSD 2008-2016 Ford Super Duty 6'9"	205765	205776
CHEVY/GMC	631105	52GC15 2015+ GM Colorado/Canyon 5'2"	205760	206646
	631130	62GC15 2015+ GM Colorado/Canyon 6'2"	205763	206646
	631123	58GSO 2007-2013 GM Silverado/Sierra 5'8"	205762	205776
	631120	58GS14 2014+ GM Silverado/Sierra 5'8"	205762	206646
	631159	65GSO 2007-2013 GM Silverado/Sierra 6'6"	205764	205776
	631170	66GS14 2014+ GM Silverado/Sierra 6'6"	205764	206646
	631300	58GS19 2019+ GM Silverado/Sierra 5'8"	205762	206646
	631301	66GS19 2019+ GM Silverado/Sierra 6'6"	205764	206646
DODGE	631117	57DR09 2009 - 2018 Dodge Ram 5'7"	205761	205776
	631137	64DR09 2009 - 2018 Dodge Ram 6'4"	205763	205776
	631298	57DR19 2019+ Dodge Ram 5'7"	205761	205776
	631299	64DR19 2019+ Dodge Ram 6'4"	205764	205776
TOYOTA	631289	56TT14 2014+ Toyota Tundra 5'6"	205761	205781, 205776
	631290	66TT14 2014+ Toyota Tundra 6'6"	205764	205781, 205776
	631286	52TC16 2016+ Toyota Tacoma 5'2" w/ Track	205760	205780
	631288	62TC16 2016+ Toyota Tacoma 6'2" w/ Track	205763	205780
	631140	64TCDCT 2005 - 2015 Toyota Tacoma 5'4" w/ Track	205760	205779
	631201	77TC 2005 - 2015 Toyota Tacoma 6'5" w/ Track	205763	205779
NISSAN	631115	56NT16 2016+ Nissan Titan 5'6"	205761	205776, 205778
	631172	66NT16 2016+ Nissan Titan 6'6"	205764	205776, 205778
	631291	50NF13 2013+ Nissan Frontier 5' w/ Track	205760	205777
	631292	61NF13 2013+ Nissan Frontier 6'1" w/ Track	205763	205777



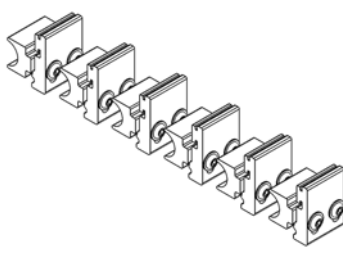
A LEER HF350M CLAMP KITS



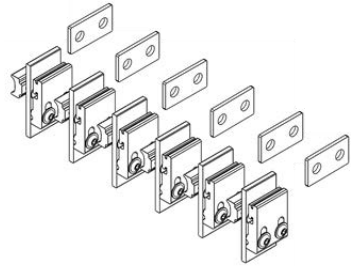
#205776



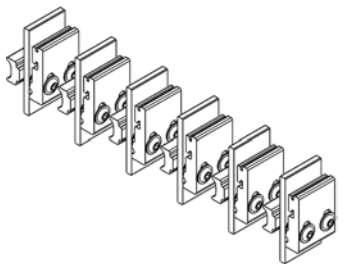
#205777



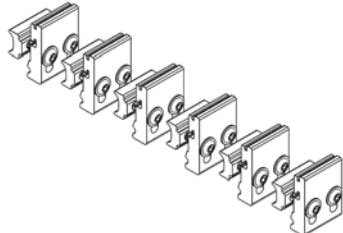
#205778



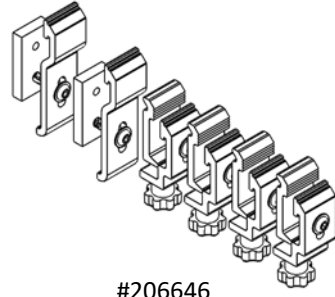
#205779



#205780



#205781



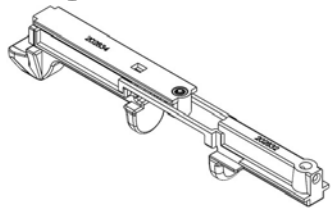
#206646

B BALL STUD



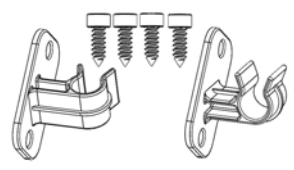
#203374

C CYNC LATCH KIT



#205757

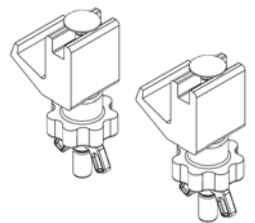
D PROP ROD CLIP KIT



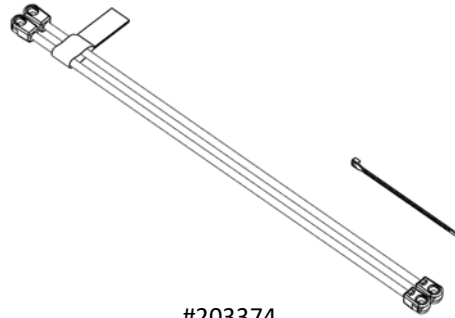
#208364

KITS A BOX CONTENTS

- 6 EACH CLAMP ASSEMBLY (STYLE VARIES PER CLAMP KIT)
- 2 EACH KNOB TIE DOWN
- 1 EACH BUTYL TAPE
- 1 EACH 2.5MM ALLEN WRENCH
- 1 EACH 5MM ALLEN WRENCH

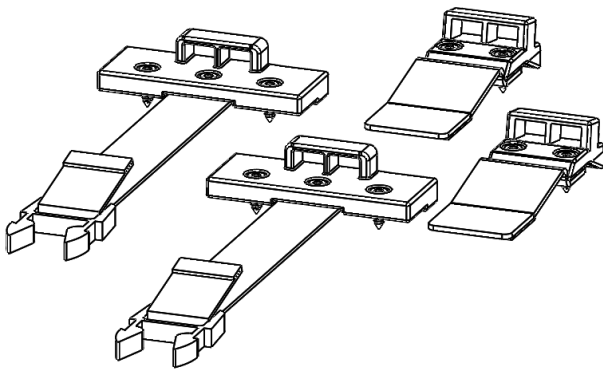


E PROP ROD ASSEMBLY



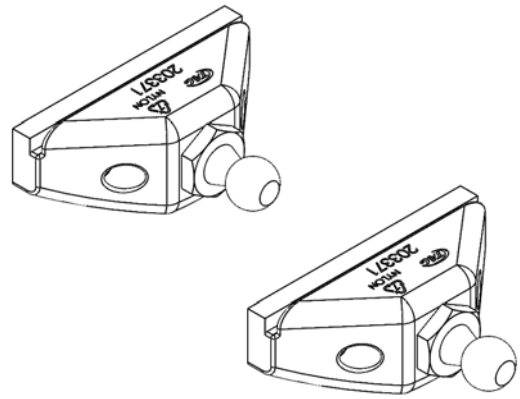
#203374

F ASSEMBLY, BUCKLE KIT



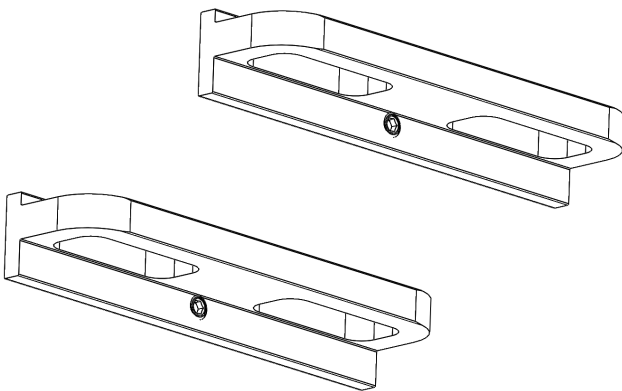
#206185

G ROD RAIL BASE ASSEMBLY KIT



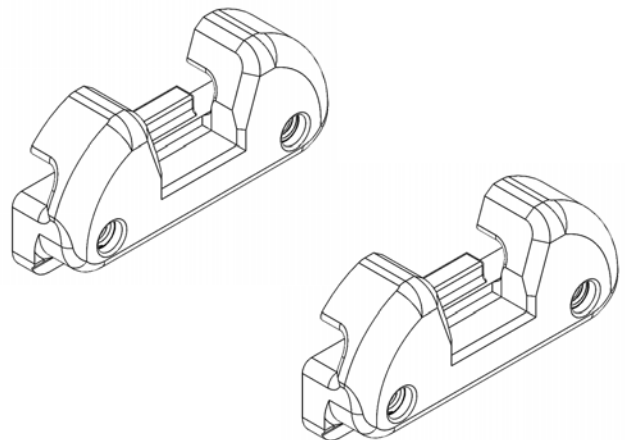
#206186

H ASSEMBLY, TIE DOWN LOOP MOUNT KIT



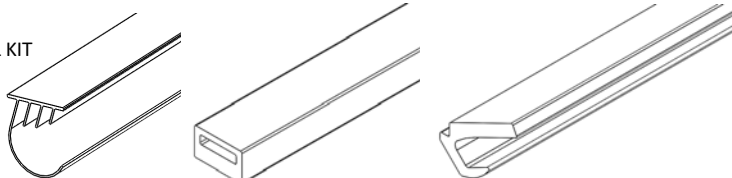
#206471

I FRONT LATCH LOCATOR ASSEMBLY KIT



#206188

J HF350M SEAL KIT



#208363

K TOYOTA FOAM RAIL SEAL



#203422