



H.D. REAR LOWER CONTROL ARMS WITH POLYURETHANE BUSHINGS

#20140

FITS 1982-92 CAMARO/FIREBIRD

INSTALLATION INSTRUCTIONS

WORK SAFELY!

Installation of these Rear Control Arms requires working underneath vehicle. **USE EXTREME CARE AND CAUTION WHEN WORKING UNDERNEATH VEHICLE.** Never get near or under vehicle until you are confident that it is safely supported and will not move or fall from its raised position. **DO NOT USE A BUMPER JACK.**

1. Place vehicle on solid level surface such as a garage floor to insure safe installation.
2. Place wheel blocks or wedges in front of and behind both front wheels to prevent movement in either direction.
3. Lift rear of vehicle and support with approved automotive support stands.
4. Remove rear wheels and tires to help facilitate installation.

CAUTION: DO NOT BEGIN THIS INSTALLATION UNTIL YOU ARE CONFIDENT THAT VEHICLE IS SECURE AND SAFELY SUPPORTED.

REMOVAL OF FACTORY CONTROL ARMS

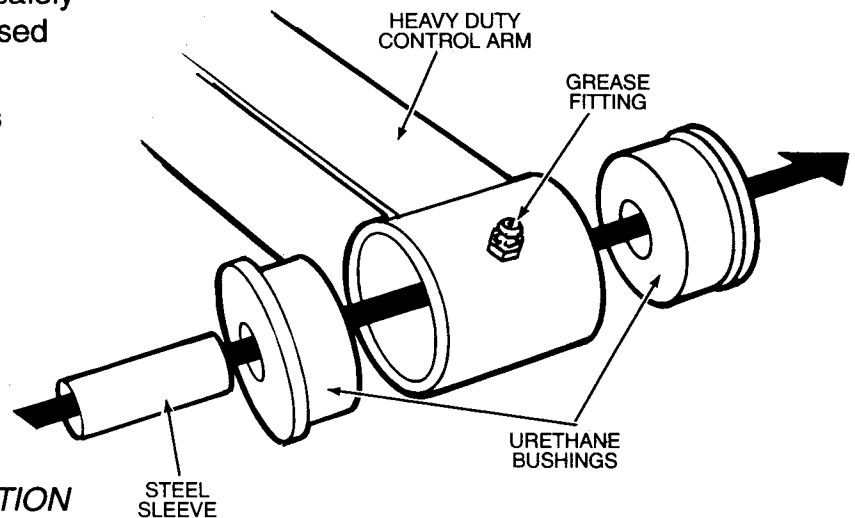
NOTE: Only work on one side at a time.

1. Spray penetrating oil/lubricant on threads and nuts of existing mounting bolts.
2. Loosen and remove two (2) mounting bolts, one at each end, and set aside. Remove control arm from brackets.

CONTROL ARM ASSEMBLY AND INSTALLATION

1. Install grease fittings (supplied) into each bushing end of control arm by driving fittings into drilled hole in eyelet using a wooden mallet or plastic head hammer. Use care not to damage fittings.
2. Apply lubricant (supplied), to polyurethane bushings and steel sleeves, then install into eyelet ends as shown.

3. Install Lakewood control arm into mounting bracket re-using factory mounting hardware. Tighten both bolts securely.
4. Repeat above procedure for opposite side.



IMPORTANT: Periodically check to make sure that mounting bolts are securely tightened. Use a good quality chassis grease to keep bushings and sleeves properly lubricated.