



INSTALLATION INSTRUCTIONS



Installation Instructions		<i>KW automotive</i>	
Instruction No.	686 61 015		

KW automotive

INSTALLATION INSTRUCTIONS

**Before you begin installation ,
please read the following carefully:**

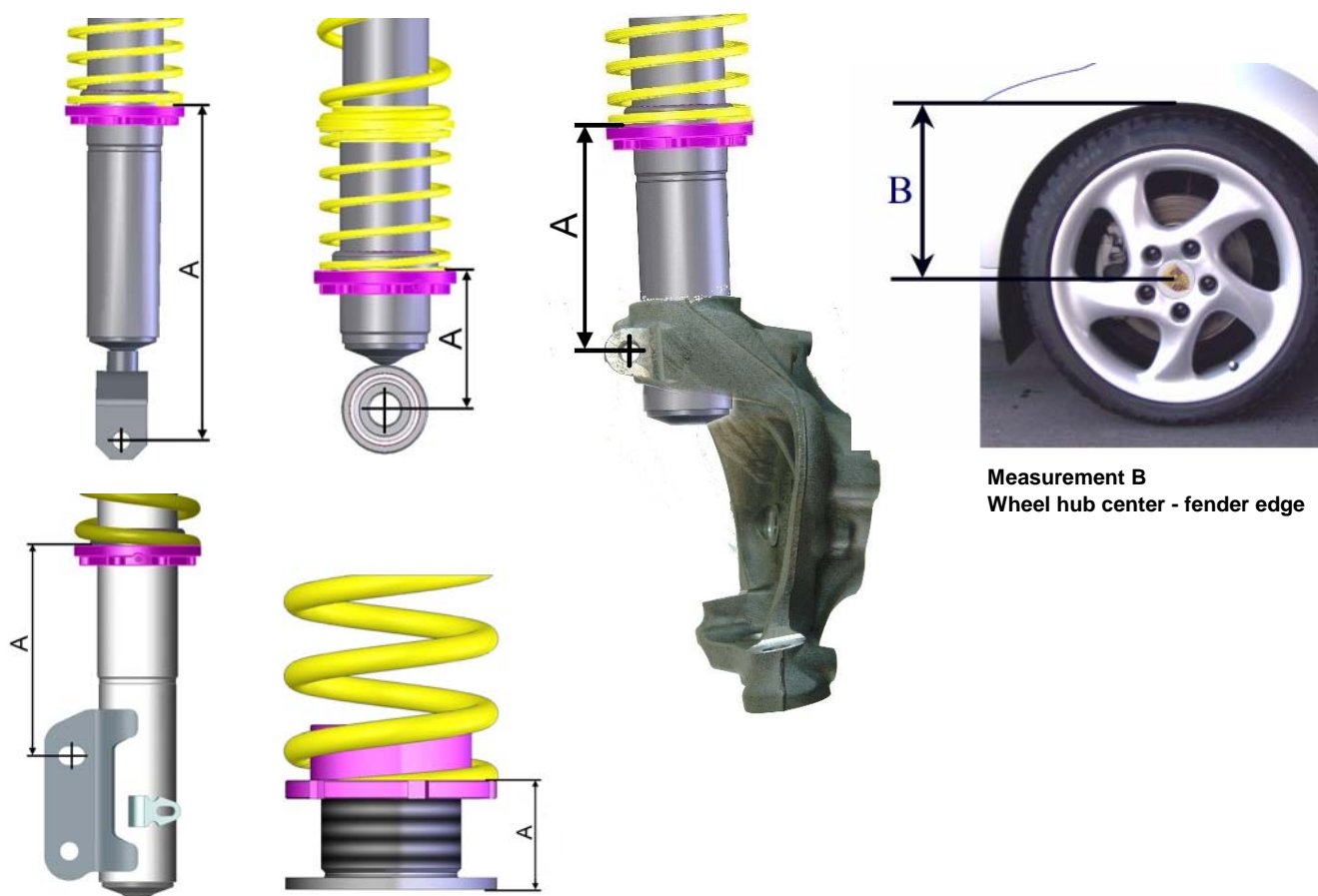
- **Ensure that the TUEV certificate matches the vehicle specifications (front vehicle identification number (VIN)) etc...**
- **The suspension components must match the suspensions application specifications (springs and shock/struts identification numbers).**
- **The instructions have to be strictly observed.**

KW Coilovers for automobile suspensions are designed for easy installation. If not otherwise stipulated in these instructions, all suspension components are installed and removed in accordance with the manufacturer's specifications for installing and removing standard springs and damper components. At the time of printing all instructions and specifications are correct. However please check with your local KW dealer or the KW website www.kwsuspensions.com (US-program only) www.kwautomotive.de (European program) for the latest updates.

Installation Instructions		KW automotive	
Instruction No.	686 61 015		

Technical data	Coilover part number ... 61 015			
Vehicle model	Chevrolet Corvette Z06 type GMX-245		max. permissible front axle load: 800 kg	
	front axle		rear axle	
Spring signature	KW 50-200*		KW 90-200*	
Coilover strut / Shock absorber signature	610 1003		610 1103	
Approximate distance measurement A Front axle: Lower fastening screw - spring contact area Rear axle: Seating height adjustment - spring contact area or lower fastening screw - spring contact area	min:	max:	min:	max:
	170 mm / 6,7 inch	200 mm / 7,9 inch	190 mm / 7,5 inch	210 mm / 8,3 inch
Approximate measurement* B in mm / inch: wheel hub center to fender edge	min:	max:	min:	max:
	355 mm / 14,0 inch	385 mm / 15,2 inch	370 mm / 14,6 inch	390 mm / 15,4 inch

Calculating the adjustment range (distance measurement A) : (Photos are examples only)



Measurement B
Wheel hub center - fender edge

Please enter the adjusted height of the modified car into the list:

Coilover part no	Vehicle type	Measurement A		Wheel hub center - fender edge Measurement B	
		Front	Rear	Front	Rear

* **IMPORTANT:** The allowable measurement between wheel hub center and fender edge as indicated above, may not exceed this measurement when using standard fenders.

Installation Instructions		<i>KW automotive</i>	
Instruction No.	686 61 015		



Danger:

1. Always follow the latest accident prevention regulations (not applicable for North America) for each step to prevent any serious bodily harm or injury.
2. We recommend the use of a vehicle hoist or lift when installing the suspension. If a lift is not available and jacking equipment is used, make sure that the vehicle is secured with commercial wheel blocks and jack stand to ensure safety.
3. The suspension components may only be installed by trained technical personnel using the proper tools.
4. The General Installation instructions, as well as the Technical Inspectorate (German TÜV) documents must be read **BEFORE** attempting installation.
5. Never use impact wrenches or guns to install or remove shock absorber piston hardware.
6. Never disassemble or cut open shock absorbers and/or shock absorber inserts. They contain oil under pressure. Danger of explosion.
7. Before driving on public highways, carry out the work steps on page 7, items 11 through 14 after installation.
8. The suspension regulation (when available) needs to be disabled through an authorized dealer.
9. Please take care in any case that fittings (for example fittings of shock absorber housings or fittings of the lower control arm in the housing of the wheel bearing) are free of dust and oil. (see manufacturer guideline)

General Instructions for Use:

1. When adjusting the vehicle height, make sure that the threads are clean and free of debris. After initial cleaning, move the perch by 10 mm (0.4 Inches) downwards, and then clean the area that you desire to adjust the perch (up or down).
2. During height adjustments on separate shock and spring systems, remove the perch from the vehicle to adjust the height.
3. After adjusting the vehicle height, repeat steps 11 through 14 from page 7.
4. In the area of the piston rod and the sealing package of the new and used damper might be oil and grease collected. This could either be caused by using a special black grease during assembling the washer or due to accumulation of streak oil. Further more oil is used during assembling the cartridge and rod guide. There is no reason of worrying about and damage, as in this area also dust and dirt used to be collected.

Tightening torque for the piston rod nut:

M8 = **25Nm (18 ft-lb)**, M10x1 = **20Nm (15 ft-lb)**, M10x1,25 = **20Nm (15 ft-lb)**, M12x1,25 = **35Nm (26 ft-lb)**,
M12x1,5 = **40Nm (29 ft-lb)**, M14x1,5 = **50Nm (37 ft-lb)**, M16x1,5 = **50Nm (37 ft-lb)**

Installation Instructions		KW automotive
Instruction No.	686 61 015	



General Mounting Specifications:

1. We recommend the use of a vehicle hoist or lift when installing the suspension.
2. **Caution:** If the vehicle is equipped with ride height sensors, they should be removed before removal of struts or dampers, otherwise damage may occur.
3. The struts should be removed as specified by manufacturer's instructions.
4. Manufacturer recommended tools for removal of the original struts, or a suitable spring compressor, must be used in order to remove most factory mounted suspension systems.
5. Mount the complete suspension system as described on the following pages.
6. Never use impact drivers to install nuts on the piston rods as permanent damage may occur. It is imperative that you do not damage the piston rod surface, through use of pliers etc, as the smallest damage will result in seal damage, and will not be covered under warranty.
7. Stay within the lowering range specified in the table on page 3.
Example: With a specified range of 20 - 60 mm (0.8 - 2.3 Inches), 40 mm (1.5 Inches) is your height adjustment range.
8. Ensure that the set screw on each spring collar is tightened to prevent movement of the spring perch. On vehicles with separate shock/spring combinations, no set screw is necessary.
Caution: Do not over tighten the set screw. Maximum torque is 1 - 2 Nm (0.74-1.47 ft-lb).
9. Install the suspension components in the vehicle as specified by the vehicle manufacturers in their document.
10. Except as noted, all torque values must comply with manufacturer recommended specifications.
11. After assembly and installation is complete, the vehicle should be rolled onto level ground. Once on level ground, measure the vehicle height and adjust to the customer's requirements, within the prescribed lowering range.
Caution: Wheel hub center—wheel arch maximum measurement in the table of page 3 must not be exceeded! Also take into account minimum road clearances specified in the table on page 7 (only valid for Germany!).
Caution: It is common for the vehicle suspensions to settle by an additional 5 - 10 mm (0.2 - 0.4 Inches)
12. Examine the clearance between the tires and the suspension over the full range of motion of the wheel. The minimum clearance between the suspension and the tire is 4 mm (0.16 Inches). If this clearance is less than 5 mm (0.2 Inches), wheel spacers may be necessary. With strut designs that are located close to the wheel, but that have no steering functions, use 100 mm (3.9 Inches) spacers on diagonally opposed wheel (e.g. front right, rear left). In this position, you must be able to achieve the minimum clearance required. You can also check the clearance between tire and body.
Caution: With torsion beam trailing arm axles, this method is not sufficient. The wheel must be under full load as well as test driven to properly calculate the clearances of 5 mm (0.2 Inches) from any other components.
13. The geometry of the suspension needs to be adjusted according the regulations of the vehicle manufacturer. If a value cannot be reached due to the difference in the height, a optimal value next to the tolerance range of the vehicle manufacturer needs to be adjusted.
14. All components that are controlled by vehicle ride height (e.g. headlights, brake bias regulator etc.) must be adjusted as specified by the vehicle manufacturer instructions and procedures.
15. For vehicles with ESP, DSC or EPC your new suspension components may cause an engine fault code to appear. This is only temporary as the vehicle electronics adjust to the new components/height. On some models this will end after driving approximately 3-5 miles, or through turning the steering wheel from full left to full right. On other models, this must be reset through the factory diagnostic port by a qualified technician.

Installation Instructions		<i>KW automotive</i>
----------------------------------	--	-----------------------------

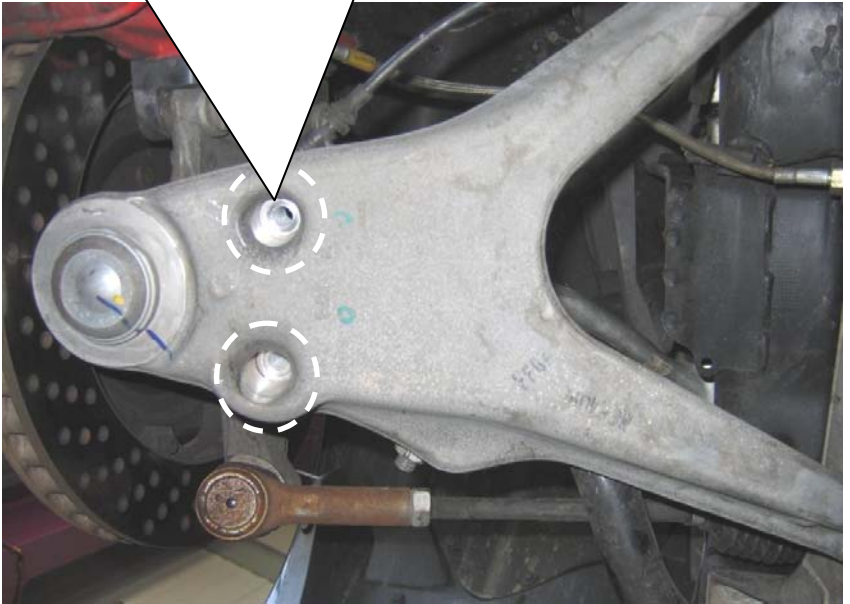
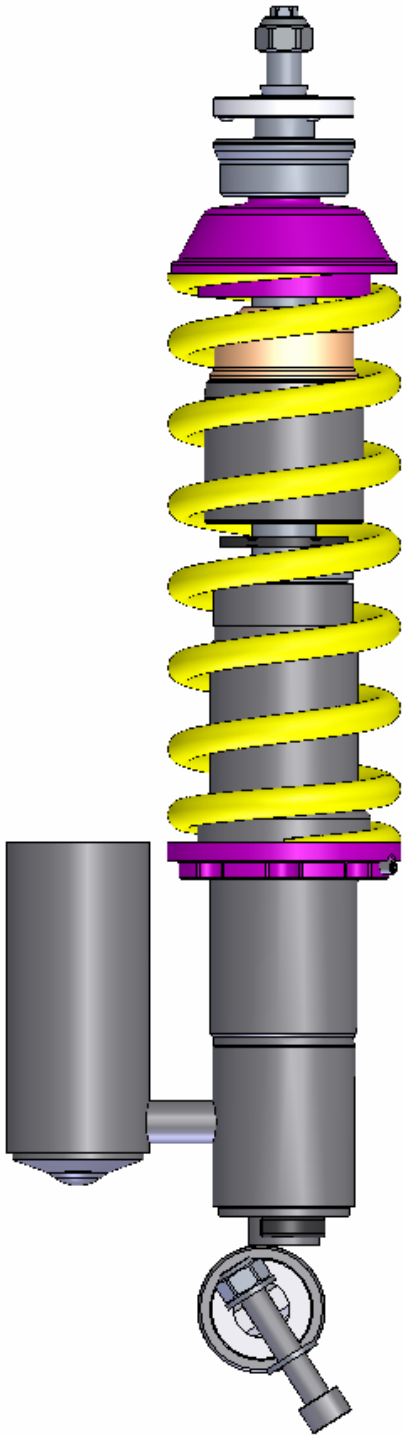
Instruction No.	686 61 015	
-----------------	------------	--

Front axle:

Dismantle the standard front axle leaf spring.

Supplied coilover strut.

Drill out the standard holes in the transverse control arm to 10 mm / 0,39 inch

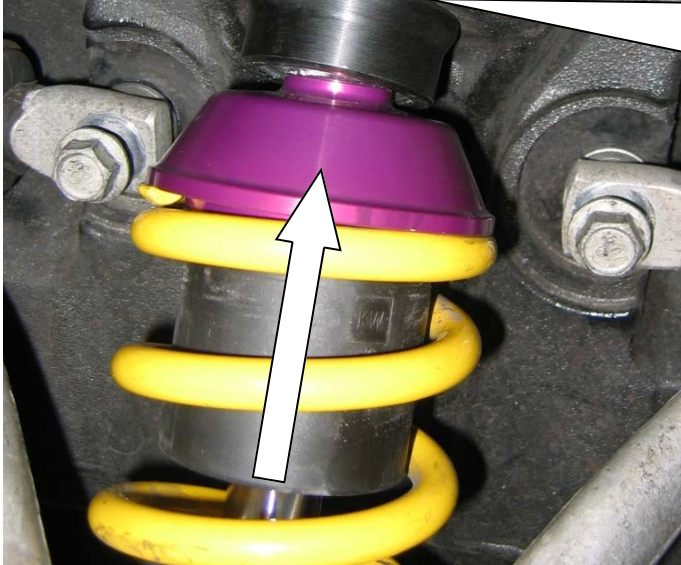


Installation Instructions		<i>KW automotive</i>
Instruction No.	686 61 015	

Front axle:



Insert the coilover strut with the installed uniball adapter through the hole into the vehicle frame.

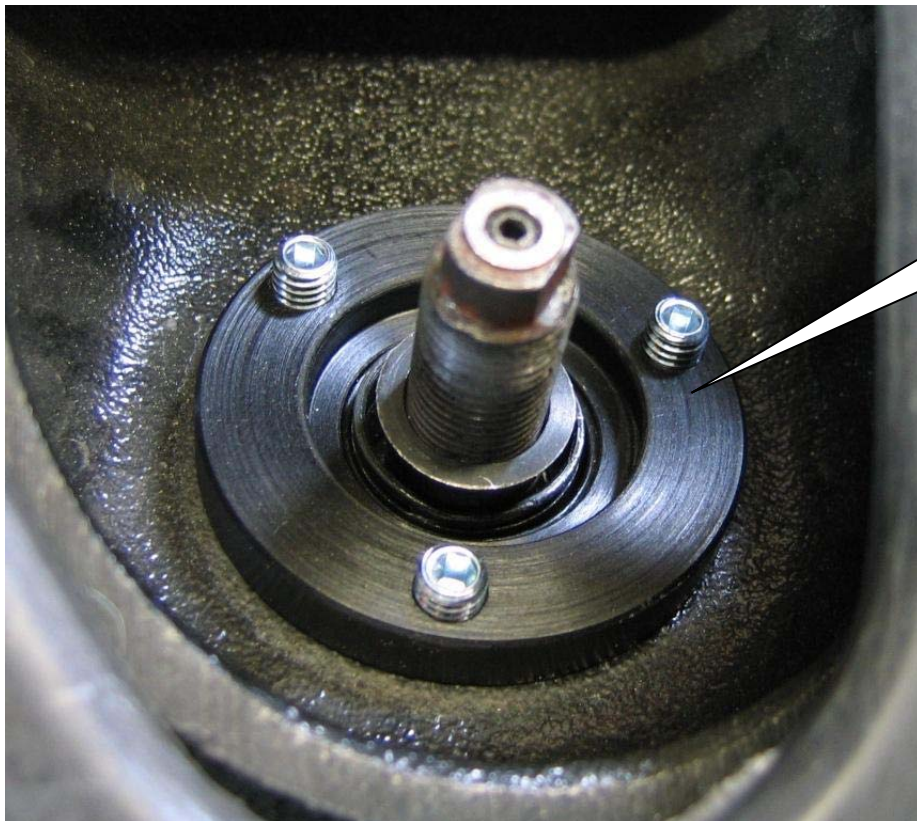


Turn the uniball bearing for a correct seat solidly of the uniball bearing.



Installation Instructions		<i>KW automotive</i>
Instruction No.	686 61 015	

Front axle:



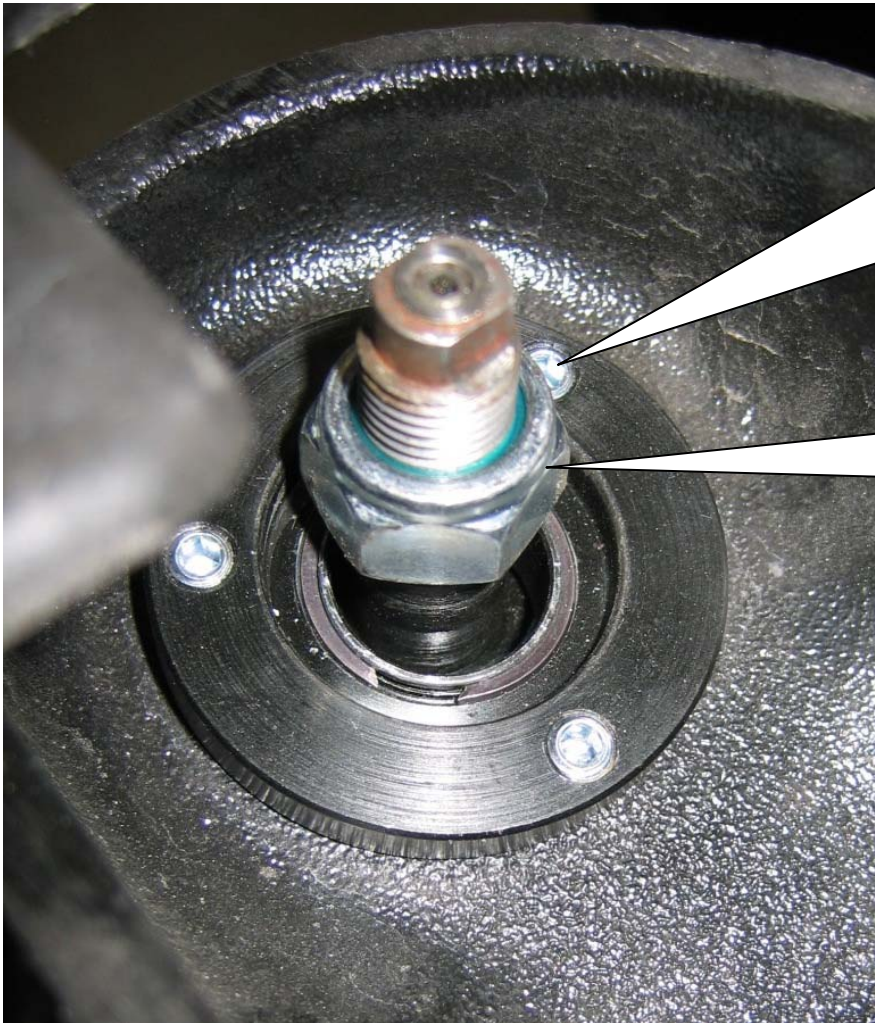
Insert the clamping ring over the coilover strut.

Insert the snapping over the uniball bearing and lock the uniball bearing. Pay attention to the correct seat of the snapping.



Installation Instructions		<i>KW automotive</i>
Instruction No.	686 61 015	

Front axle:



Lock all screws with locking compound and evenly tighten.
Tightening torque for the screws is 1,5 Nm (1,11 ft-lb).

Tightening torque for the piston rod nut is 25 Nm (18 ft-lb).

Installation Instructions		<i>KW automotive</i>
----------------------------------	--	-----------------------------

Instruction No.	686 61 015	
-----------------	------------	--

Front axle:



Tightening torque for the bottom coilover strut is 50 Nm (37 ft-lb).



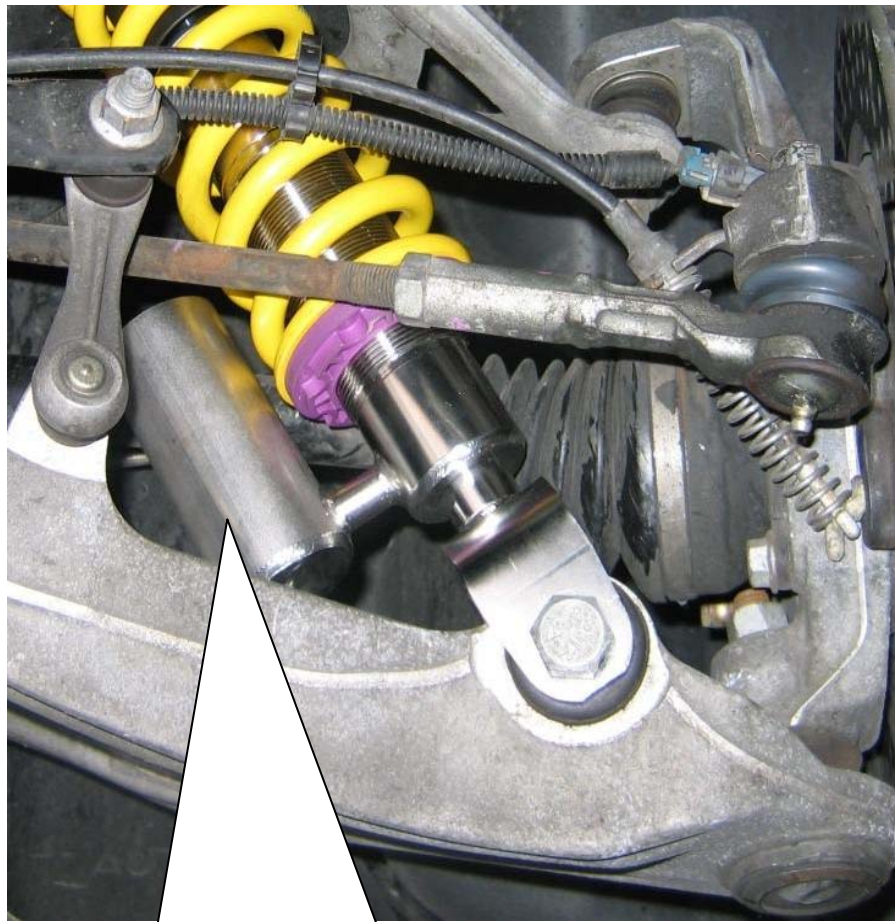
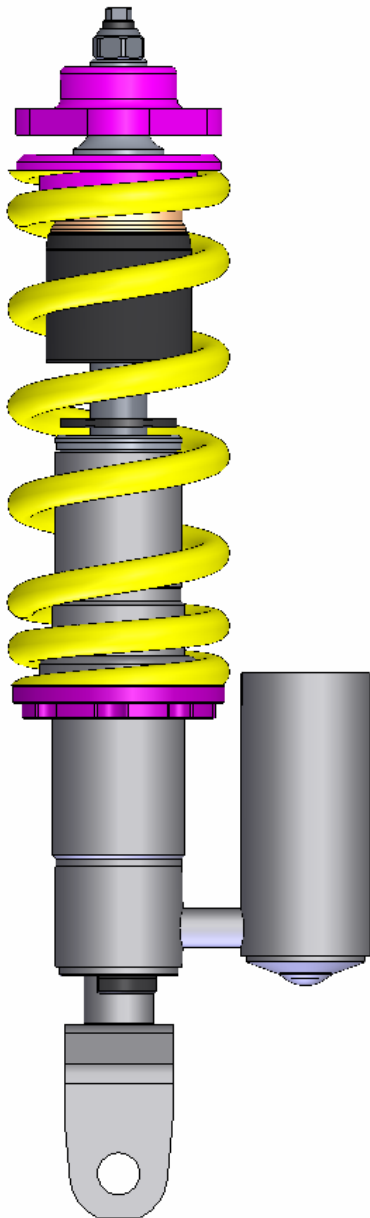
On damper versions with separate reservoirs, mount the reservoir facing to the outside of the vehicle as shown on the picture.

Installation Instructions		<i>KW automotive</i>
----------------------------------	--	-----------------------------

Instruction No.	686 61 015	
-----------------	------------	--

Rear axle:	Dismantle the standard rear axle leaf spring.
-------------------	---

Supplied coilover strut.	The strut unit has to be installed according to manufacturers recommended settings regarding tightening torque and fixing specifications.
--------------------------	---



On damper versions with separate reservoirs, mount the reservoir facing to the inside of the vehicle as shown on the picture.