



INSTALLATION INSTRUCTIONS



Installation Instructions		<i>KW automotive</i>
Instruction No.	685 10 124	

KW automotive

685 10 124

INSTALLATION INSTRUCTIONS

Cancellation kit

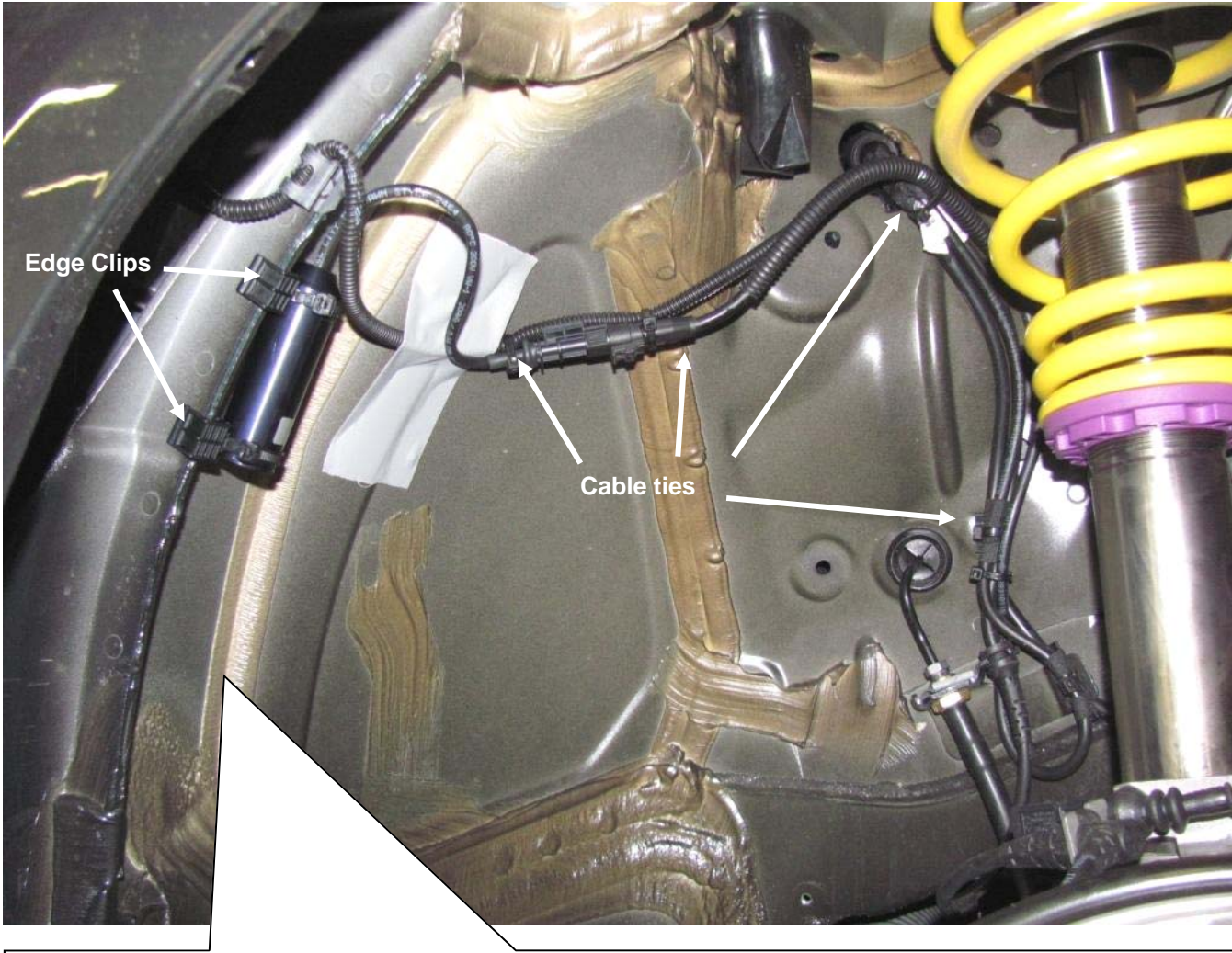
Installation Instructions		<i>KW automotive</i>
----------------------------------	--	----------------------

Instruction No.	685 10 124	
-----------------	------------	--

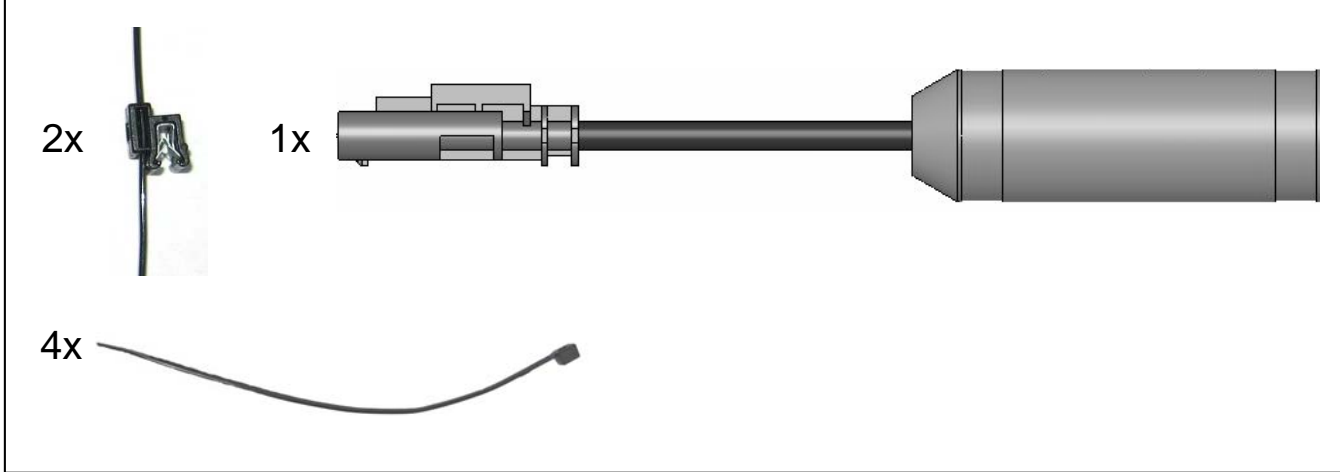
Front axle:

Run the original shock absorber cable along the marked point and fix it on the original wire harness with the supplied cable ties.
Mount the front axle electronic kit with the supplied edge clips and cable ties on the chassis edge.

Right vehicle side.



Assembly area front axle electronic kit



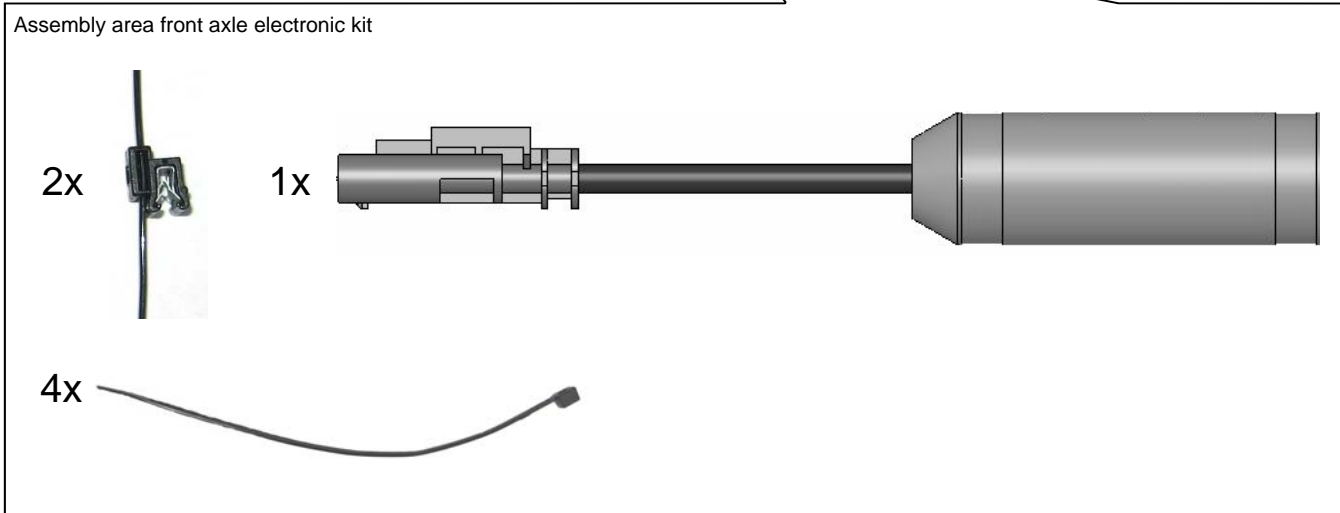
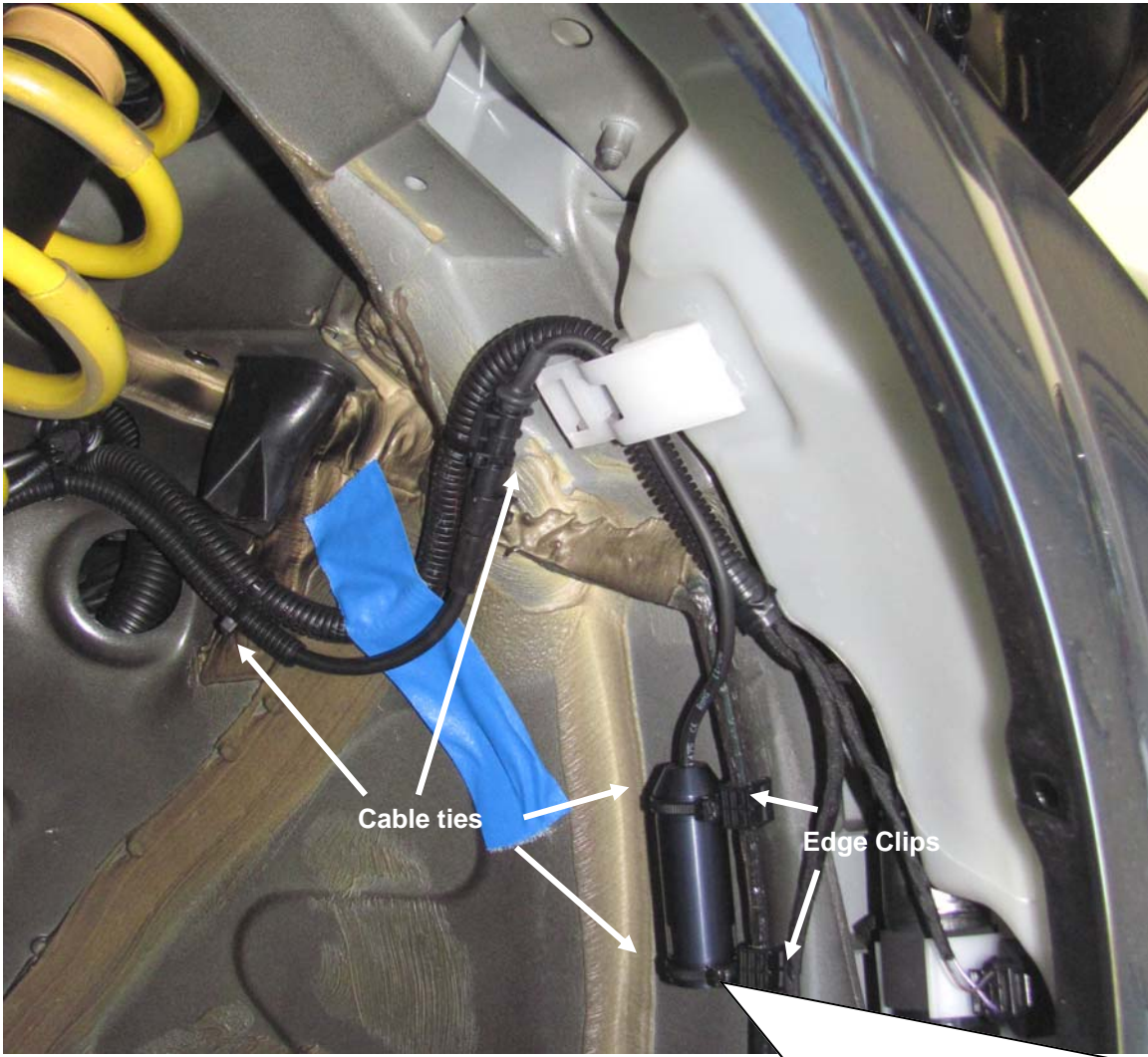
Installation Instructions		<i>KW automotive</i>
----------------------------------	--	-----------------------------

Instruction No.	685 10 124	
-----------------	------------	--

Front axle:

Left vehicle side.

Run the original shock absorber cable along the marked point and fix it on the original wire harness with the supplied cable ties.
Mount the front axle electronic kit with the supplied edge clips and cable ties on the chassis edge.



Installation Instructions		<i>KW automotive</i>
----------------------------------	--	-----------------------------

Instruction No.	685 10 124	
-----------------	------------	--

Rear axle:

Run the original shock absorber cable along the marked point and fix it on the original wire harness with the supplied cable ties. Mount the rear axle electronic kit with the supplied cable ties on the chassis.

Left vehicle side.



Assembly area rear axle electronic kit



Installation Instructions		<i>KW automotive</i>
----------------------------------	--	-----------------------------

Instruction No.	685 10 124	
-----------------	------------	--

Rear axle:

Right vehicle side.

Run the original shock absorber cable along the marked point and fix it on the original wire harness with the supplied cable ties. Mount the rear axle electronic kit with the supplied cable ties on the chassis.

