

| | | |
|----------------------------------|------------|----------------------|
| Installation Instructions | | <i>KW automotive</i> |
| Instruction No. | 685 10 124 | |

KW automotive

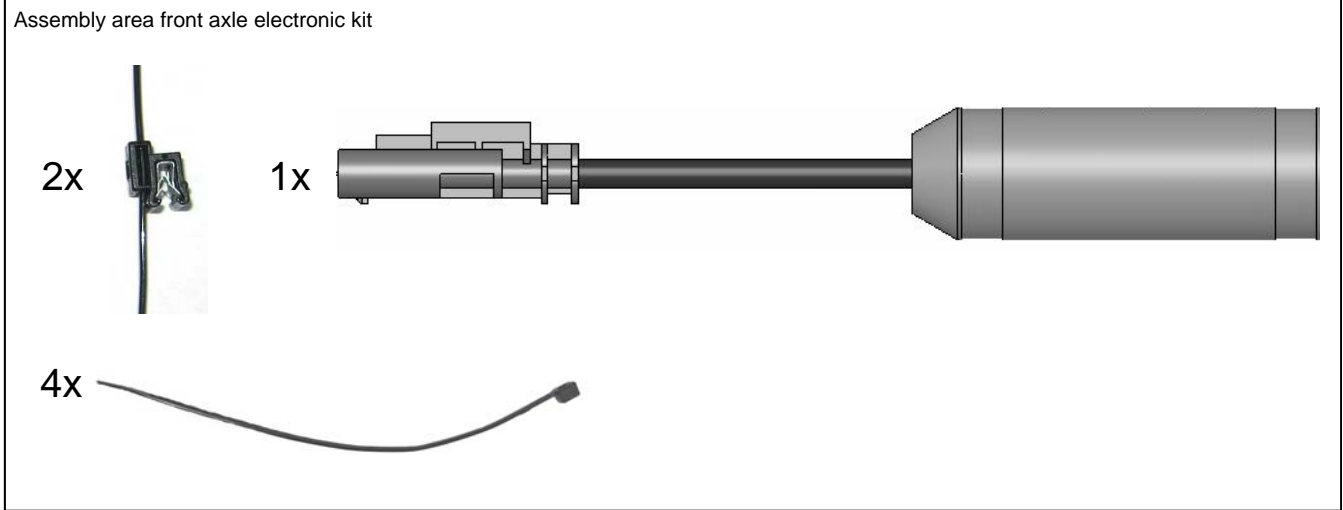
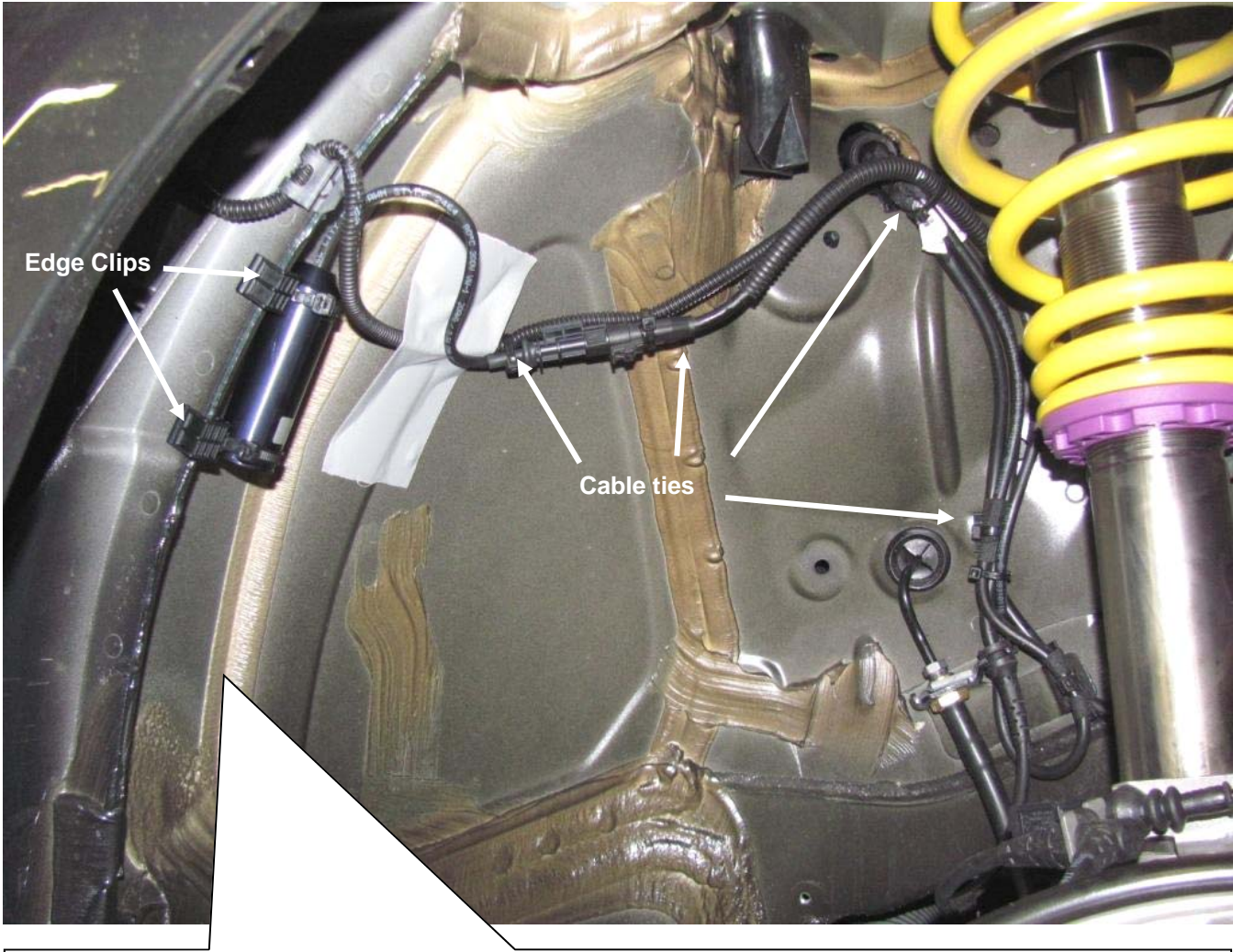
685 10 124
INSTALLATION INSTRUCTIONS
Cancellation kit

| | | |
|----------------------------------|------------|----------------------|
| Installation Instructions | | KW automotive |
| Instruction No. | 685 10 124 | |

Front axle:

Right vehicle side.

Run the original shock absorber cable along the marked point and fix it on the original wire harness with the supplied cable ties. Mount the front axle electronic kit with the supplied edge clips and cable ties on the chassis edge.



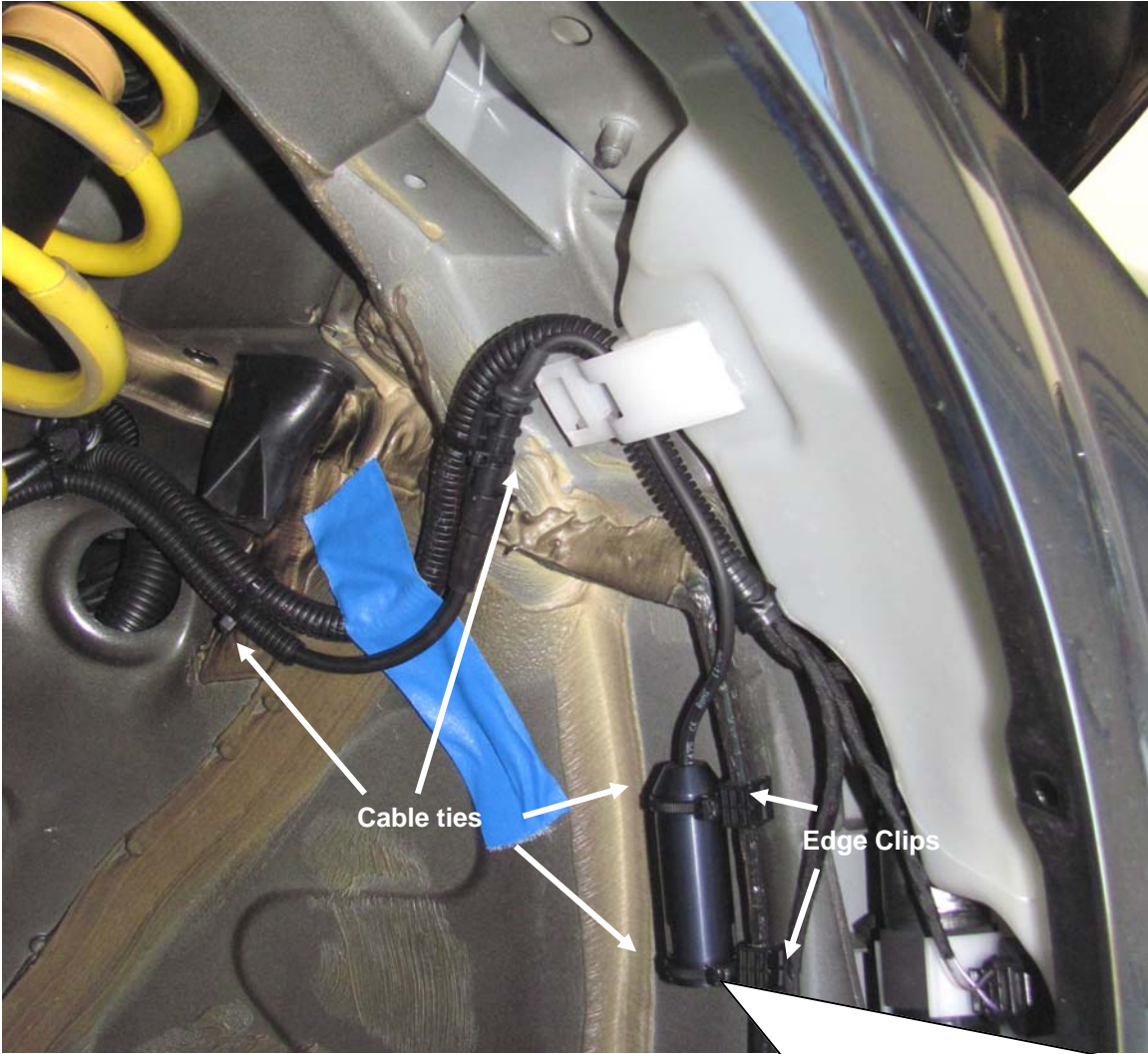
| | | |
|----------------------------------|--|-----------------------------|
| Installation Instructions | | <i>KW automotive</i> |
|----------------------------------|--|-----------------------------|

| | | |
|-----------------|------------|--|
| Instruction No. | 685 10 124 | |
|-----------------|------------|--|

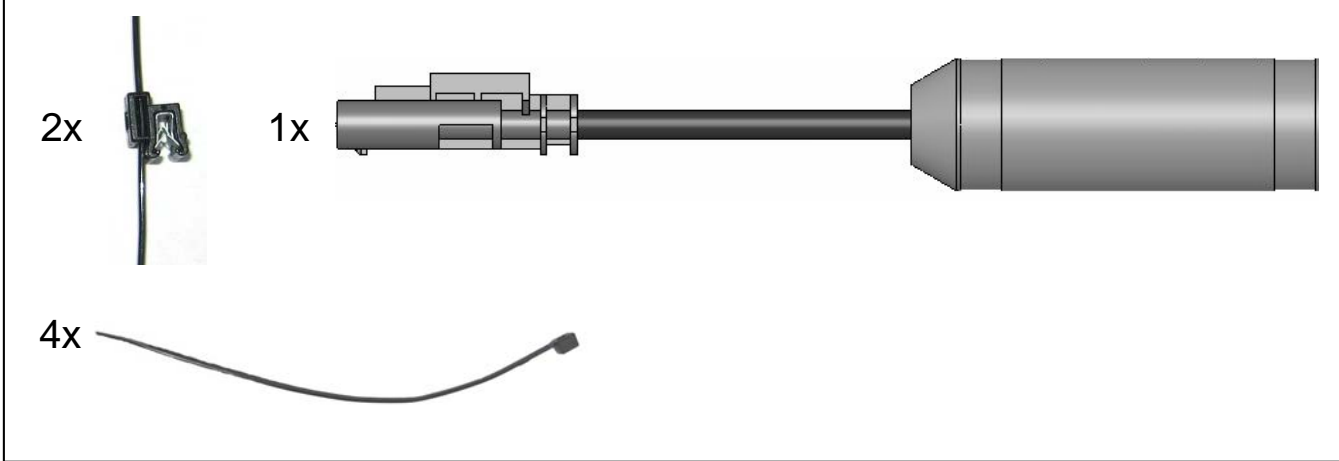
Front axle:

Left vehicle side.

Run the original shock absorber cable along the marked point and fix it on the original wire harness with the supplied cable ties.
Mount the front axle electronic kit with the supplied edge clips and cable ties on the chassis edge.



Assembly area front axle electronic kit

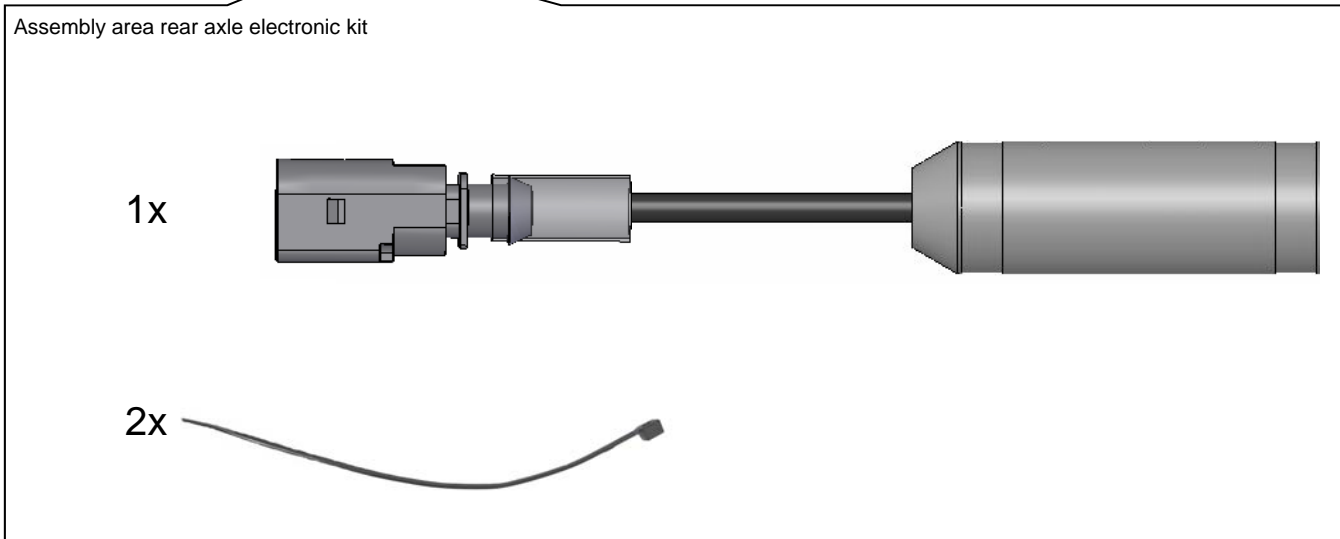
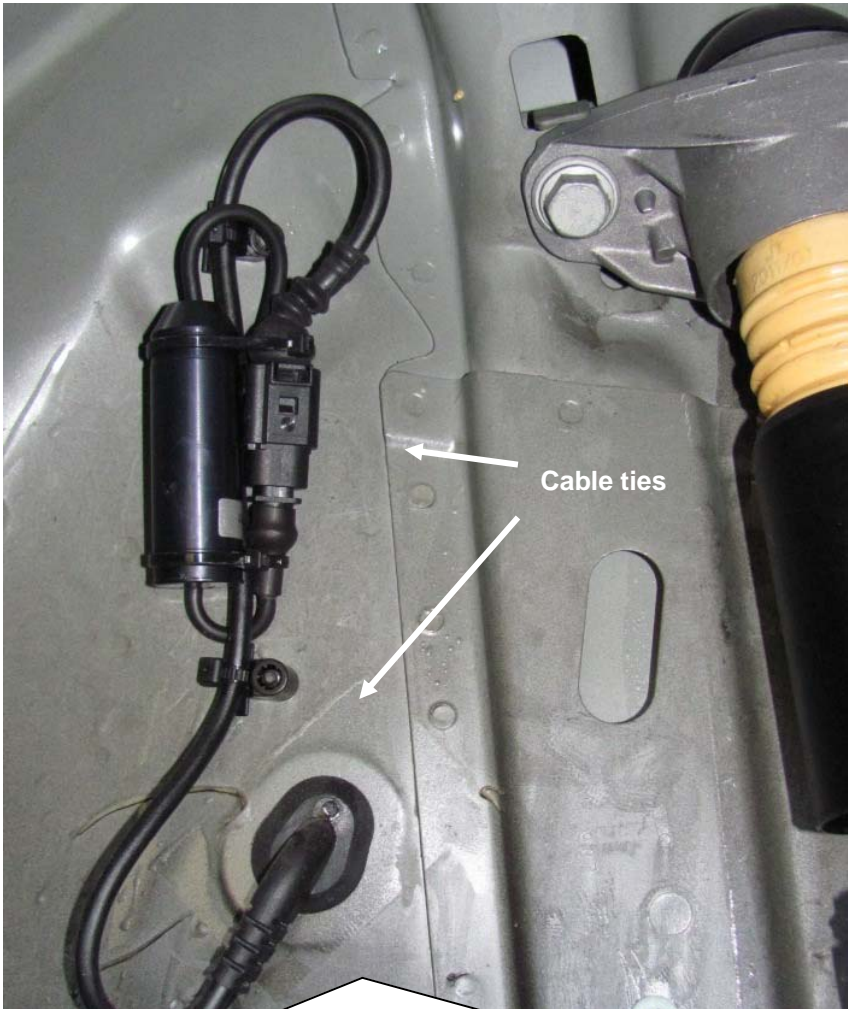


| | | |
|----------------------------------|------------|----------------------|
| Installation Instructions | | <i>KW automotive</i> |
| Instruction No. | 685 10 124 | |

Rear axle:

Left vehicle side.

Run the original shock absorber cable along the marked point and fix it on the original wire harness with the supplied cable ties. Mount the rear axle electronic kit with the supplied cable ties on the chassis.



| | | |
|----------------------------------|------------|----------------------|
| Installation Instructions | | <i>KW automotive</i> |
| Instruction No. | 685 10 124 | |

Rear axle:

Right vehicle side.

Run the original shock absorber cable along the marked point and fix it on the original wire harness with the supplied cable ties. Mount the rear axle electronic kit with the supplied cable ties on the chassis.



Assembly area rear axle electronic kit

1x



2x

