

Installation Instructions		<i>KW automotive</i>
Instruction No.	685 10 124	

KW automotive

685 10 124
INSTALLATION INSTRUCTIONS
Cancellation kit

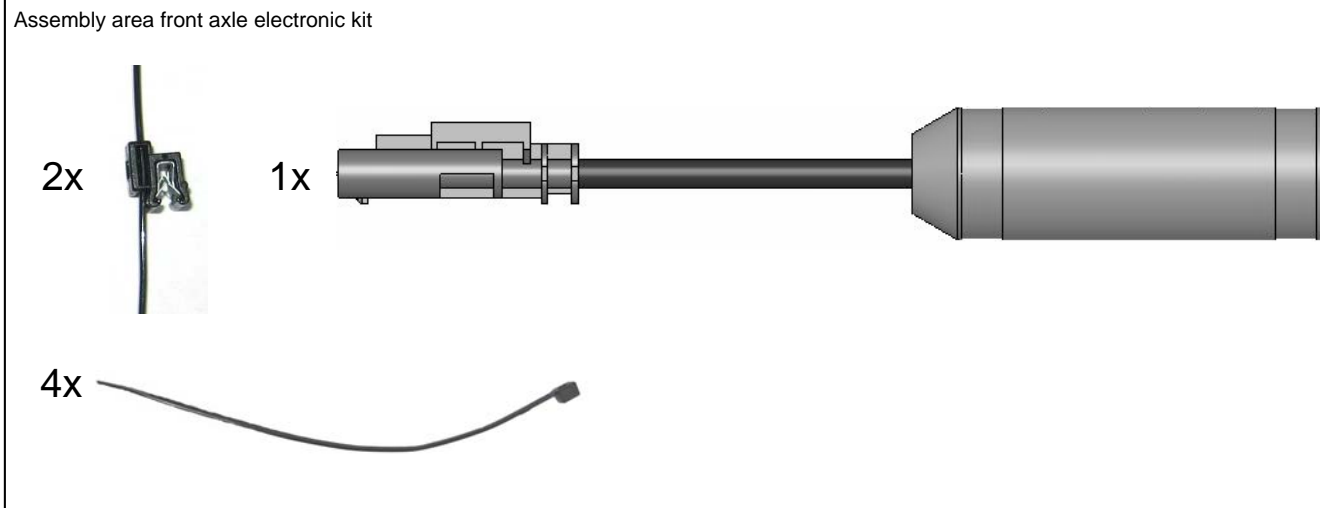
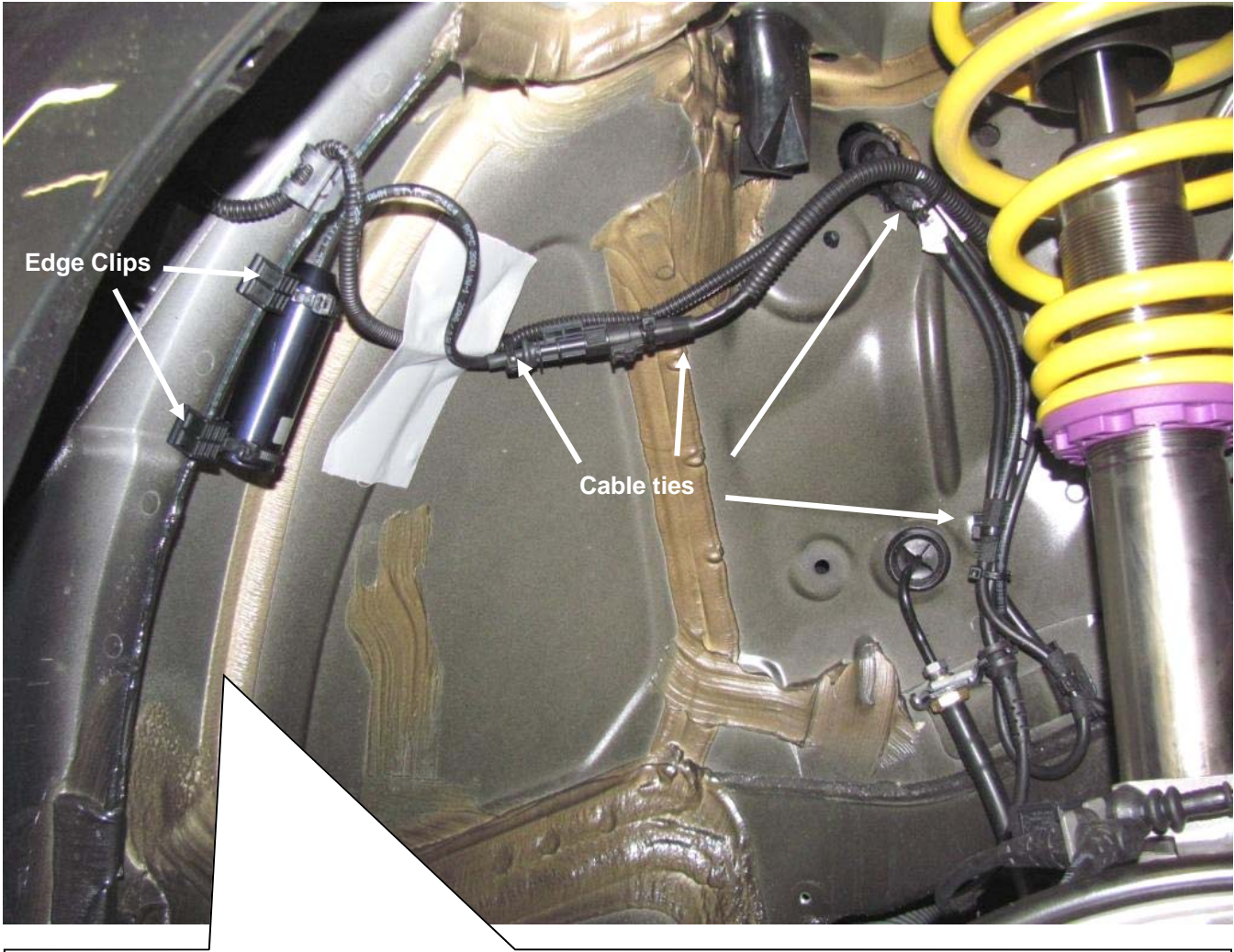
Installation Instructions		<i>KW automotive</i>
----------------------------------	--	-----------------------------

Instruction No.	685 10 124	
-----------------	------------	--

Front axle:

Right vehicle side.

Run the original shock absorber cable along the marked point and fix it on the original wire harness with the supplied cable ties.
Mount the front axle electronic kit with the supplied edge clips and cable ties on the chassis edge.

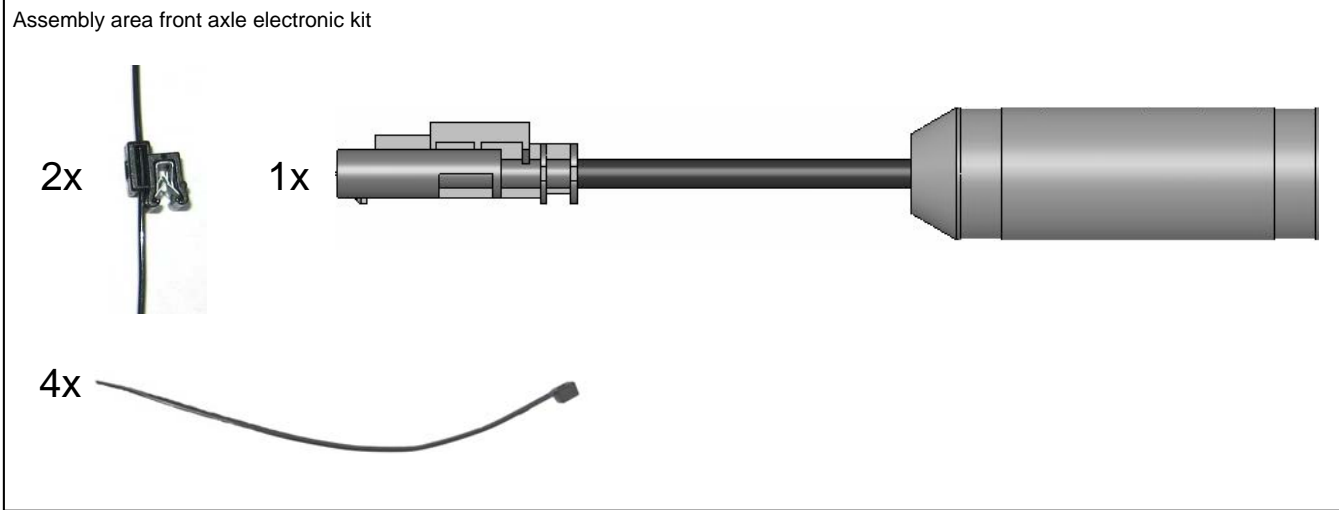
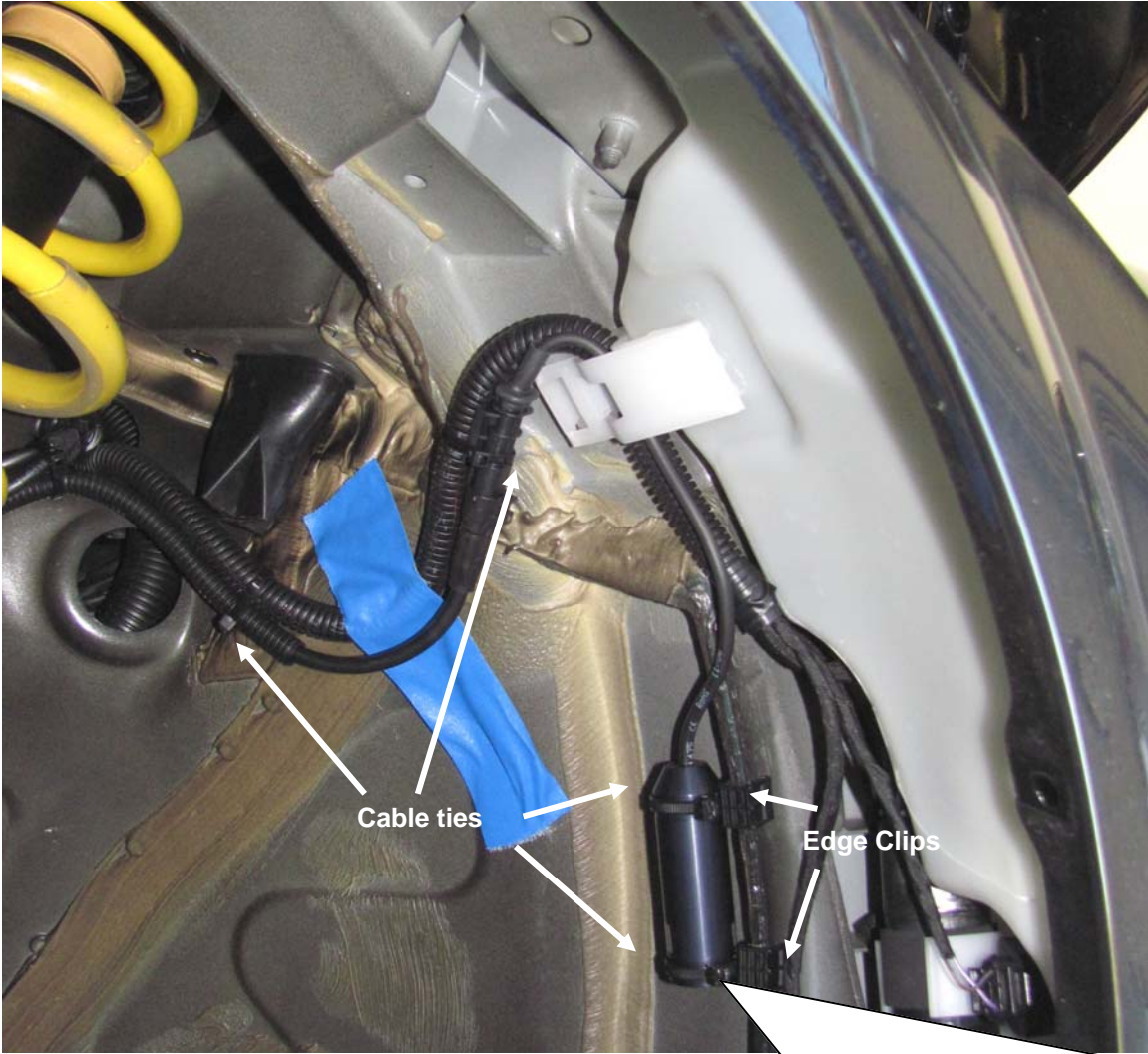


Installation Instructions		<i>KW automotive</i>
Instruction No.	685 10 124	

Front axle:

Left vehicle side.

Run the original shock absorber cable along the marked point and fix it on the original wire harness with the supplied cable ties. Mount the front axle electronic kit with the supplied edge clips and cable ties on the chassis edge.

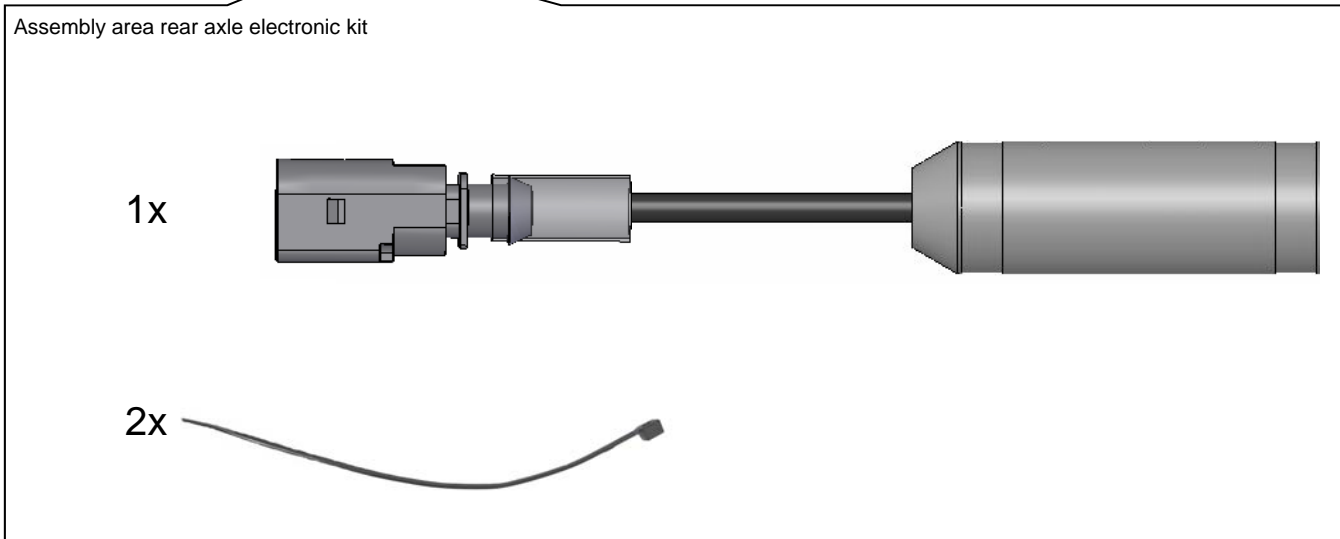
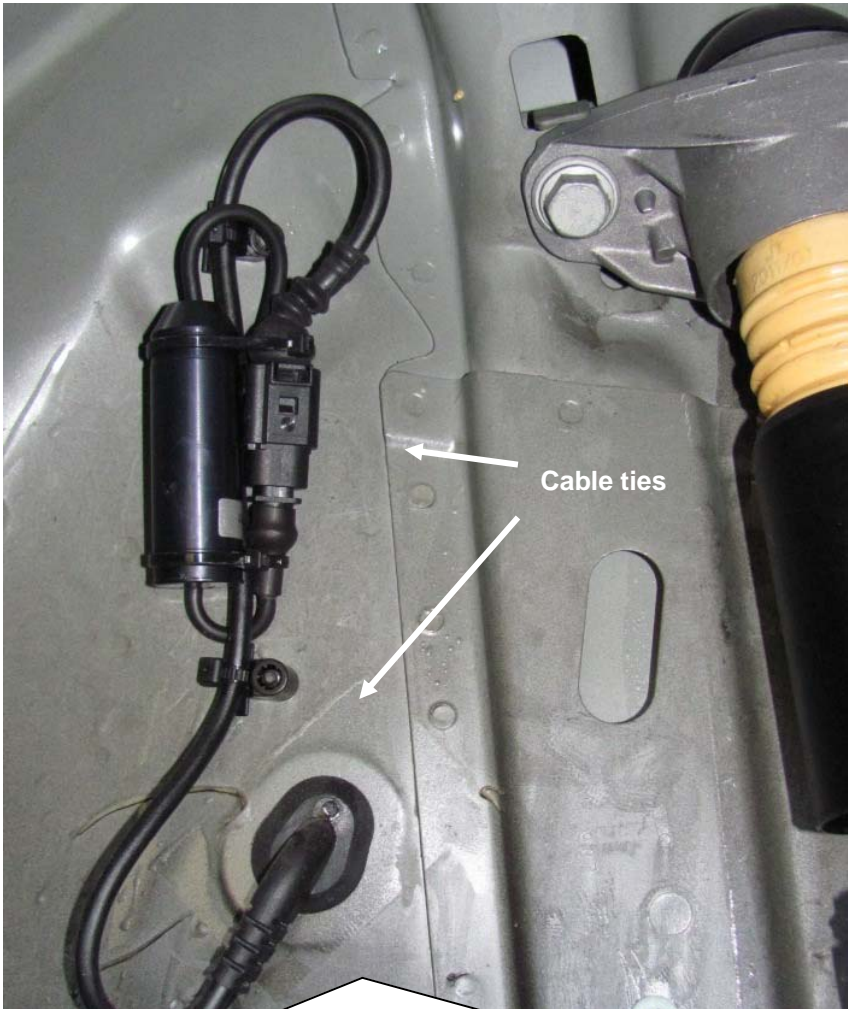


Installation Instructions		<i>KW automotive</i>
Instruction No.	685 10 124	

Rear axle:

Left vehicle side.

Run the original shock absorber cable along the marked point and fix it on the original wire harness with the supplied cable ties. Mount the rear axle electronic kit with the supplied cable ties on the chassis.



Installation Instructions		<i>KW automotive</i>
Instruction No.	685 10 124	

Rear axle:

Right vehicle side.

Run the original shock absorber cable along the marked point and fix it on the original wire harness with the supplied cable ties. Mount the rear axle electronic kit with the supplied cable ties on the chassis.

