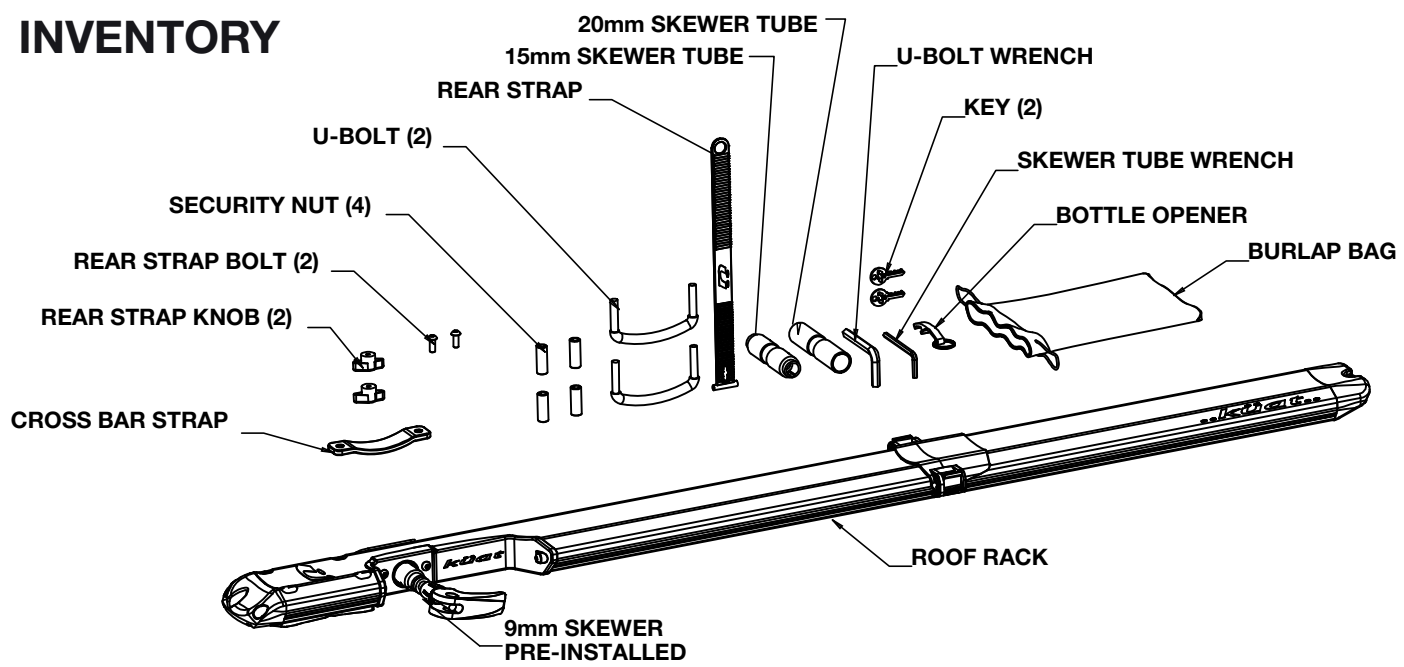


*..küat<sup>®</sup>..*  
(koo-at)

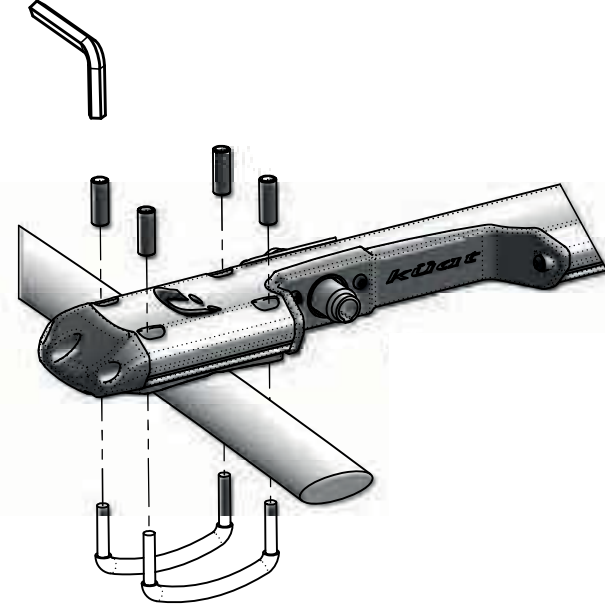


TM  
FRIO

# INVENTORY

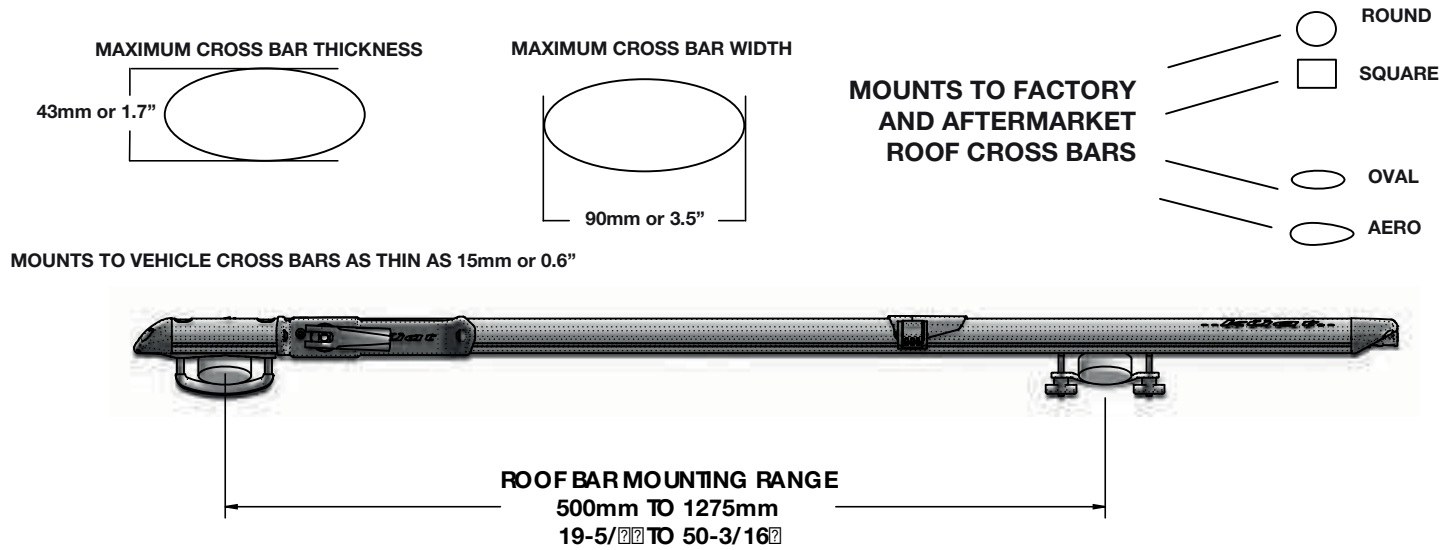


# FRONT VEHICLE RACK MOUNTING

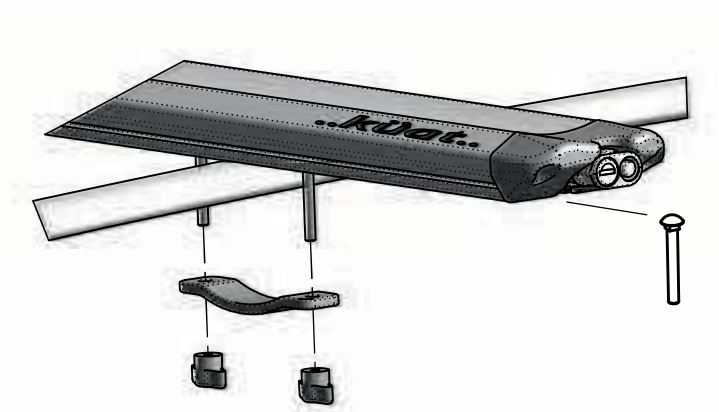


**FRONT CROSS BAR INSTALL**  
 Hand thread all security barrel nuts prior to using 5 sided security wrench. Alternate tightening of each barrel nut until tight. **WARNING** Excessive overtightening may dent vehicle cross bar.

# MOUNTING RANGE

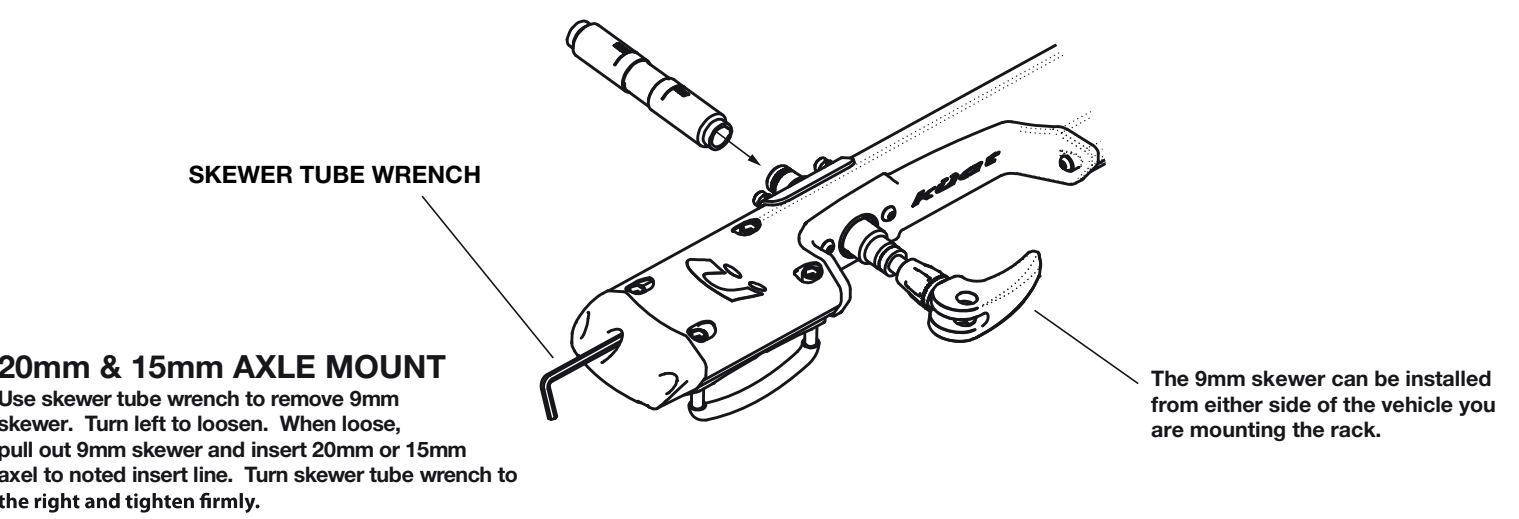


# REAR VEHICLE RACK MOUNTING

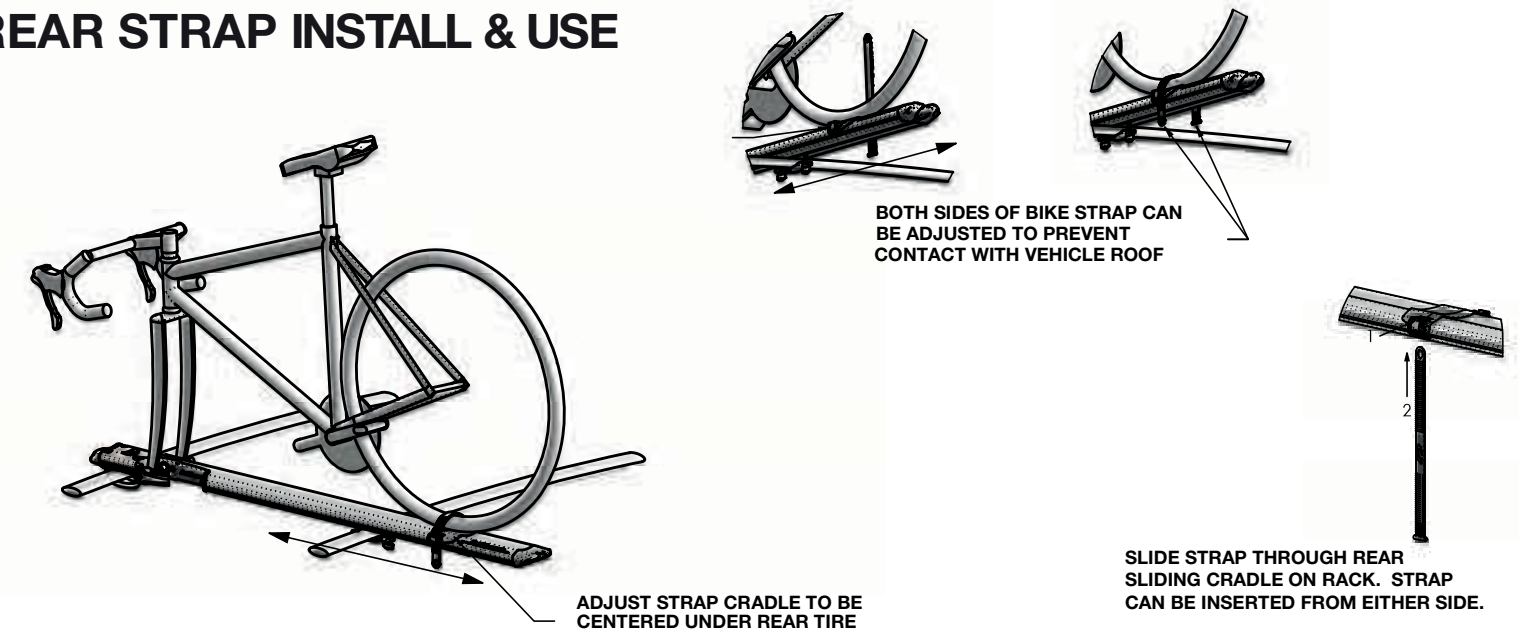


**REAR CROSS BAR INSTALL**  
 Slide rear strap bolts into slot on bottom of Roof rack. Place cross bar strap over strap bolts and thread on knobs by hand. Tighten firmly.

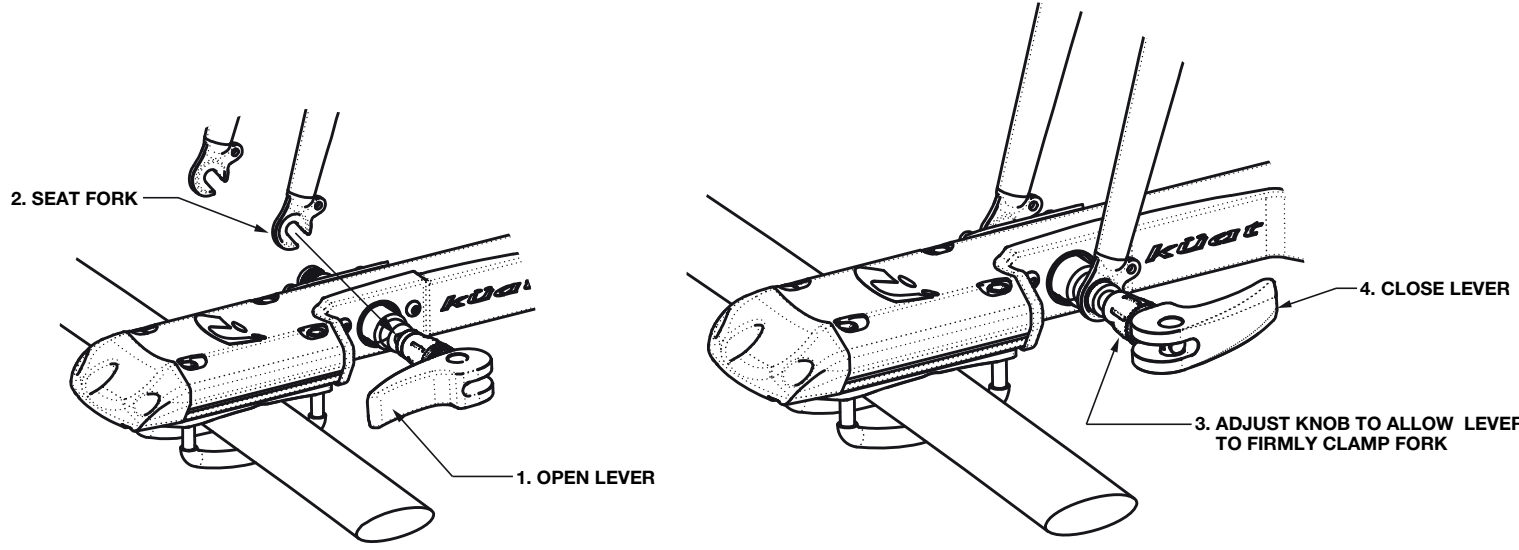
# SKEWER/AXLE INSTALL



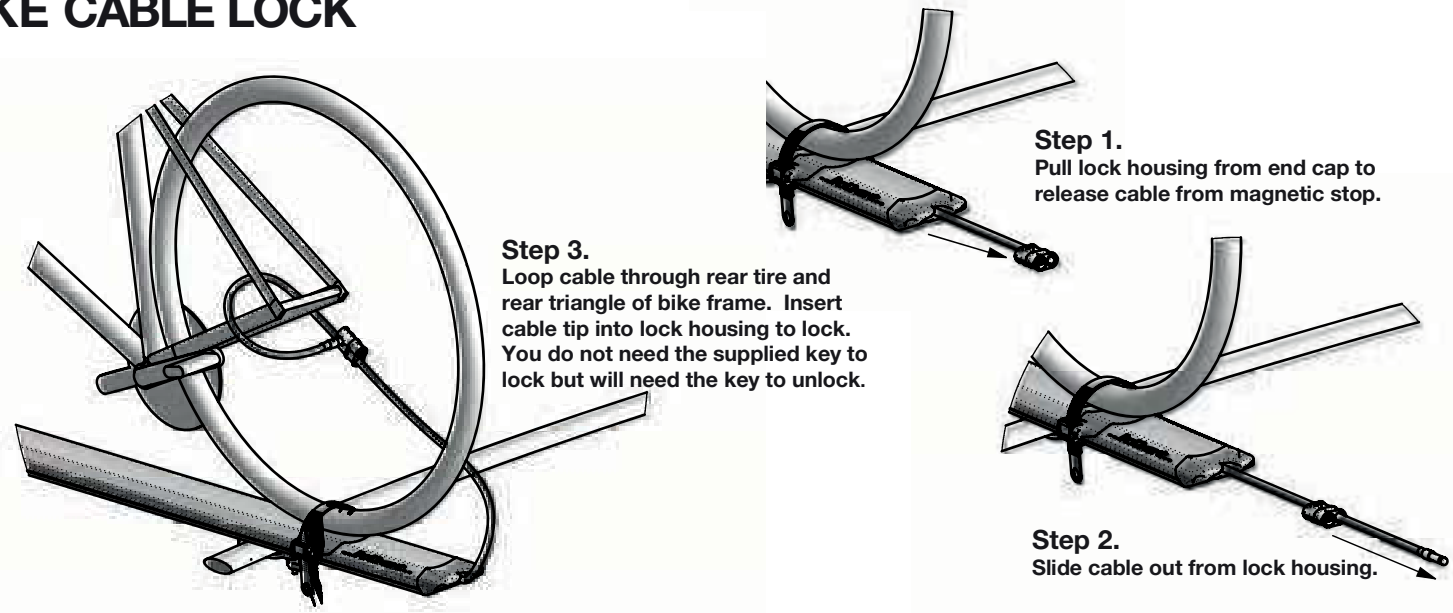
# REAR STRAP INSTALL & USE



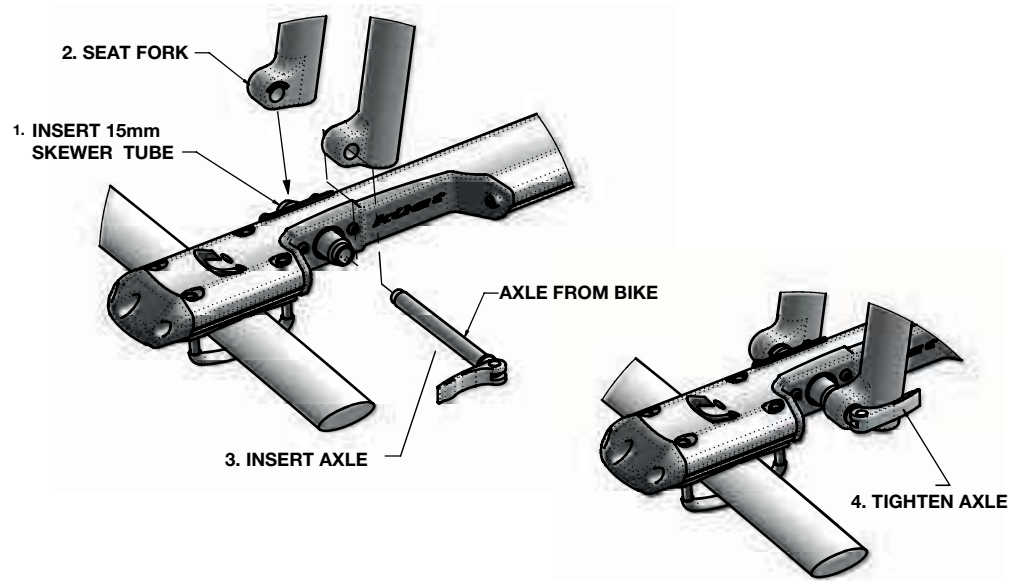
**BIKE FORK MOUNTING-9mm**



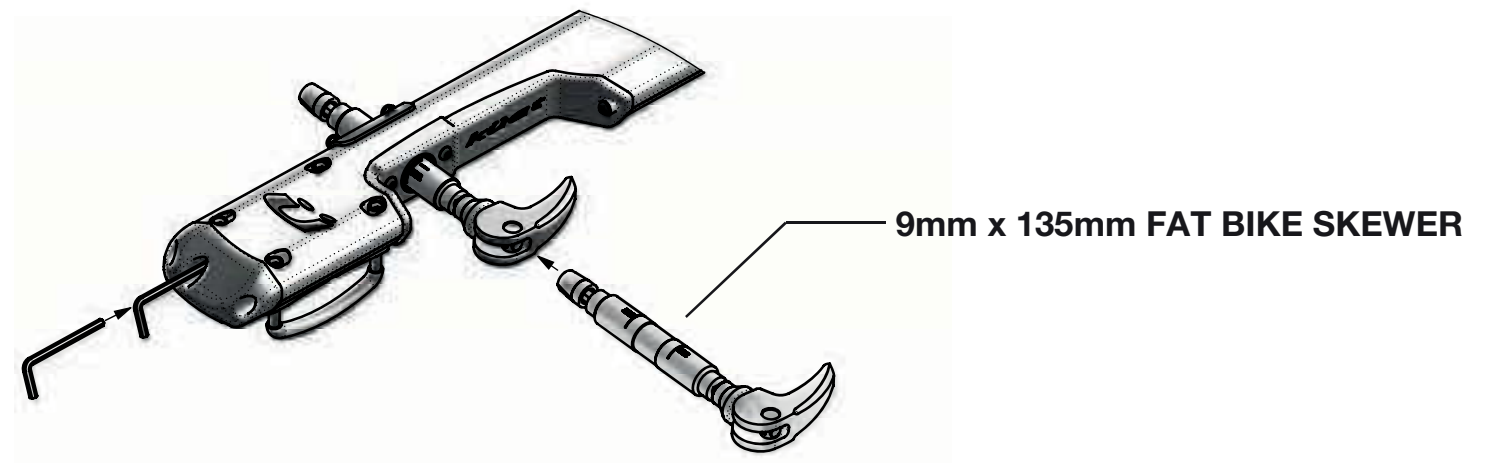
**BIKE CABLE LOCK**



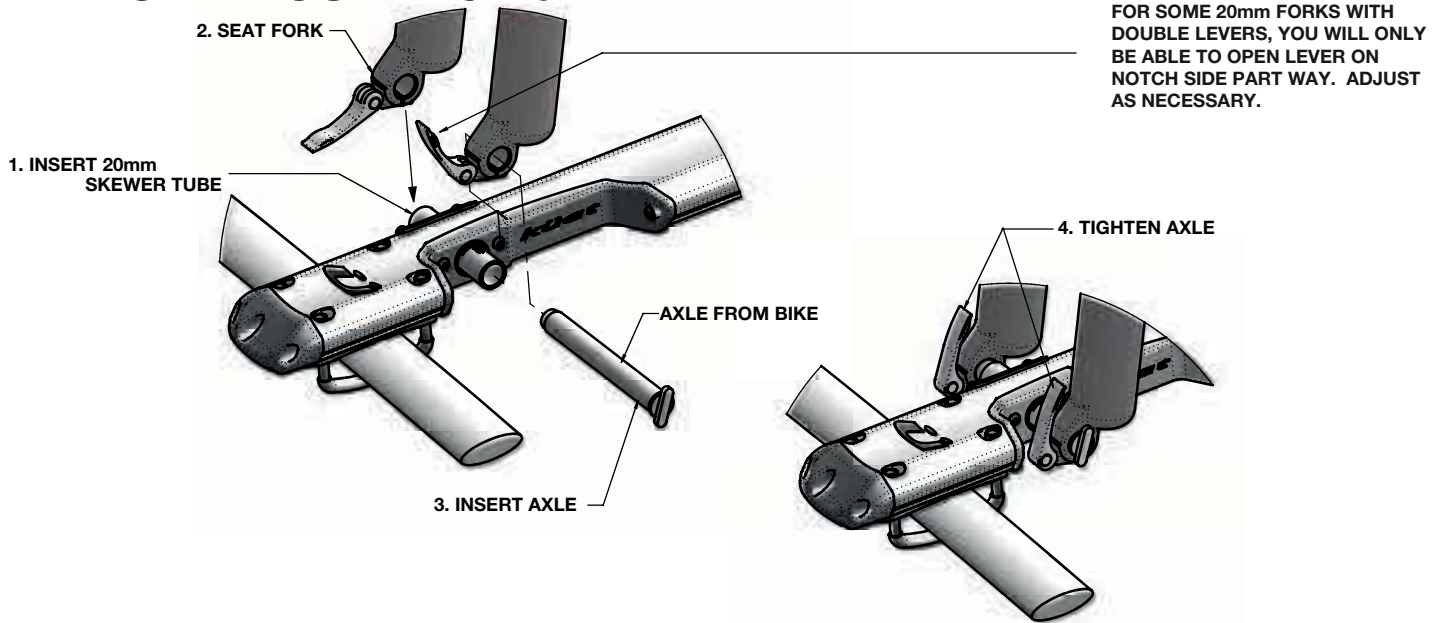
**BIKE FORK MOUNTING-15mm**



Fat tire skewer adapters are also available from Küat or your local dealer.



**BIKE FORK MOUNTING-20mm**



Rely only on high-grade bike racks on our virtual shelves.