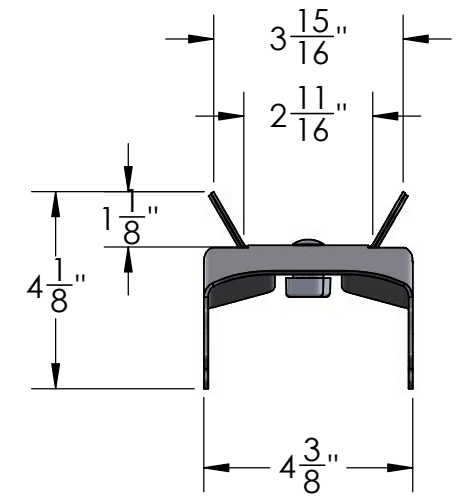
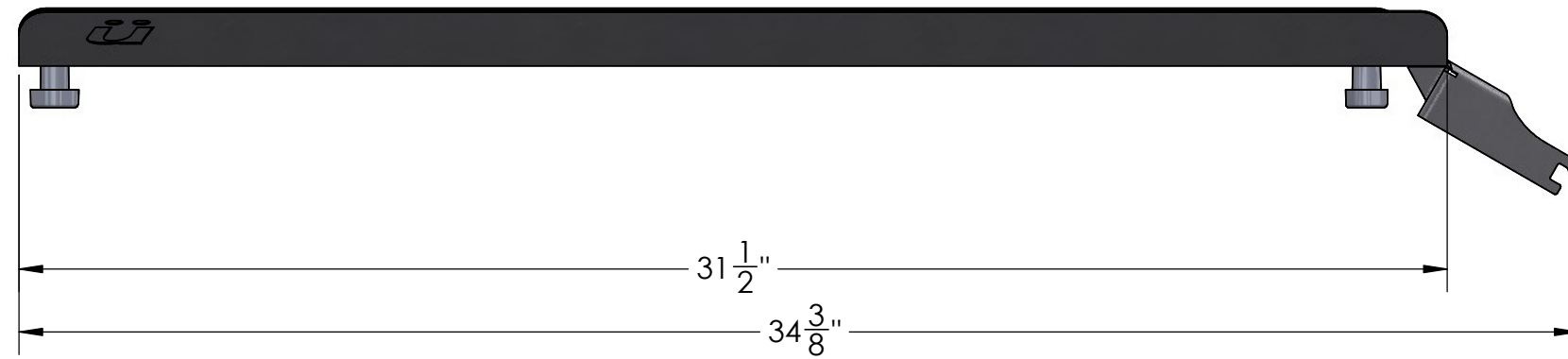


ACCESS BIKE RAMP FOR NV 2.0 FAMILY

RAMP FULL RETRACT



RAMP FULL EXTEND

