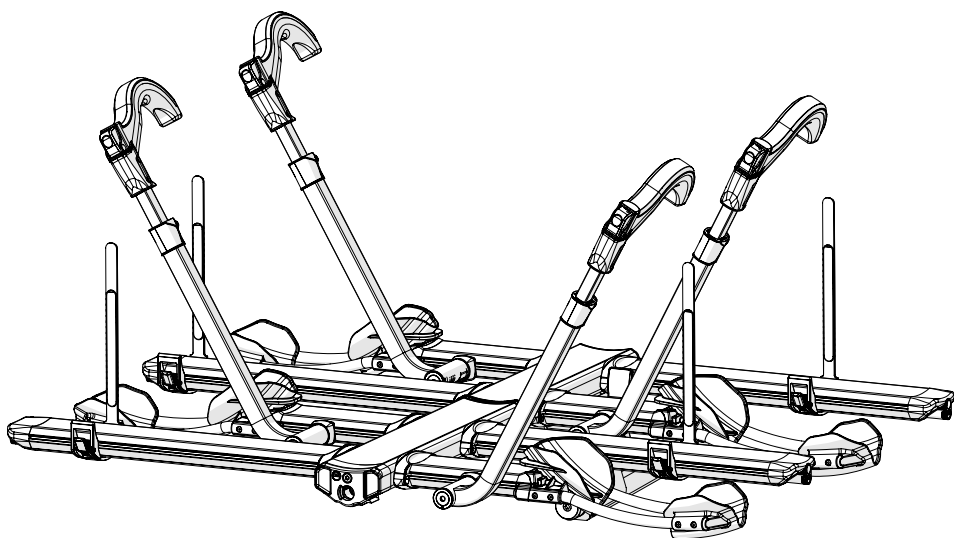


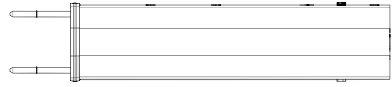
*..küat..*

**NV™ 2.0**  
**ADD-ON**

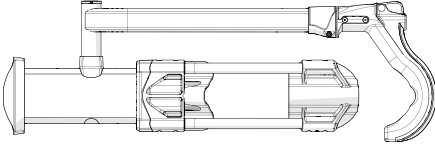


Compatible with 2" NV only.

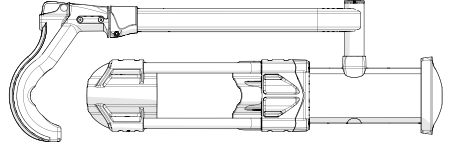
# Parts:



Add-on Center Beam



Outer Front Tire Tray



Inner Front Tire Tray

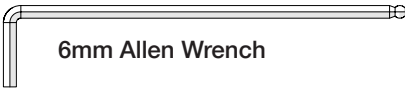


Outer Rear Tire Tray

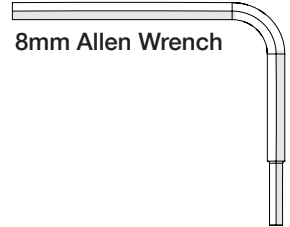


Inner Rear Tire Tray

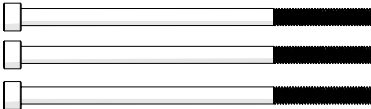
## Included in the parts box:



6mm Allen Wrench



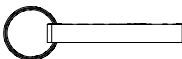
8mm Allen Wrench



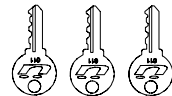
3x M8x160 Bolts



4x M8 Nut



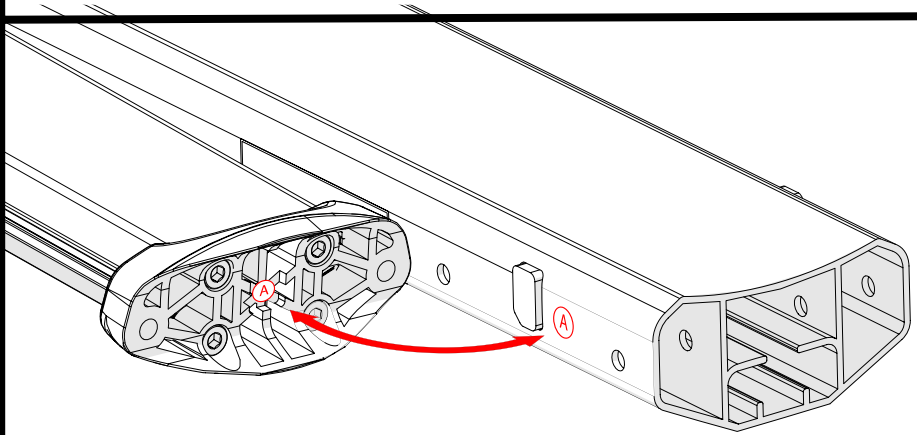
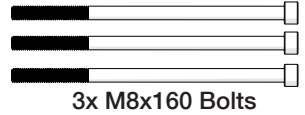
Bottle Opener  
Key-chain



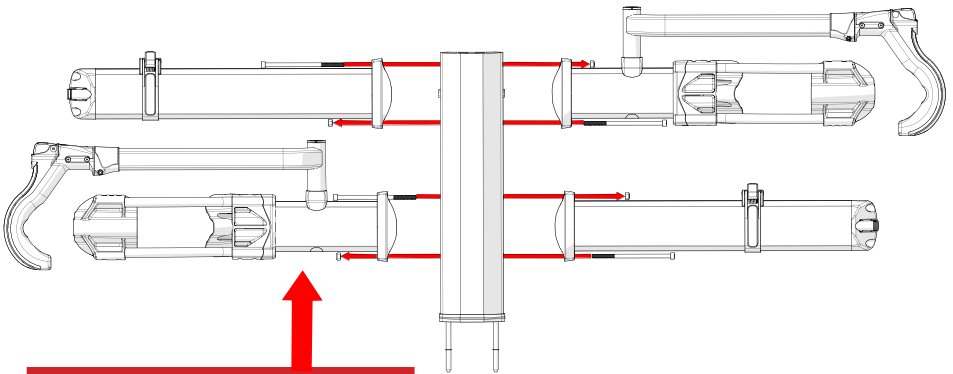
3x Keys

**STEP 1.** Align the trays with the holes on the center-beam by matching the coordinating labels. Then alternate between bolts to tighten.

**Parts Needed:**

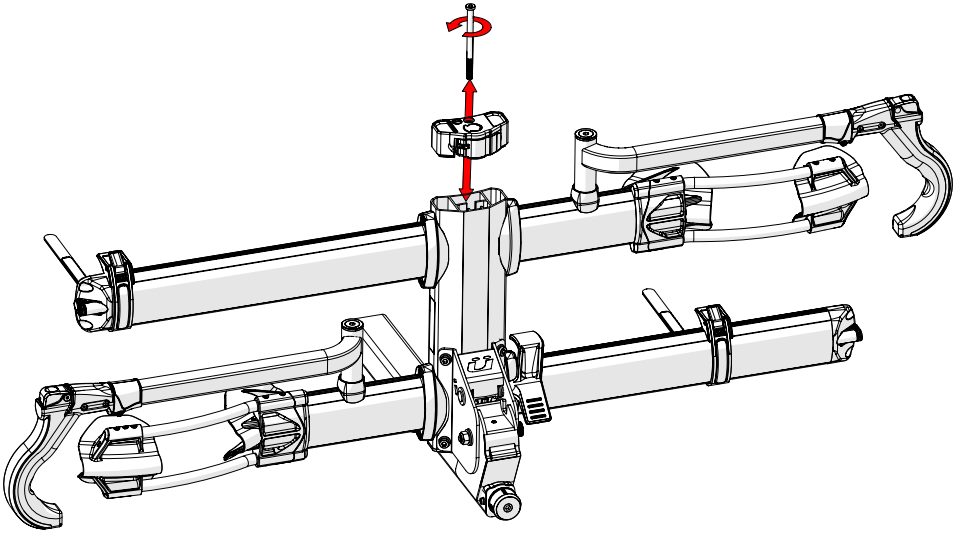


**NOTE:** The trays with the “..Küat..” Logo will be farthest from the hitch. Performing this step with the rack upside down will ease assembly.

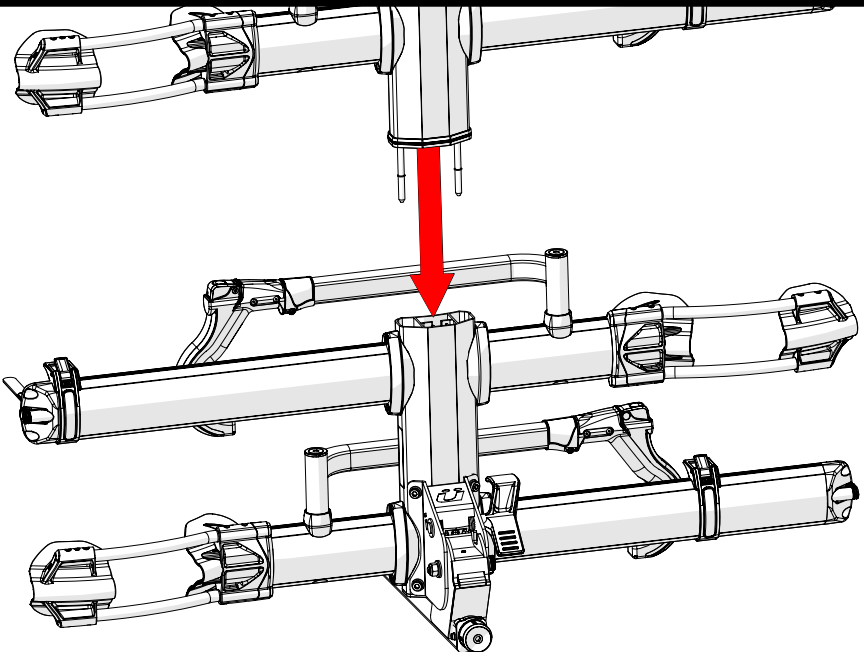


**NOTE:** This tray has the M8x160 bolt pre-installed.

**STEP 2.** Remove the end cap from your NV 2.0.

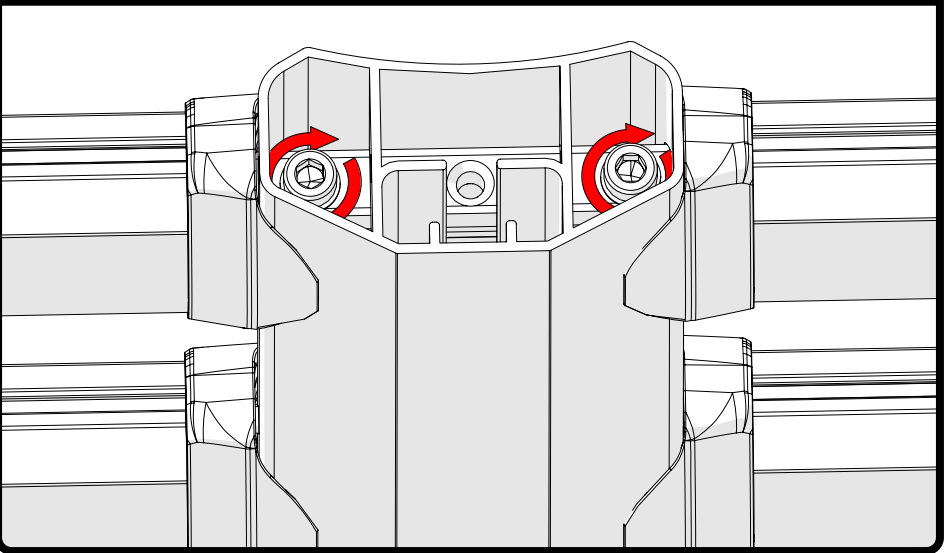


**STEP 3.** Connect the Add-on to the NV 2.0 while aligning the bolts with the threaded holes found in the center beam on the NV.

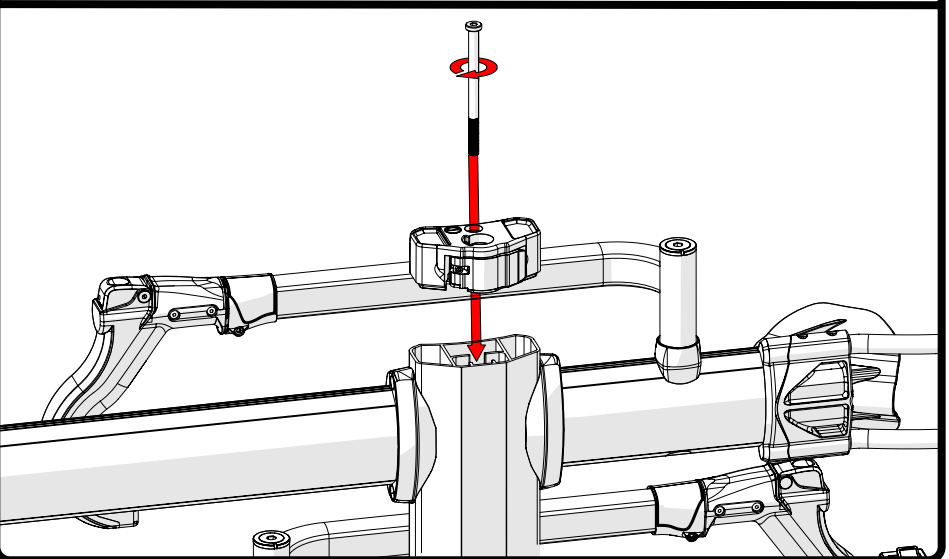


**STEP 4.** Using an 8mm allen wrench alternate tightening the bolts.

**NOTE:** Tighten the bolts and check bolt tightness periodically.



**STEP 5** Reattach the end cap to the rack.



# Kuat Rack Warnings

## NV™ 2.0 ADD-ON

Number Of Bikes

4

Weight Per Bike

40 lb  
18.2 kg

Max Wheelbase

48 in  
1219 mm

Max Tire Width

4.8 in  
121 mm

### **Kuat No Worries Warranty**

Our "No Worries Warranty" has you covered like the poncho in your backpack or the winch on your bumper, there when you need it. The goal? To ensure your Kuat product performs as intended, over time, every time, for life.

### **WARNINGS**

- Follow instructions for proper assembly, mounting and loading procedures.
- Check tightness of all bolts and screws periodically.
- Make sure the rack and your vehicle receiver are in good working condition before each use.
- If bicycle tire exceeds the width of 3in you must use Phat Tire kit.  
DO NOT EXCEED MAX TIRE WIDTH OF 4.8in
- Do not use rack off-road.
- Do not use hitch extenders with this product.
- Do not use this product on a recreational vehicle or trailer.
- Do not use rain or wind-covers or tarps with this product.
- Place the front tire clamp next to the front fork.
- Do not take through automatic carwash.
- Do not use front tire bicycle fenders with this product.