



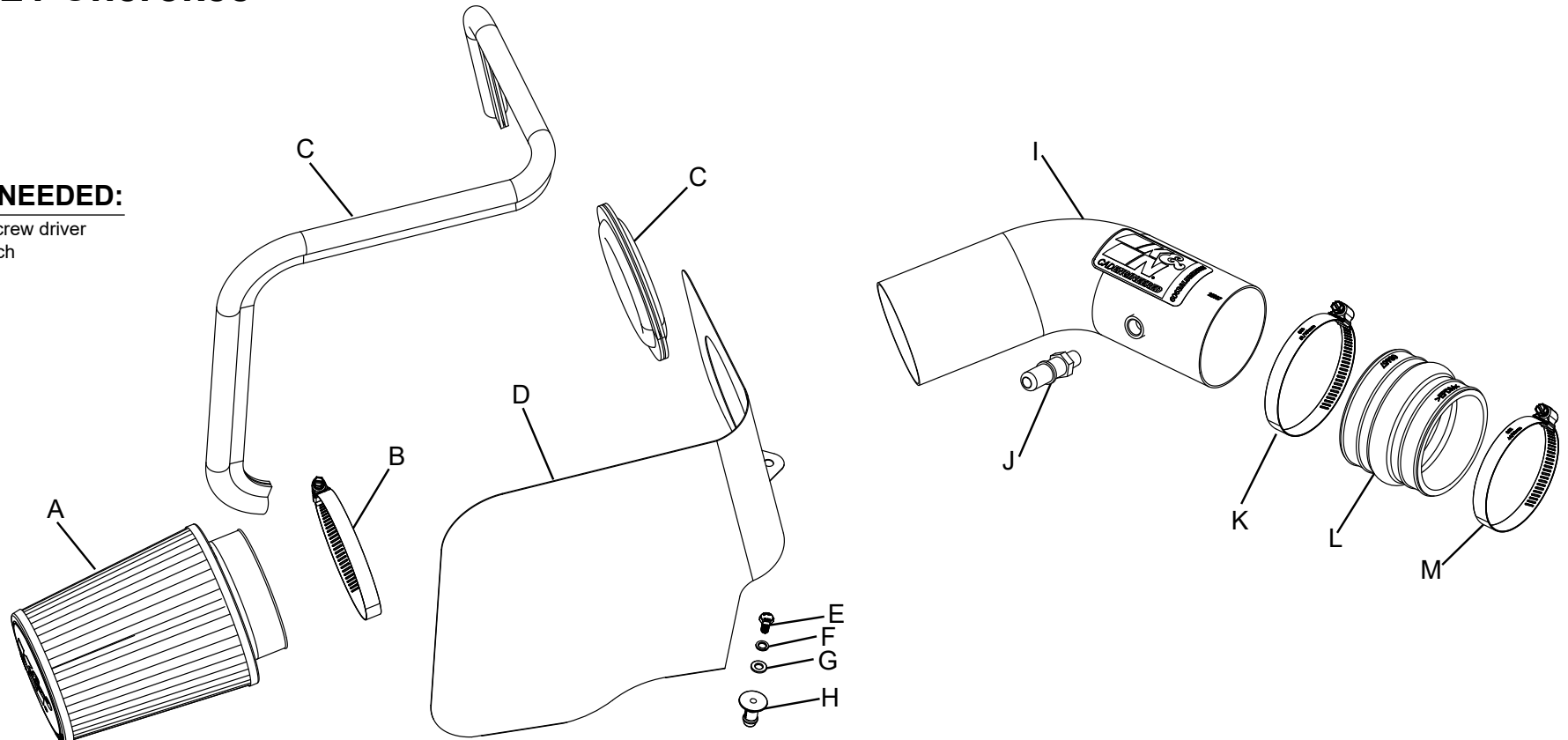
NOT LEGAL FOR SALE OR USE ON ANY POLLUTION CONTROLLED MOTOR VEHICLE IN CALIFORNIA OR STATES ADOPTING CALIFORNIA EMISSION PROCEDURES.

INSTALLATION INSTRUCTIONS

77-1585KC JEEP 2019-21 Cherokee 3.2L

TOOLS NEEDED:

Flat blade screw driver
10mm wrench
3/4" wrench



PARTS LIST:

Description	Qty.	Part #	Description	Qty.	Part #	Description	Qty.	Part #
A AIR FILTER	1	RU-4630	F WASHER; 6MM FLAT	1	08269	K HOSE CLAMP #56	1	08620
B HOSE CLAMP #60	1	08624	G WASHER; M6 SPLIT LOCK	1	1-3025	L HOSE; HUMP 3.25"ID-3.5"ID	1	08657
C EDGE TRIM; 50"L	1	102481	H MOUNT, PLASTIC AIRBOX	1	8-186-1	M HOSE CLAMP #52	1	08610
D HEAT SHIELD	1	073199	I TUBE; 3.5"OD X 12"L	1	25837C			
E BOLT; M6 X 1.00 X 12MM	1	07727	J VENT; 1/4 NPT	1	082628			

NOTE: FAILURE TO FOLLOW INSTALLATION INSTRUCTIONS AND NOT USING THE PROVIDED HARDWARE MAY DAMAGE THE INTAKE TUBE, THROTTLE BODY AND ENGINE.

TO START:

1. Turn off the ignition and disconnect the negative battery cable.

NOTE: Disconnecting the negative battery cable erases pre-programmed electronic memories. Write down all memory settings before disconnecting the negative battery cable. Some radios will require an anti-theft code to be entered after the battery is reconnected. The anti-theft code is typically supplied with your owner's manual. In the event your vehicles anti-theft code cannot be recovered, contact an authorized dealership to obtain your vehicles anti-theft code.



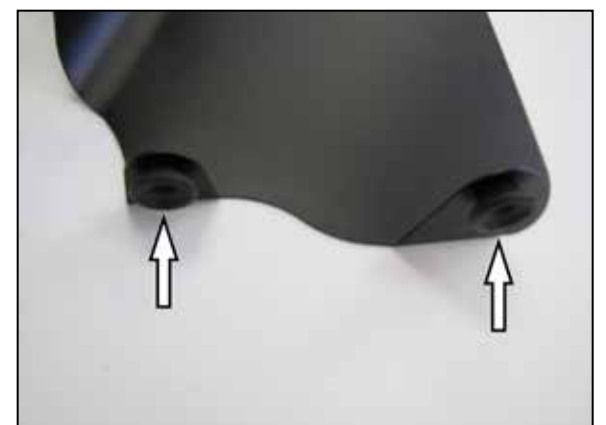
2. Lift off the engine cover and set aside.



3. Release the locking tap and disconnect the crank case vent line from the factory intake tube.



4. Loosen the hose clamp that secures the intake tube to the intake plenum. Disconnect the intake tube and then remove the complete intake system.



5. Remove the two factory mounting grommets from the factory air filter housing and install them into the K&N heat shield as shown.



6. Install the air box mounting stud onto the K&N heat shield using the provided hardware.



7. Cut the provided edge trim into two sections as shown.



8. Install the 13.5" edge trim into the hole of the heat shield and install the 36" edge trim around the outside of the heat shield as shown.



9. Install the heat shield into the vehicle so the mounting grommets and studs engage.



10. Install the vent fitting into the K&N intake tube as shown.



11. Install the K&N intake tube through the heat shield and then secure it to the intake plenum using the coupler and hose clamps provided.



12. Connect the factory crank case vent hose to the quick connect fitting installed into the K&N intake tube.



13. Install the K&N air filter onto the intake tube and secure with the provided hose clamp.



14. Reconnect the vehicle's negative battery cable. Double check to make sure everything is tight and properly positioned before starting the vehicle.

15. It will be necessary for all K&N® high flow intake systems to be checked periodically for realignment, clearance and tightening of all connections. Failure to follow the above instructions or proper maintenance may void warranty.

ROAD TESTING:

1. Start the engine with the transmission in neutral or park, and the parking brake engaged. Listen for air leaks or odd noises. For air leaks secure hoses and connections. For odd noises, find cause and repair before proceeding. This kit will function identically to the factory system except for being louder and much more responsive.
2. Test drive the vehicle. Listen for odd noises or rattles and fix as necessary.
3. If road test is fine, you can now enjoy the added power and performance from your kit.
4. K&N Engineering, Inc., requires cleaning the intake system's air filter element every 100,000 miles. When used in dusty or off-road environments, our filters will require cleaning more often. We recommend that you visually inspect your filter once every 25,000 miles to determine if the screen is still visible. When the screen is no longer visible some place on the filter element, it is time to clean it. To clean and re-oil, purchase our filter Recharger® service kit, part number 99-5050 or 99-5000 and follow the easy instructions.

NOT LEGAL FOR SALE OR USE ON ANY POLLUTION CONTROLLED MOTOR VEHICLE IN CALIFORNIA OR STATES ADOPTING CALIFORNIA EMISSION PROCEDURES.