

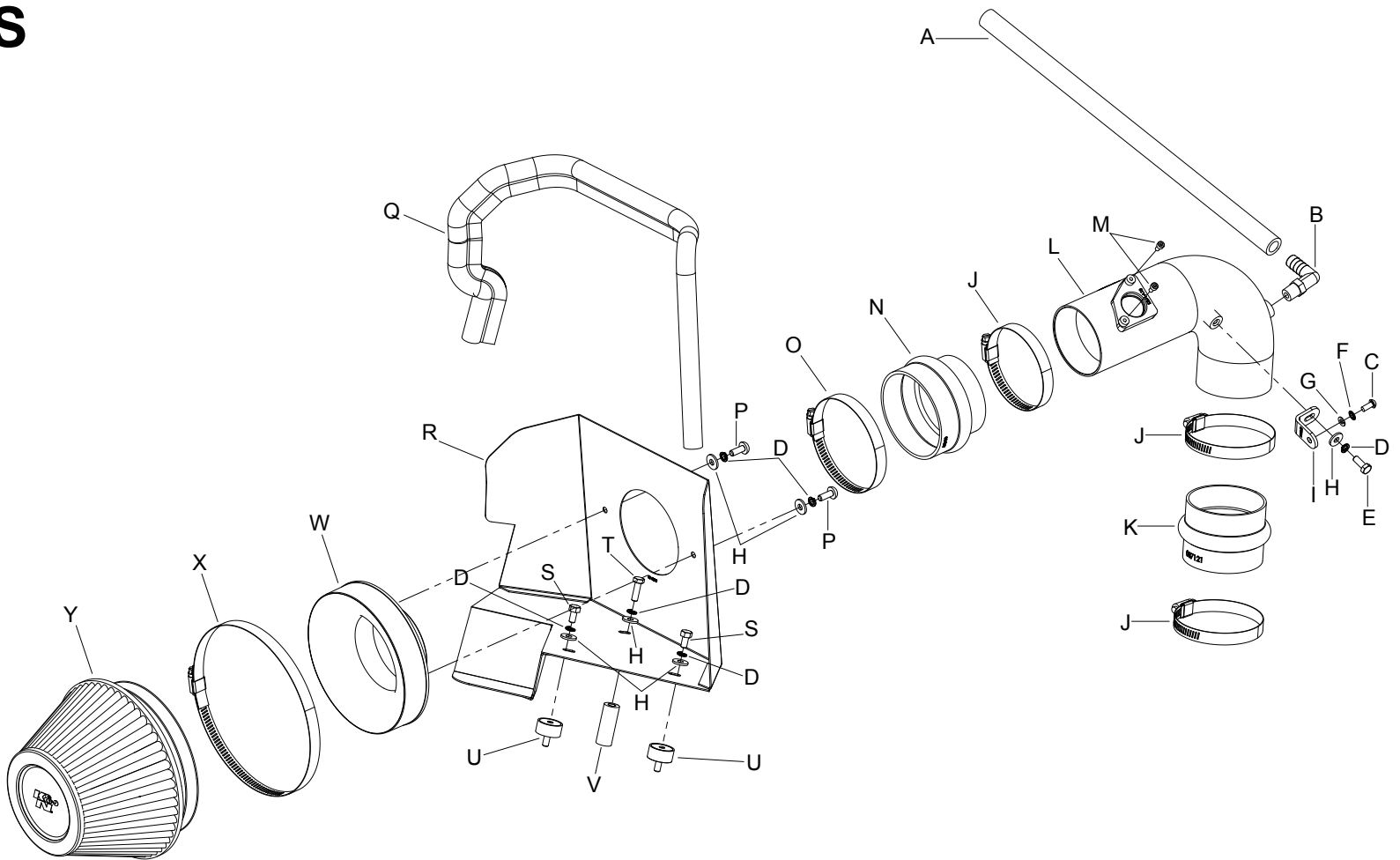
K&N TYPHOON INTAKE SYSTEMS

INSTALLATION INSTRUCTIONS

69-8616TS
SCION
2011-16 TC
L4-2.5L

TOOLS NEEDED:

Ratchet
 Extension
 10mm Socket
 10mm Wrench
 Flat Blade Screwdriver
 Phillips Screwdriver
 Pliers
 3mm Allen Wrench
 5mm Allen Wrench



PARTS LIST:

Description	Qty.	Part #	Description	Qty.	Part #	Description	Qty.	Part #
A Hose; 1/2" ID X 17"L	1	08177	J Hose Clamp #48	3	08601	S Bolt; M6 X 1.00 X 12MM, Hexhead, SS	2	07727
B Vent; 90 DEG, 1/2"Hose, 1/4"NPT	1	08110FK	K Hose; 3"ID X 2-1/2"L Hump Reinforced	1	087121	T Bolt; Hex M6-1 X 65MM	1	1-2095
C Bolt; M5-0.8 X 12MM B/H, SS	1	07734	L Intake Tube	1	27499TS	U Stud; Rubber MNT, M/F, 1/2"L X 1"W	2	070228
D Washer; M6 Split Lock Zinc	6	1-3025	M Bolt; M4-0.07 8MM, A/H Cap, SS	2	07733	V Spacer; 5/8"OD X 5/16"ID X 1-5/8, AL	1	06401
E Bolt; 6MM-1.00 X 16MM,SS	1	07812	N Hose; 3-1/2" to 3" ID X 2-1/2"L Hump	1	084079	W Adapter; Universal, 6" Filter 3.5" Coupler	1	21512-1
F Washer, 5MM Internal Star Cut	1	07724	O Hose Clamp #56	1	08620	X Hose Clamp #104	1	08697
G Washer; 5MM Flat, SS	1	08212	P Bolt; M6 X 1.00 X 16MM, Buttonhead, SS	2	07730	Y Air Filter	1	RP-4600
H Washer; 1/4"ID X 5/8" OD-SAE	6	08275	Q Edge Trim (30")	1	102489			
I Bracket; "L," SML, STL, TB/PC	1	070066	R Heat Shield	1	074099			

NOTE: FAILURE TO FOLLOW INSTALLATION INSTRUCTIONS AND NOT USING THE PROVIDED HARDWARE MAY DAMAGE THE INTAKE TUBE, THROTTLE BODY AND ENGINE.

TO START:

1. Turn off the ignition and disconnect the negative battery cable.

NOTE: Disconnecting the negative battery cable erases pre-programmed electronic memories. Write down all memory settings before disconnecting the negative battery cable. Some radios will require an anti-theft code to be entered after the battery is reconnected. The anti-theft code is typically supplied with your owner's manual. In the event your vehicles' anti-theft code cannot be recovered, contact an authorized dealership to obtain your vehicles anti-theft code.



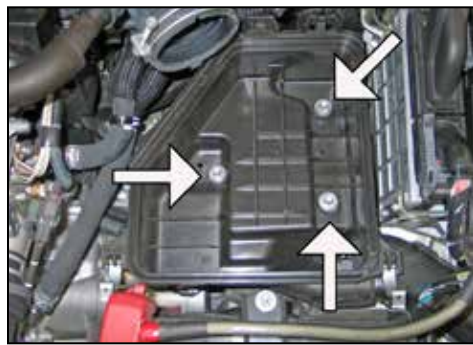
2. Disconnect the mass air sensor electrical connection.



3. Loosen the hose clamp securing the intake hose to the upper air box and release the two clips securing the upper air box to the lower air box.



4. Remove the upper air box and air filter from the vehicle.



5. Remove the three bolts securing the lower air box to the mounting bracket.



6. Unhook the fresh air duct from the lower air box, unhook the engine wiring harness from the rear of the air box and then remove the lower air box from the vehicle.



7. Disconnect the crank case vent hose from the valve cover port.



8. Unhook the EVAP solenoid from the intake tube.



9. Release the clamp securing the intake hose to the throttle body and then remove the intake tube from the vehicle.

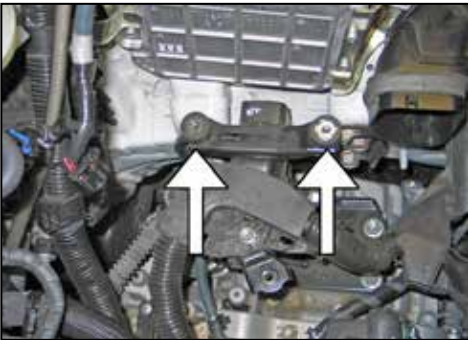
NOTE: K&N Engineering, Inc., recommends that customers do not discard factory air intake.



10. Remove the screw securing the EVAP solenoid mounting bracket and remove the mounting bracket.



11. Install the supplied bracket (070066) onto the EVAP solenoid and secure with the provided hardware.



12. Install the provided rubber mounted studs (2) onto the air box mounting bracket as shown.



13. Install the provided edge trim onto the heat shield as shown.

NOTE: Some trimming of the edge trim will be necessary.



14. Install the heat shield assembly onto the rubber mounted studs, then secure the heat shield with the provided bolts and spacer.



15. Install the filter adapter into the heat shield and secure with the provided hardware.



16. Remove the mass air sensor from the factory air box.



17. Install the mass air sensor into the K&N intake tube and secure with the provided hardware.



18. Install the 90° vent fitting into the K&N intake tube as shown.

NOTE: Plastic NPT fittings are easy to cross thread. Install the vent fitting "hand" tight, then turn it two complete turns with a wrench.



19. Install the provided crank case vent hose onto the vent fitting as shown.



20. Install the provided silicone hose (087121) onto the throttle body end of the K&N intake tube as shown.



21. Install the provided silicone hose (087121) onto the filter adapter as shown.



22. Install the K&N intake tube assembly onto the throttle body and filter adapter, then secure with the provided hose clamps.



23. Secure the EVAP solenoid bracket to the intake tube with the provided hardware.



24. Connect the crank case vent hose to the valve cover port.



25. Install the K&N air filter onto the filter adapter and secure with the provided hose clamp.



26. Reconnect the mass air sensor electrical connection.



27. Reconnect the vehicle's negative battery cable. Double check to make sure everything is tight and properly positioned before starting the vehicle.

28. It will be necessary for all K&N® high flow intake systems to be checked periodically for realignment, clearance and tightening of all connections. Failure to follow the above instructions or proper maintenance may void warranty.

ROAD TESTING:

1. Start the engine with the transmission in neutral or park, and the parking brake engaged. Listen for air leaks or odd noises. For air leaks secure hoses and connections. For odd noises, find cause and repair before proceeding. This kit will function identically to the factory system except for being louder and much more responsive.

2. Test drive the vehicle. Listen for odd noises or rattles and fix as necessary.

3. If road test is fine, you can now enjoy the added power and performance from your kit.

4. K&N Engineering, Inc., requires cleaning the intake system's air filter element every 100,000 miles. When used in dusty or off-road environments, our filters will require cleaning more often. We recommend that you visually inspect your filter once every 25,000 miles to determine if the screen is still visible. When the screen is no longer visible some place on the filter element, it is time to clean it. To clean and re-oil, purchase our filter

Recharger® service kit, part number 99-5050 or 99-5000 and follow the easy instructions.