

K&N TYPHOON INTAKE SYSTEMS

INSTALLATION INSTRUCTIONS

69-6031TS

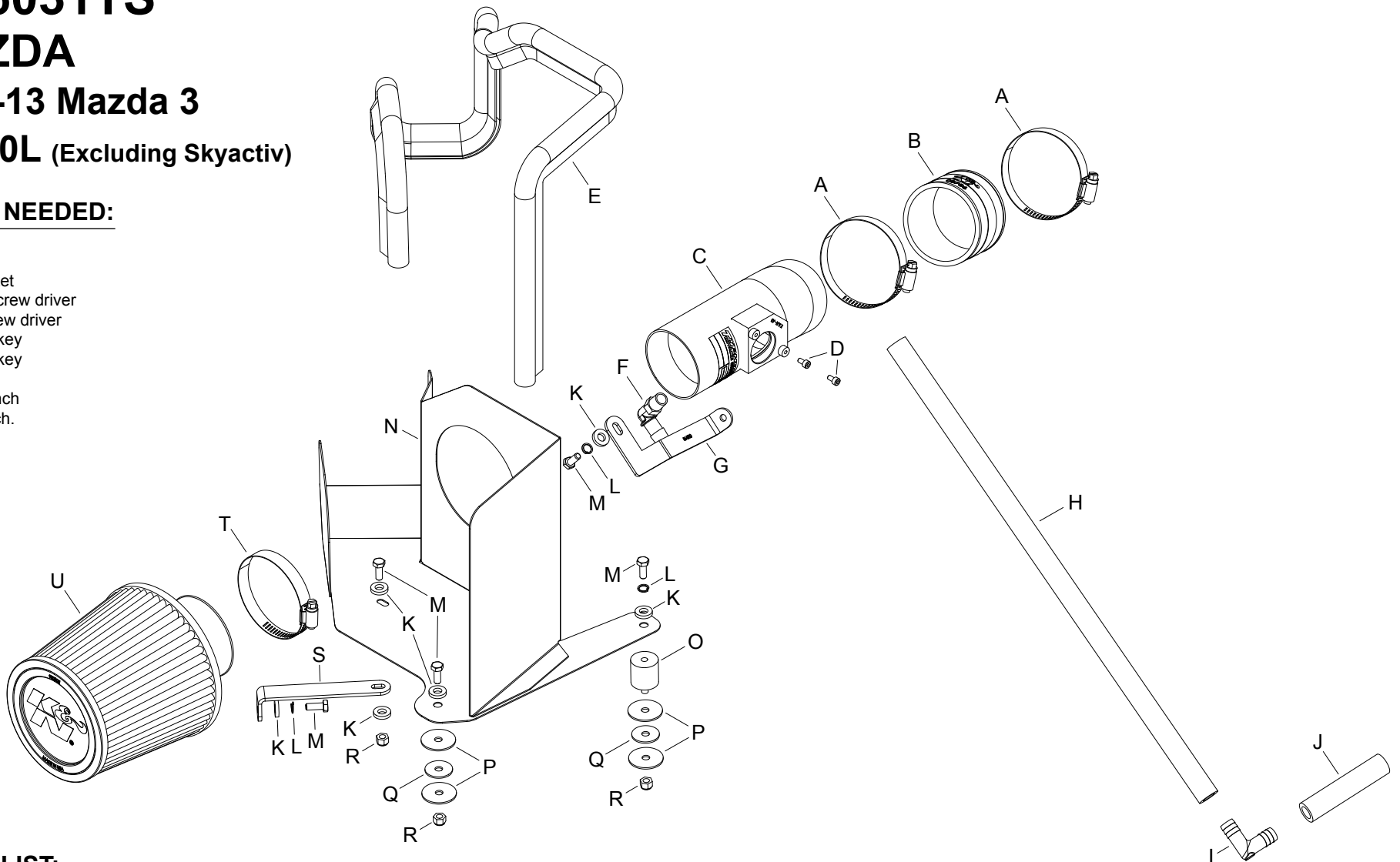
MAZDA

2011-13 Mazda 3

L4-2.0L (Excluding Skyactiv)

TOOLS NEEDED:

Ratchet
Extension
10mm socket
flat blade screw driver
Phillips screw driver
3mm allen key
4mm allen key
pliers
10mm wrench
8mm wrench.



PARTS LIST:

Description	Qty.	Part #	Description	Qty.	Part #	Description	Qty.	Part #
A Hose Clamp #44 Stainless	2	08560	H Hose; 1/2"ID X 20"L	1	08470	O Stud; Rubber Mount, M6 X 1	1	02033
B Hose; 2-3/4"ID X 2"L Molded	1	08756	I Vent; 1/2 X 1/2 Plastic elbow	1	08065	P WASHER; 1.25D X .28 HOL	4	08151
C Intake Tube	1	27608TS	J Hose; 1/2" ID X 3-1/2"L	1	087028	Q Washer; 1" X .300 X .100 Rubber	2	21685
D Bolt; M4-0.07 8MM, A/H Cap, SS	2	07733	K Washer; 1/4"ID X 5/8" OD- SAE	6	08275	R Nut; 6MM Nylock, Hexhead,SS	3	07512
E Edge Trim (44")	1	102486	L Washer; 1/4" Lock, ZN	3	08198	S Bracket; "I", 63-1566, STL, TB/PC	1	083164
F Vent; 90DEG, 1/2" Hose, 1/4"	1	08110FK	M Bolt; 6MM-1.00 X 16MM, SS	5	07812	T Hose Clamp #44	1	08577
G Bracket; "L", 69-6031, STL	1	064310	N Heat Shield	1	073146	U Air Filter	1	RU-4960XD

NOTE: FAILURE TO FOLLOW INSTALLATION INSTRUCTIONS AND NOT USING THE PROVIDED HARDWARE MAY DAMAGE THE INTAKE TUBE, THROTTLE BODY AND ENGINE.

TO START:

1. Turn off the ignition and disconnect the negative battery cable.

NOTE: Disconnecting the negative battery cable erases pre-programmed electronic memories. Write down all memory settings before disconnecting the negative battery cable. Some radios will require an anti-theft code to be entered after the battery is reconnected. The anti-theft code is typically supplied with your owner's manual. In the event your vehicles anti-theft code cannot be recovered, contact an authorized dealership to obtain your vehicles anti-theft code.



2. Disconnect the mass air sensor electrical connection and then unhook the wiring harness from the air box.



3. Disconnect the crank case vent hose and the EVAP vent hose from the factory intake tube.



4. Release the green clip and then disconnect the crank case vent hose from the valve cover port.



5. Remove the bolt shown securing the air box mounting bracket to the core support.



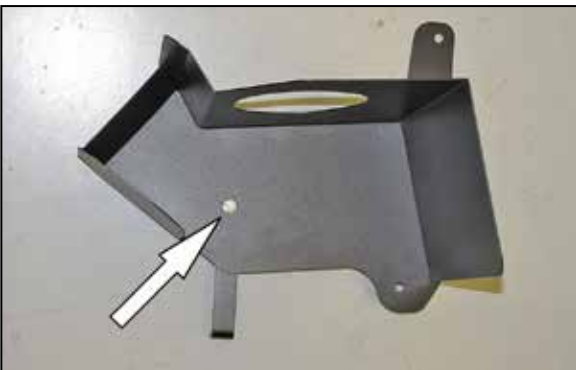
6. Loosen the hose clamp securing the factory intake tube to the throttle body.



7. Lift up the air box to disconnect it from the mounting grommets, then disconnect the fresh air duct and remove the air box from the vehicle.
NOTE: K&N Engineering, Inc., recommends that customers do not discard factory air intake.



8. Remove the two air box mounting grommets shown. Install the provided rubber mounted stud onto inward air box mounting location.
NOTE: Be sure to use the two provided fender washers and rubber washers. The fender washers go on either side of the factory bracket and the rubber washers go between the fender washers.



9. Install the provided bracket (083164) onto the heat shield using the provided hardware.
NOTE: The bracket is to be fastened to the bottom side of the heat shield



10. Install the provided edge trim onto the heat shield as shown.
NOTE: Some trimming of the edge trim will be necessary.



11. Remove the factory body bolt shown from the inner fender.
NOTE: this bolt will be replaced with a longer bolt in the next step.



12. Install the heat shield assembly and secure with the provided hardware.
NOTE: Be sure to use the remaining fender washers and rubber washer at the air box mounting location.



13. Remove the lower rear throttle body mounting bolt shown.
NOTE: This bolt will be reused in the next step.



14. Install the tube mounting bracket onto the throttle body and secure with the factory bolt from the previous step.



15. Remove the mass air sensor from the factory air box.



16. Install the mass air sensor into the K&N® intake tube and secure with the provided hardware.



17. Install the 90° vent fitting into the K&N® intake tube as shown.
NOTE: Plastic NPT fittings are easy to cross thread. Install the vent fitting "hand" tight, then turn it two complete turns with a wrench.



18. Install the provided coupling hose (08756) onto the throttle body and secure with the provided hose clamp.



19. Install the K&N® intake tube assembly into the hose at the throttle body and align with the mounting bracket. Secure the tube with the hardware and hose clamp provided.



20. Install the two provided crank case vent hoses onto the 90° fitting as shown.



21. Connect the long end of the crank case vent hose to the fitting installed into the K&N® intake tube and then attach the open end to the valve cover port.



22. Install the K&N® air filter onto the K&N® intake tube and secure with the provided hose clamp.
NOTE: Drycharger® air filter wrap; part # RX-4990DK is available to purchase separately.



23. Reconnect the mass air sensor electrical connection.



24. Reconnect the vehicle's negative battery cable. Double check to make sure everything is tight and properly positioned before starting the vehicle.

25. It will be necessary for all K&N® high flow intake systems to be checked periodically for realignment, clearance and tightening of all connections. Failure to follow the above instructions or proper maintenance may void warranty.

ROAD TESTING:

1. Start the engine with the transmission in neutral or park, and the parking brake engaged. Listen for air leaks or odd noises. For air leaks secure hoses and connections. For odd noises, find cause and repair before proceeding. This kit will function identically to the factory system except for being louder and much more responsive.

2. Test drive the vehicle. Listen for odd noises or rattles and fix as necessary.

3. If road test is fine, you can now enjoy the added power and performance from your kit.

4. K&N Engineering, Inc., requires cleaning the intake system's air filter element every 100,000 miles. When used in dusty or off-road environments, our filters will require cleaning more often. We recommend that you visually inspect your filter once every 25,000 miles to determine if the screen is still visible. When the screen is no longer visible some place on the filter element, it is time to clean it. To clean and re-oil, purchase our filter Recharger® service kit, part number 99-5050 or 99-5000 and follow the easy instructions.