

K&N TYPHOON INTAKE SYSTEMS

INSTALLATION INSTRUCTIONS

69-5314TS

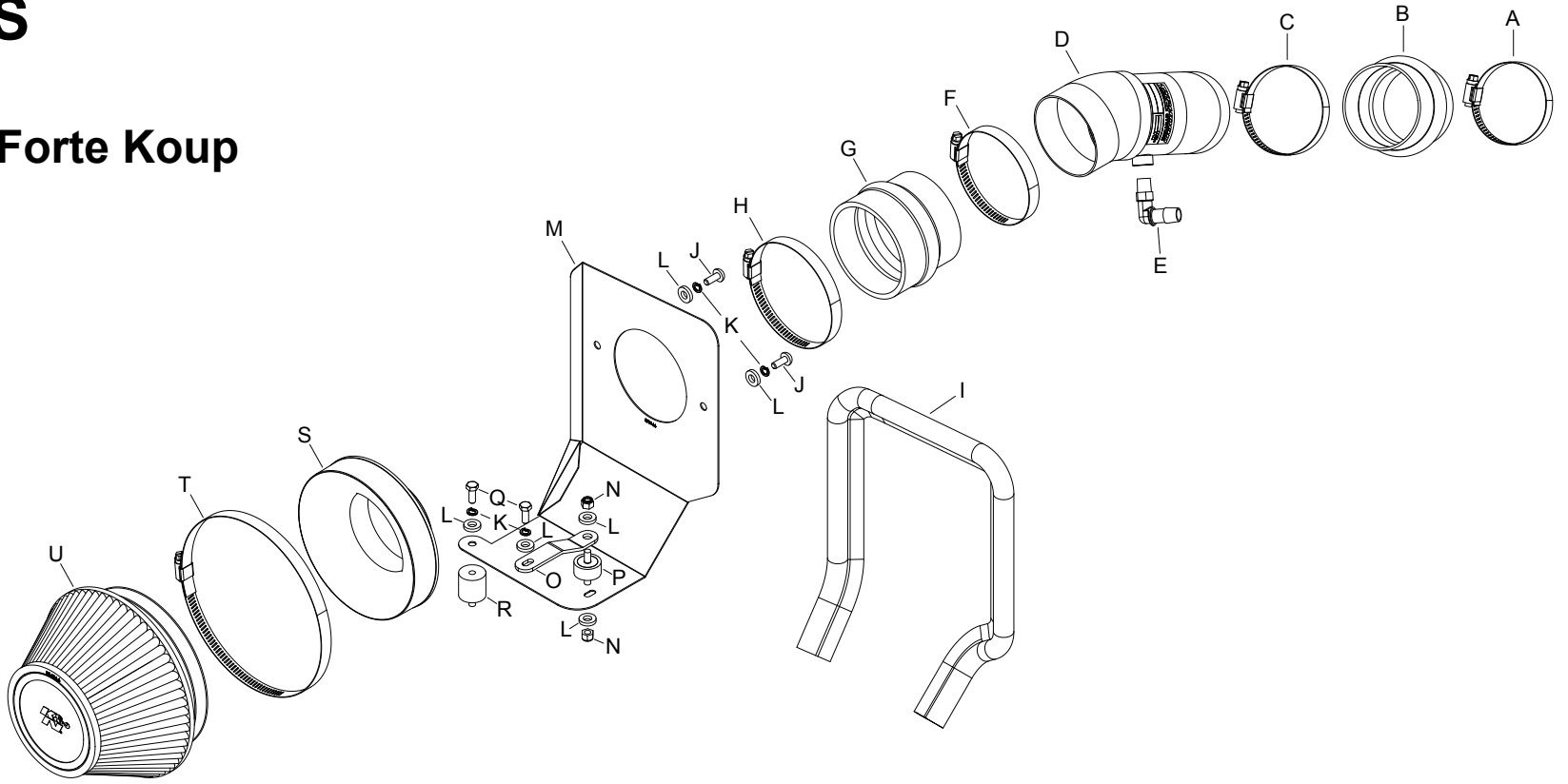
KIA

2014 Forte / Forte Koup

L4-2.0L

TOOLS NEEDED:

- Ratchet
- Extension
- 10mm socket
- Pliers
- 10mm wrench
- Flat Blade Screw driver



PARTS LIST:

Description	Qty.	Part #	Description	Qty.	Part #	Description	Qty.	Part #
A Hose Clamp #40	1	08554	H Hose Clamp #60 Stainless	1	08628	O Bracket; 57-1521, "Z", TB/PC	1	26545
B Hose; 3" To 2-3/4" X 3"L Hump	1	08421	I Edge trim (30")	1	102489	P Stud; M6-1.00M/M, Rubber	1	07027
C Hose Clamp #44 Stainless	1	08560	J Bolt; M6 X 1.00 X 16MM, SS	2	07730	Q Bolt; 6MM-1.00 X 16MM, SS	2	07812
D Intake Tube	1	27576TS	K Washer; M6 Split Lock Zinc	4	1-3025	R Stud; Rubber Mount, M6 X 1, 1"	1	02033
E Vent; 90 DEG, 1/2" Hose, 1/4"	1	08110FK	L Washer; 1*4" ID X 5/8" OD- SAE	6	08275	S Adapter; Universal, 6" Filter 3.5"	1	21512-1
F Hose Clamp #52	1	08610	M Heat Shield	1	073166	T Hose Clamp # 44	1	08577
G Hose; Hump 3.25/3.50 X 3.00"	1	5-576	N Nut; 6MM Nylock, Hexhead, SS	2	07512	U Air Filter	1	RU-4600

NOTE: FAILURE TO FOLLOW INSTALLATION INSTRUCTIONS AND NOT USING THE PROVIDED HARDWARE MAY DAMAGE THE INTAKE TUBE, THROTTLE BODY AND ENGINE.

TO START:

1. Turn off the ignition and disconnect the negative battery cable.
NOTE: Disconnecting the negative battery cable erases pre-programmed electronic memories. Write down all memory settings before disconnecting the negative battery cable. Some radios will require an anti-theft code to be entered after the battery is reconnected. The anti-theft code is typically supplied with your owner's manual. In the event your vehicles anti-theft code cannot be recovered, contact an authorized dealership to obtain your vehicles anti-theft code.



2. Pull up the engine cover to release it from the mounting grommets and then remove the cover from the engine.



3. Release the spring clamp securing the crank case vent hose to the factory intake hose and then disconnect the crank case hose from the intake hose.



4. Loosen the hose clamp securing the factory intake hose to the throttle body.



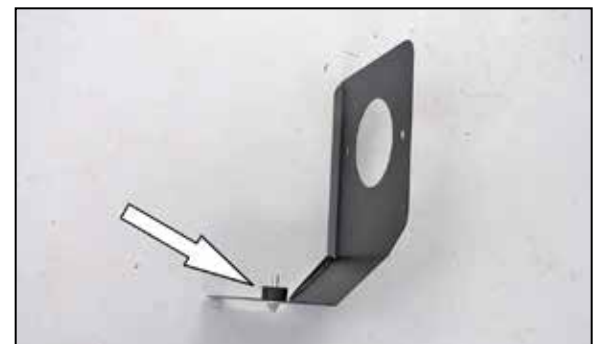
5. Release the two upper air box retaining clips. Separate the upper air box from the lower air box, disconnect the intake hose from the throttle body and then remove the assembly from the engine.



6. Loosen and remove the three bolts securing the lower air box to the inner fender.



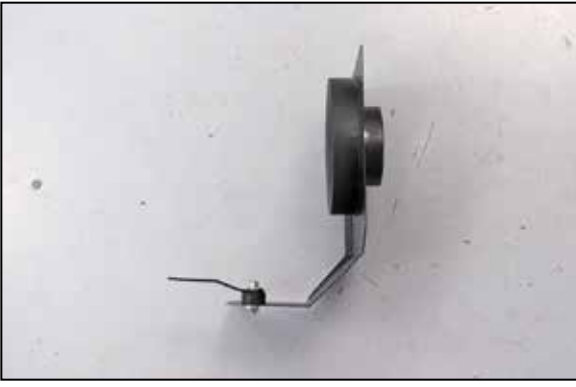
7. Remove the lower air box from the vehicle.
NOTE: K&N Engineering, Inc., recommends that customers do not discard factory air intake.



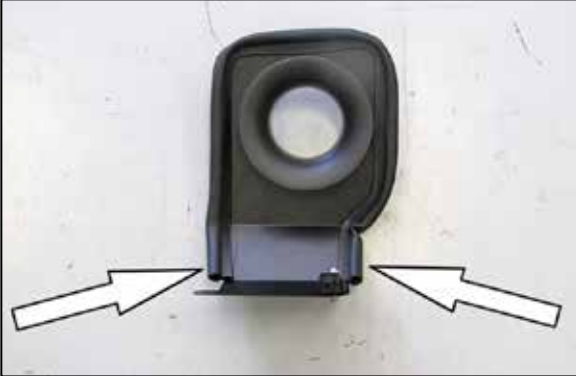
8. Install the 1/2" tall rubber mounted stud onto the heat shield using the provided hardware.



9. Install the provided mounting bracket (26545) onto the rubber mounted stud as shown.
NOTE: Do not completely tighten the bracket at this time.



10. Install the filter adapter into the heat shield and secure with the provided hardware.



11. Install the provided edge trim onto the heat shield as shown.

NOTE: Some trimming of the edge trim will be necessary.



12. Install the 1" tall rubber mounted stud into the forward air box mounting location as shown.



13. Install the heat shield onto the inner fender and secure with the provided hardware as shown.



14. Install the provided hump hose (08421) onto the throttle body and secure with the provided hose clamp.



15. Install the hump hose (5-576) onto the filter adapter and secure with the provided hose clamp.



16. Install the 90° vent fitting into the K&N® intake tube as shown.

NOTE: Plastic NPT fittings are easy to cross thread. Install the vent fitting "hand" tight, then turn it two complete turns with a wrench.



17. Install the K&N® tube into the hose at the filter adapter and then into the hose at the throttle body, then adjust the tube for best fit and secure with the hose clamps provided.



18. Connect the factory crank case vent hose to the fitting installed into the K&N® intake tube and secure with the factory hose clamp.



19. Install the K&N® air filter and secure it with the hose clamp provided.



20. Reinstall the engine cover.



21. Reconnect the vehicle's negative battery cable. Double check to make sure everything is tight and properly positioned before starting the vehicle.

22. It will be necessary for all K&N® high flow intake systems to be checked periodically for realignment, clearance and tightening of all connections. Failure to follow the above instructions or proper maintenance may void warranty.

ROAD TESTING:

1. Start the engine with the transmission in neutral or park, and the parking brake engaged. Listen for air leaks or odd noises. For air leaks secure hoses and connections. For odd noises, find cause and repair before proceeding. This kit will function identically to the factory system except for being louder and much more responsive.

2. Test drive the vehicle. Listen for odd noises or rattles and fix as necessary.

3. If road test is fine, you can now enjoy the added power and performance from your kit.

4. K&N Engineering, Inc., requires cleaning the intake system's air filter element every 100,000 miles. When used in dusty or off-road environments, our filters will require cleaning more often. We recommend that you visually inspect your filter once every 25,000 miles to determine if the screen is still visible. When the screen is no longer visible some place on the filter element, it is time to clean it. To clean and re-oil, purchase our filter Recharger® service kit, part number 99-5050 or 99-5000 and follow the easy instructions.