



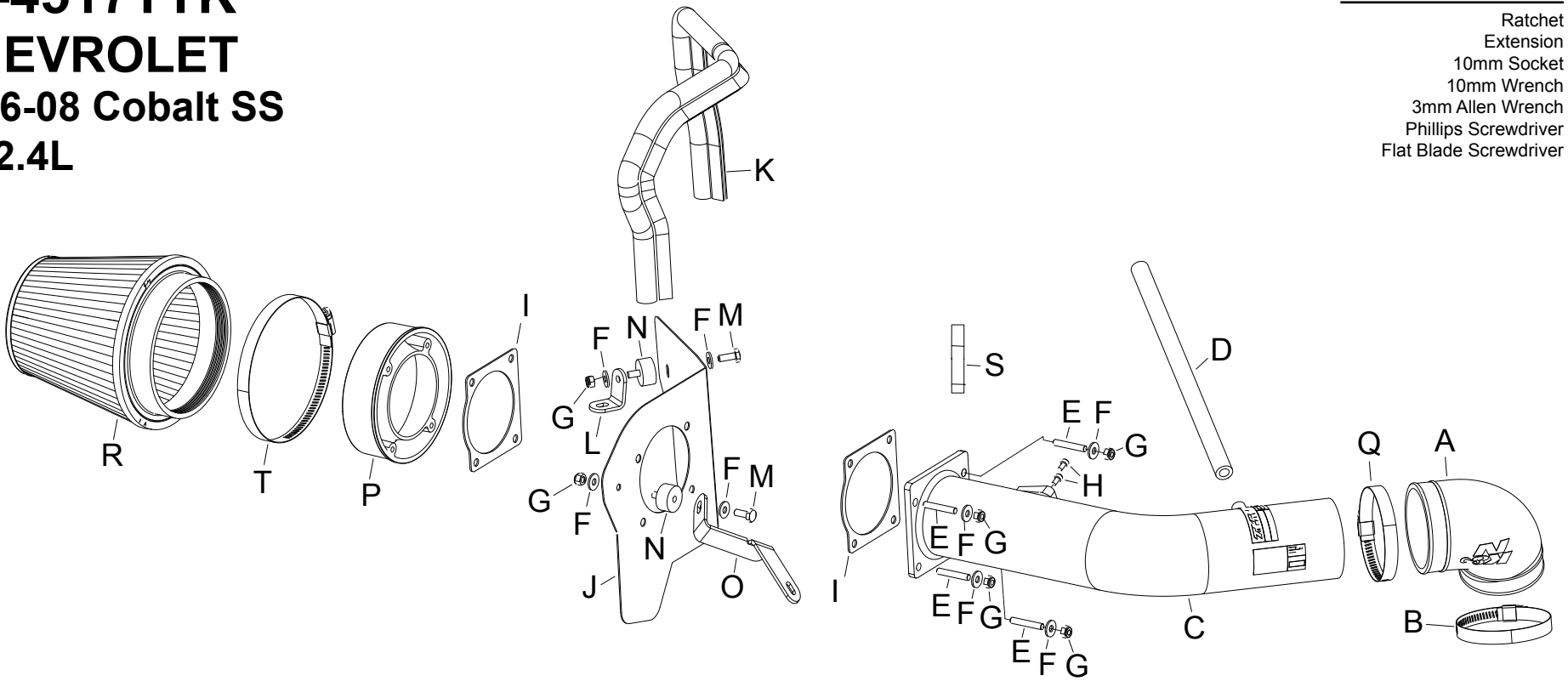
TYPHOON INTAKE SYSTEMS

INSTALLATION INSTRUCTIONS

69-4517TTK
CHEVROLET
2006-08 Cobalt SS
L4-2.4L

TOOLS NEEDED:

- Ratchet Extension
- 10mm Socket
- 10mm Wrench
- 3mm Allen Wrench
- Phillips Screwdriver
- Flat Blade Screwdriver



PARTS LIST:

Description	Qty.	Part #
A Hose; 2-3/4"ID To 3"ID Elbow	1	084087
B Hose Clamp #44	1	08560
C Intake Tube	1	27185
D Hose; 3/8"ID X 12"L	1	08412
E Stud; 6mm-1.00 X 35mm L, SS	4	08220
F Washer; 6mm Flat, SS	8	08269
G Nut; 6mm Nylock, Hexhead	6	07553
H Bolt; M4-0.07 8mm, A/h Cap, SS	2	07733
I Gasket; 1/16" Neoprene	2	09202
J Heat Shield	1	07641
K Edge Trim	1	102488
L Bracket; "L", Sml. Stl, FB/PC	1	070066
M Bolt; 6mm-1.00 X 12mm Hex	2	07863
N Stud; Mnt., M/F, 1/2"L X 1"W	2	070228
O Bracket; "Z", Stl. FB/PC	1	26642
P Adapter; #350	1	21510
Q Hose Clamp #48	1	08601
R Air Filter	1	RU-5147
S Thread Locker	1	482
T Hose Clamp #80	1	08694

NOTE: FAILURE TO FOLLOW INSTALLATION INSTRUCTIONS AND NOT USING THE PROVIDED HARDWARE MAY DAMAGE THE INTAKE TUBE, THROTTLE BODY AND ENGINE.

TO START:

1. Turn off the ignition and disconnect the negative battery cable.
NOTE: Disconnecting the negative battery cable erases pre-programmed electronic memories. Write down all memory settings before disconnecting the negative battery cable. Some radios will require an anti-theft code to be entered after the battery is reconnected. The anti-theft code is typically supplied with your owner's manual. In the event your vehicles' anti-theft code cannot be recovered, contact an authorized dealership to obtain your vehicles anti-theft code.



2. Remove the engine oil cap and then lift the engine cover to dislodge it from the mounting grommets and then remove the engine cover assembly.



3. Disconnect the mass air sensor electrical connection.



4. Using a small screw driver, release the plenum locking clip by prying the center of the plenum locking clip.



5. Loosen the hose clamp which secures the plenum to the throttle body.



6. Using pliers loosen the clamp which secures the crankcase vent hose to the valve cover vent port and then disconnect the crankcase vent hose as shown.



7. Remove the two nuts which secure the airbox to the inner fender.
NOTE: One of the nuts will be reused in a later step.



8. Lift the intake tract assembly off of the throttle body and then remove the complete assembly from the vehicle.

NOTE: K&N Engineering, Inc., recommends that customers do not discard factory air intake.



9. Install the silicone hose (084087) onto the throttle body as shown and secure with the provided hose clamp.



10. Install the four m6 studs into the threaded inserts in the filter adapter as shown.

NOTE: Be sure to apply the provided thread locker to the threads of the studs.



11. Install the supplied edge trim onto the heat shield as shown.

NOTE: Some trimming of the edge trim may be necessary.



12. Install one of the supplied rubber mounted stud onto the heat shield as shown and secure with the provided hardware.



13. Install the remaining rubber mounted stud onto the heat shield as shown and secure with the provided hardware.



14. Install the "L" bracket (070066) onto the rubber mounted stud as shown and secure with the provided hardware.

NOTE: The none slotted hole is to be attached to the rubber mounted stud.



15. Apply one of the supplied gaskets to the filter adapter studs and then pass the studs through holes in the heat shield to install the filter adapter as shown.



16. Install the K&N® intake tube to the filter adapter studs with the remaining gasket and then secure with the provided hardware.



17. Remove the two screws that secure the mass air sensor and then remove the mass air sensor from the stock intake tube as shown.



18. Install the mass air sensor into the K&N® intake tube and secure with the provided bolts.



19. Install the K&N® filter onto the filter adapter and secure with the provided hose clamp.



20. Install the provided crankcase vent hose onto the K&N® intake tube as shown.



21. Install the K&N® intake tube into the silicone hose at the throttle body and align the "L" bracket with the inner airbox mounting stud as shown.



22. Remove the headlight mounting bracket bolt shown.

NOTE: This bolt will be reused.



23. Install the "Z" bracket onto the headlight mounting bracket and rubber mounted stud as shown. Secure with the factory bolt removed in step #22 and the provided hardware.



24. Install the crankcase vent hose onto the vent fitting on the valve cover.

NOTE: Some trimming of the vent hose may be necessary.



25. Reconnect the mass air sensor electrical connection.



26. Reinstall the engine cover and oil cap.



27. Reconnect the vehicle's negative battery cable. Double check to make sure everything is tight and properly positioned before starting the vehicle.

28. The C.A.R.B. exemption sticker, (attached), must be visible under the hood so that an emissions inspector can see it when the vehicle is required to be tested for emissions. California requires testing every two years, other states may vary.

29. It will be necessary for all K&N® high flow intake systems to be checked periodically for realignment, clearance and tightening of all connections. Failure to follow the above instructions or proper maintenance may void warranty.

ROAD TESTING:

1. Start the engine with the transmission in neutral or park, and the parking brake engaged. Listen for air leaks or odd noises. For air leaks secure hoses and connections. For odd noises, find cause and repair before proceeding. This kit will function identically to the factory system except for being louder and much more responsive.

2. Test drive the vehicle. Listen for odd noises or rattles and fix as necessary.

3. If road test is fine, you can now enjoy the added power and performance from your kit.

4. K&N Engineering, Inc., suggests checking the air filter element periodically for excessive dirt build-up. When the element becomes covered in dirt (or once a year), service it according to the instructions on the Recharger® service kit, part number 99-5050 or 99-5000