

K&N TYPHOON INTAKE SYSTEMS

INSTALLATION INSTRUCTIONS

69-3527TP

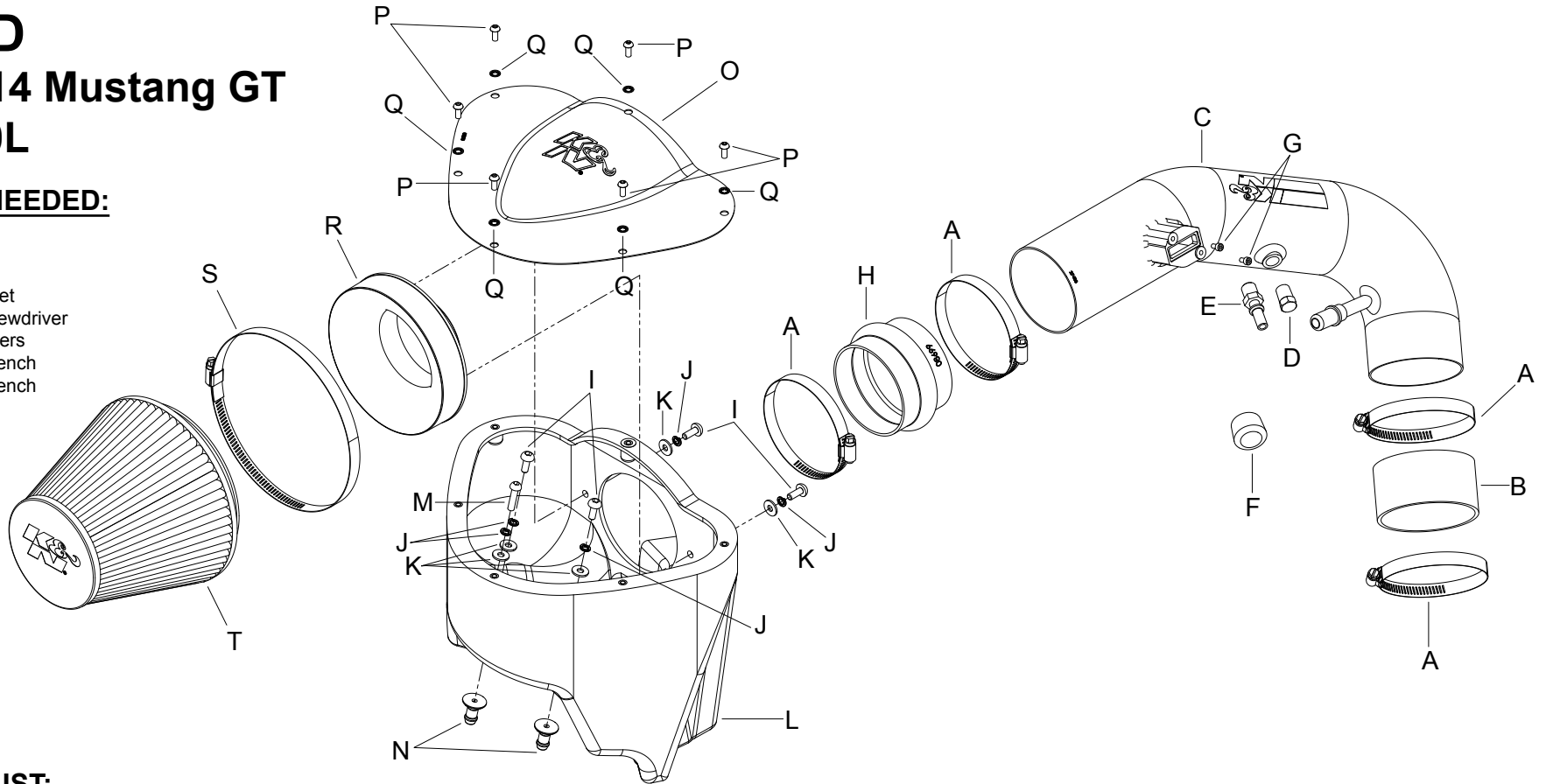
FORD

2011-14 Mustang GT

V8-5.0L

TOOLS NEEDED:

- Ratchet
- Extension
- 10mm Socket
- T20 Torx Socket
- Flat Blade Screwdriver
- Side Cutter Pliers
- 3mm Allen Wrench
- 5mm Allen Wrench



PARTS LIST:

Description	Qty.	Part #	Description	Qty.	Part #	Description	Qty.	Part #
A Hose Clamp # 56	4	08620	H Hose; 3-1/2" ID X 2-1/2" L Hump Reinforced	1	08699	O Lid	1	05870
B Hose; 3-1/2" ID X 2" L Reinforced	1	08698	I Bolt; M6 X 1.00 X 16MM, Btnhead, SS	4	07730	P Bolt; M5-0.8 X 12mm B/H, SS	6	07734
C Intake Tube	1	27483	J Washer; M6 Split Lock Zinc	5	1-3025	Q Washer; 5mm Internal Star Cut Lock	6	07724
D Plug; 1/4 NPT, Plastic, Blk.	1	08032	K Washer; 6mm Flat, SS	5	08269	R Adapter; Universal, 6" Filter 3.5" Coupler	1	21512-1
E Vent; STRT, 1/4" NPT To Quick Release	1	08938	L Air Box	1	087245	S Hose Clamp #104	1	08697
F Caplug; 15/16" ID, 3/4" L, Blk., EPDM	1	08246	M Bolt; M6-1.00 X 25mm Btnhead, SS	1	07729	T Air Filter	1	RF-1048
G Bolt; M4-0.07 8mm, A/H Cap, SS	2	07733	N Nipple, Heat Shield Mount	2	8-186			

NOTE: FAILURE TO FOLLOW INSTALLATION INSTRUCTIONS AND NOT USING THE PROVIDED HARDWARE MAY DAMAGE THE INTAKE TUBE, THROTTLE BODY AND ENGINE.

TO START:

1. Turn off the ignition and disconnect the negative battery cable.
NOTE: Disconnecting the negative battery cable erases pre-programmed electronic memories. Write down all memory settings before disconnecting the negative battery cable. Some radios will require an anti-theft code to be entered after the battery is reconnected. The anti-theft code is typically supplied with your owner's manual. In the event your vehicles' anti-theft code cannot be recovered, contact an authorized dealership to obtain your vehicles anti-theft code.



2. Lift up the engine cover and remove it from the vehicle.



3. Cut the clamp that secures the engine pulse hose to the drum and disconnect the hose from the drum.



4. Release the clamp that secures engine pulse hose to the intake tube, then remove the engine pulse hose from the vehicle.



5. Install the provided cap onto the drum as shown.



6. Disconnect the mass air sensor electrical connection.



7. Disconnect the crank case vent hose from the factory intake tube.
NOTE: Some models may be equipped with the EVAP vent hose, it will be necessary to disconnect the EVAP vent hose from the factory intake tube.



8. Loosen the hose clamp that secures the factory intake tube to the throttle body.



9. Release the two upper air box retaining clips.



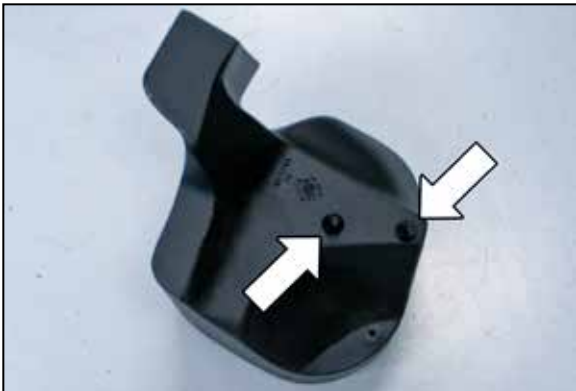
10. Remove the upper air box and intake tube from the vehicle.



11. Remove the bolt that secures the lower air box to the inner fender.



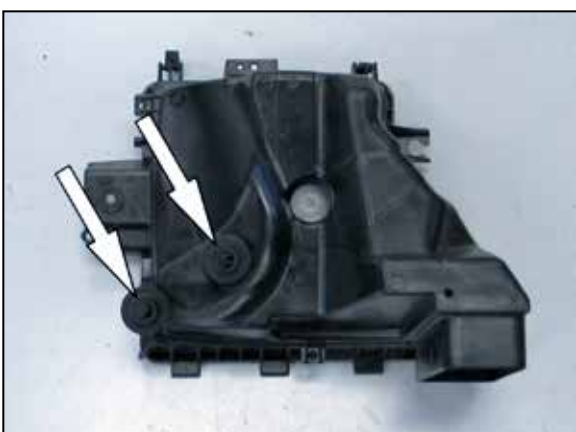
12. Remove the lower air box from the vehicle.
NOTE: K&N Engineering, Inc., recommends that customers do not discard factory air intake.



13. Install the two air box mounting studs onto the bottom of the air box and secure with the provided hardware.



14. Install the filter adapter into the air box and secure with the provided hardware.



15. Remove the two air box mounting grommets from the factory air box.



16. Install the air box mounting grommets onto the two mounting studs installed onto the K&N® air box.



17. Set the K&N® air box into the vehicle so that the mounting studs slide into the mounting holes, then secure with the provided hardware.



18. Install the provided silicone hose (08699) onto the filter adapter and secure with the provided hose clamp.



19. Install the provided silicone hose (08698) onto the throttle body and secure with the provided hose clamp.



20. On vehicles that have an EVAP vent line attached to the intake tube, install the 3/8" vent fitting into the K&N® intake tube. On vehicles that do not have the EVAP vent line attached to the intake tube, install the npt plug into the intake tube.
NOTE: Plastic NPT fittings are easy to cross thread. Install the vent fitting "hand" tight, then turn it two complete turns with a wrench.



21. Remove the two bolts securing the mass air sensor into the factory intake tube and then remove the mass air sensor from the intake tube.



22. Install the mass air sensor into the K&N® intake tube and secure with the provided hardware.



23. Install the K&N® intake tube into the silicone hose at the air box and then into the silicone hose at the throttle body; secure with the provided hose clamps.



24. Connect the crank case vent hose to the fitting on the K&N® intake tube.
NOTE: On vehicles equipped with an EVAP vent line: Connect the EVAP line to the fitting installed in the K&N® intake tube.



25. Reconnect the mass air sensor electrical connection.



26. Attach the K&N® air filter onto the filter adapter and secure with the provided hose clamp.



27. Install the K&N® air box lid and secure with the provided hardware.



28. Reinstall the engine cover.



29. Reconnect the vehicle's negative battery cable. Double check to make sure everything is tight and properly positioned before starting the vehicle.

30. It will be necessary for all K&N® high flow intake systems to be checked periodically for realignment, clearance and tightening of all connections. Failure to follow the above instructions or proper maintenance may void warranty.

ROAD TESTING:

1. Start the engine with the transmission in neutral or park, and the parking brake engaged. Listen for air leaks or odd noises. For air leaks secure hoses and connections. For odd noises, find cause and repair before proceeding. This kit will function identically to the factory system except for being louder and much more responsive.

2. Test drive the vehicle. Listen for odd noises or rattles and fix as necessary.

3. If road test is fine, you can now enjoy the added power and performance from your kit.

4. K&N Engineering, Inc., requires cleaning the intake system's air filter element every 100,000 miles. When used in dusty or off-road environments, our filters will require cleaning more often. We recommend that you visually inspect your filter once every 25,000 miles to determine if the screen is still visible. When the screen is no longer visible some place on the filter element, it is time to clean it. To clean and re-oil, purchase our filter Recharger® service kit, part number 99-5050 or 99-5000 and follow the easy instructions.