

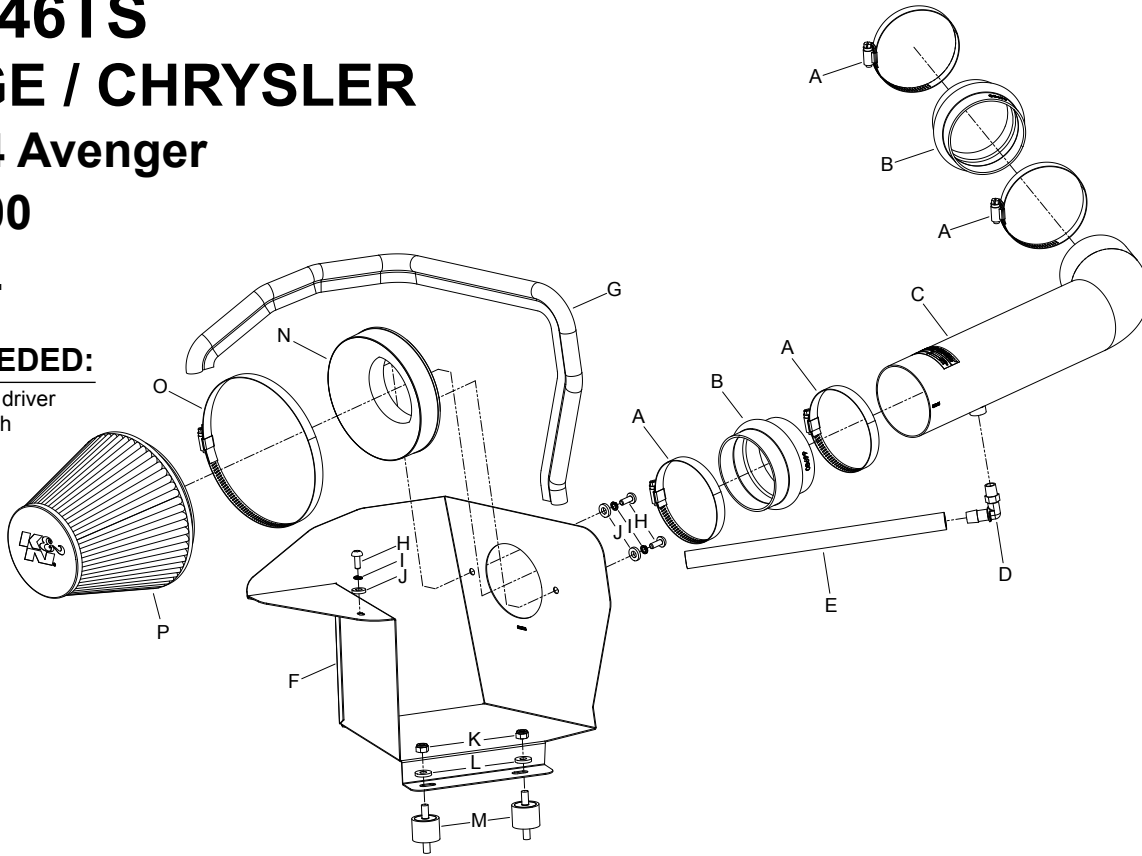
K&N® TYPHOON INTAKE SYSTEMS

INSTALLATION INSTRUCTIONS

69-2546TS
DODGE / CHRYSLER
2011-14 Avenger
2012 200
V6-3.6L

TOOLS NEEDED:

Flat blade Screw driver
 4mm Allen wrench
 10mm socket
 13mm socket
 8mm socket
 Extension
 Ratchet
 Pliers



PARTS LIST:

Description	Qty.	Part #
A Hose Clamp #56	4	08620
B Hose; 3-1/2" ID X 2-1/2"L Hump	2	08699
C Intake Tube	1	27588TS
D Vent; 90DEG, 1/2"Hose, 1/4"NPT	1	08110FK
E Hose; 1/2"ID X 12"L	1	087031
F Heat Shield	1	073124
G Edge Trim (35")	1	102471
H Bolt; M6 X 1.00 X16MM	3	07730
I Washer; M6 Split Lock Zinc	3	1-3025
J Washer; 1/4" ID X 5/8"OD- SAE	3	08275
K Nut; 8MM Nylock, SS	2	07502
L Washer; 5/16" ID X 3/4" OD, 1/8"	2	08129
M Stud; Rubber Mounted M/M 8MM	2	070227
N Adapter; Universal, 6" Filter 3.5"	1	21512-1
O Hose Clamp #104	1	08697
P Air Filter	1	RF-1048

NOTE: FAILURE TO FOLLOW INSTALLATION INSTRUCTIONS AND NOT USING THE PROVIDED HARDWARE MAY DAMAGE THE INTAKE TUBE, THROTTLE BODY AND ENGINE.

TO START:

1. Turn off the ignition and disconnect the negative battery cable.

NOTE: Disconnecting the negative battery cable erases pre-programmed electronic memories. Write down all memory settings before disconnecting the negative battery cable. Some radios will require an anti-theft code to be entered after the battery is reconnected. The anti-theft code is typically supplied with your owner's manual. In the event your vehicles' anti-theft code cannot be recovered, contact an authorized dealership to obtain your vehicles anti-theft code.



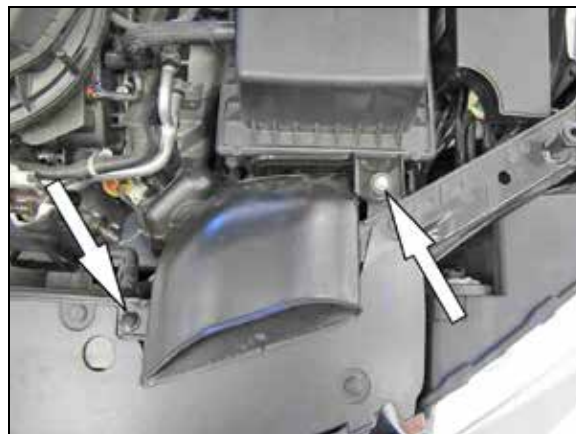
2. Lift up the engine cover and remove it from the top of the engine.



3. Loosen the hose clamp securing the intake hose to the intake plenum.



4. Disconnect the crank vent hose from the valve cover.



5. Remove the air box retaining bolt and the fresh air intake fastener.



6. Lift up the complete stock intake system and remove it from the engine compartment.



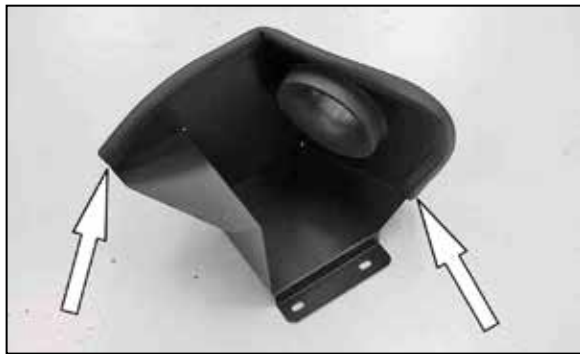
7. Remove the two air box mounting studs shown.



8. Install the two provided rubber mounted studs into the air box mounting stud locations.



9. Install the filter adapter onto the heat shield using the provided hardware.



10. Install the provided edge trim onto the heat shield as shown.

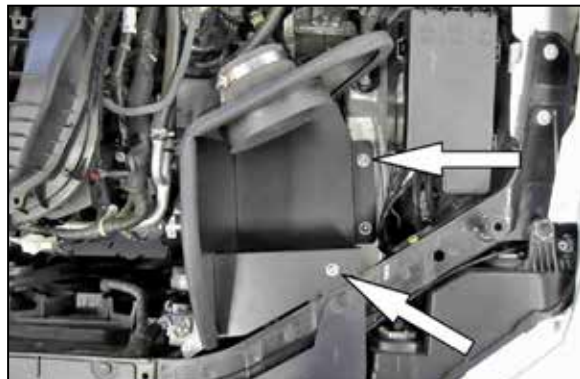
NOTE: Some trimming of the edge trim will be necessary.



11. Install the provided silicone hose (08699) onto the filter adapter and secure with the provided hose clamp.



12. Install the provided silicone hose (08699) onto the intake plenum and secure with the provided hose clamp.



13. Install the heat shield assembly onto the rubber mounted studs and secure with the provided hardware.



14. Install the 90° vent fitting into the intake tube as shown.

NOTE: Plastic NPT fittings are easy to cross thread. Install the vent fitting "hand" tight, then turn it two complete turns with a wrench.

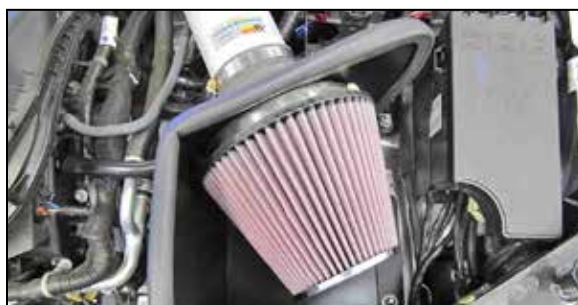


15. Install the K&N® intake tube into the silicone hose at the filter adapter and then into the hose at the intake plenum, then secure with the provided hose clamp.



16. Install the provided crank case vent hose onto the fitting installed into the K&N® intake tube and then onto the factory fitting on the valve cover.

NOTE: It may be necessary to rotate the heater hose spring clamp so that it does not contact the crank case vent hose.



17. Install the K&N® air filter onto the filter adapter and secure with the provided hose clamp.

NOTE: Drycharger® air filter wrap; part # RF-1048DK is available to purchase separately.



18. Reinstall the engine cover.



19. Reconnect the vehicle's negative battery cable. Double check to make sure everything is tight and properly positioned before starting the vehicle.

20. It will be necessary for all K&N® high flow intake systems to be checked periodically for realignment, clearance and tightening of all connections. Failure to follow the above instructions or proper maintenance may void warranty.

ROAD TESTING:

1. Start the engine with the transmission in neutral or park, and the parking brake engaged. Listen for air leaks or odd noises. For air leaks secure hoses and connections. For odd noises, find cause and repair before proceeding. This kit will function identically to the factory system except for being louder and much more responsive.

2. Test drive the vehicle. Listen for odd noises or rattles and fix as necessary.

3. If road test is fine, you can now enjoy the added power and performance from your kit.

4. K&N Engineering, Inc., requires cleaning the intake system's air filter element every 100,000 miles. When used in dusty or off-road environments, our filters will require cleaning more often. We recommend that you visually inspect your filter once every 25,000 miles to determine if the screen is still visible. When the screen is no longer visible some place on the filter element, it is time to clean it. To clean and re-oil, purchase our filter Recharger® service kit, part number 99-5050 or 99-5000 and follow the easy instructions.