

K&N TYPHOON INTAKE SYSTEMS

INSTALLATION INSTRUCTIONS

69-2023TS

MINI

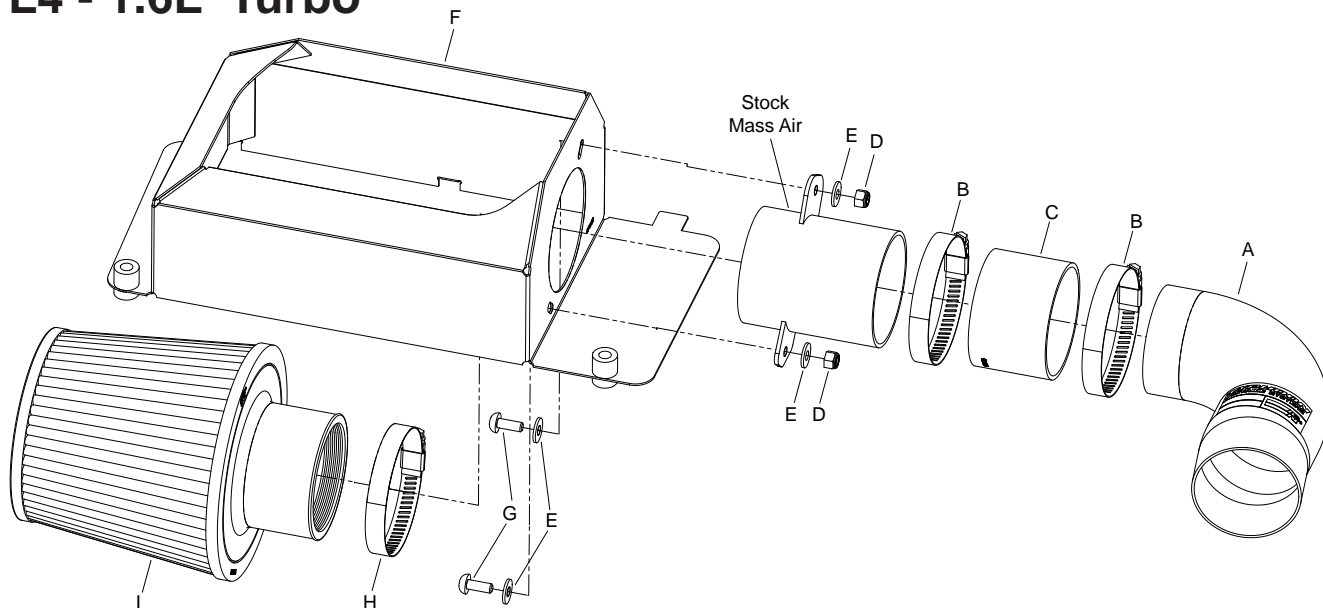
2011-14 Cooper S

2011-14 Clubman S

L4 - 1.6L Turbo

TOOLS NEEDED:

Ratchet
Extension
10mm socket
7mm socket
screw driver
T27 torx
T25 torx
4mm Allen key



PARTS LIST:

Description	Qty.	Part #
A Intake Tube	1	27595TS
B Hose Clamp #44 Stainless	2	08560
C Hose; 2-3/4" ID X 2"L Reinforced	1	08440
D Nut; 6MM Nylock, Hexhead, SS	2	07512
E Washer; 6MM Flat, SS	4	08269
F Heat Shield	1	073130
G Bolt; M6 X 1.00 X 16MM, SS	2	07730
H Hose Clamp #44	1	08577
I Air Filter	1	RU-4960

NOTE: FAILURE TO FOLLOW INSTALLATION INSTRUCTIONS AND NOT USING THE PROVIDED HARDWARE MAY DAMAGE THE INTAKE TUBE, THROTTLE BODY AND ENGINE.

TO START:

1. Turn off the ignition and disconnect the negative battery cable.

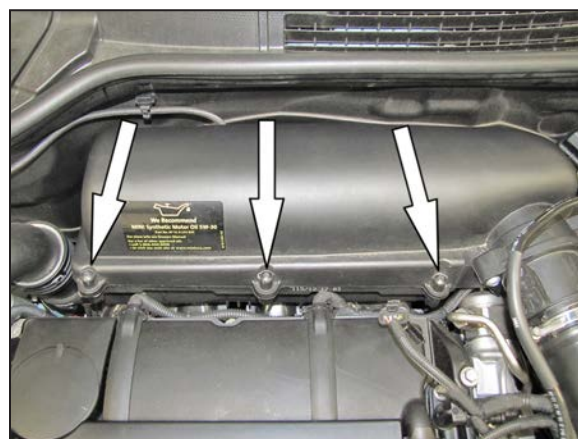
NOTE: Disconnecting the negative battery cable erases pre-programmed electronic memories. Write down all memory settings before disconnecting the negative battery cable. Some radios will require an anti-theft code to be entered after the battery is reconnected. The anti-theft code is typically supplied with your owner's manual. In the event your vehicles' anti-theft code cannot be recovered, contact an authorized dealership to obtain your vehicles anti-theft code.



2. Disconnect the mass air sensor electrical connection and unhook the vent line from the air box.



3. Loosen the hose clamp which secures the intake tube to the mass air sensor.



4. Loosen the three screws securing the upper air box housing to the lower housing.



5. Remove the upper air box housing and air filter from the vehicle.
NOTE: K&N Engineering, Inc., recommends that customers do not discard factory air intake.



6. Remove the two screws securing the mass air sensor to the upper air box housing and then remove the sensor as shown.



7. Remove the factory O ring from the mass air sensor.



8. Install the mass air sensor into the K&N® heat shield using the provided hardware.
NOTE: Be sure to install the button head bolts from the inside of the heat shield out.



9. Install the K&N® air filter onto the mass air sensor inside the heat shield and secure with the provided hose clamp.
NOTE: Drycharger® air filter wrap; part # RX-4990DK is available to purchase separately.



10. Install the provided silicone hose (08440) onto the mass air sensor and secure with the provided hose clamp.



11. Remove two of the upper air box mounting bolts as shown.



12. Install the K&N® heat shield assembly onto the factory lower air box and secure with the factory bolts from step #12.

NOTE: If an aftermarket Strut Tower Brace is being used, clearance between the Strut Tower Brace and K&N heat shield may become too tight for the Brace to be used.



13. Install the K&N® intake tube into the factory intake hose and then into the silicone hose at the mass air sensor, then secure with the provided and factory hose clamp.



14. Reconnect the mass air sensor electrical connection.



15. Reconnect the vehicle's negative battery cable. Double check to make sure everything is tight and properly positioned before starting the vehicle.

16. It will be necessary for all K&N® high flow intake systems to be checked periodically for realignment, clearance and tightening of all connections. Failure to follow the above instructions or proper maintenance may void warranty.

ROAD TESTING:

1. Start the engine with the transmission in neutral or park, and the parking brake engaged. Listen for air leaks or odd noises. For air leaks secure hoses and connections. For odd noises, find cause and repair before proceeding. This kit will function identically to the factory system except for being louder and much more responsive.

2. Test drive the vehicle. Listen for odd noises or rattles and fix as necessary.

3. If road test is fine, you can now enjoy the added power and performance from your kit.

4. K&N Engineering, Inc., requires cleaning the intake system's air filter element every 100,000 miles. When used in dusty or off-road environments, our filters will require cleaning more often. We recommend that you visually inspect your filter once every 25,000 miles to determine if the screen is still visible. When the screen is no longer visible some place on the filter element, it is time to clean it. To clean and re-oil, purchase our filter Recharger® service kit, part number 99-5050 or 99-5000 and follow the easy instructions.