



AIRCHARGER®

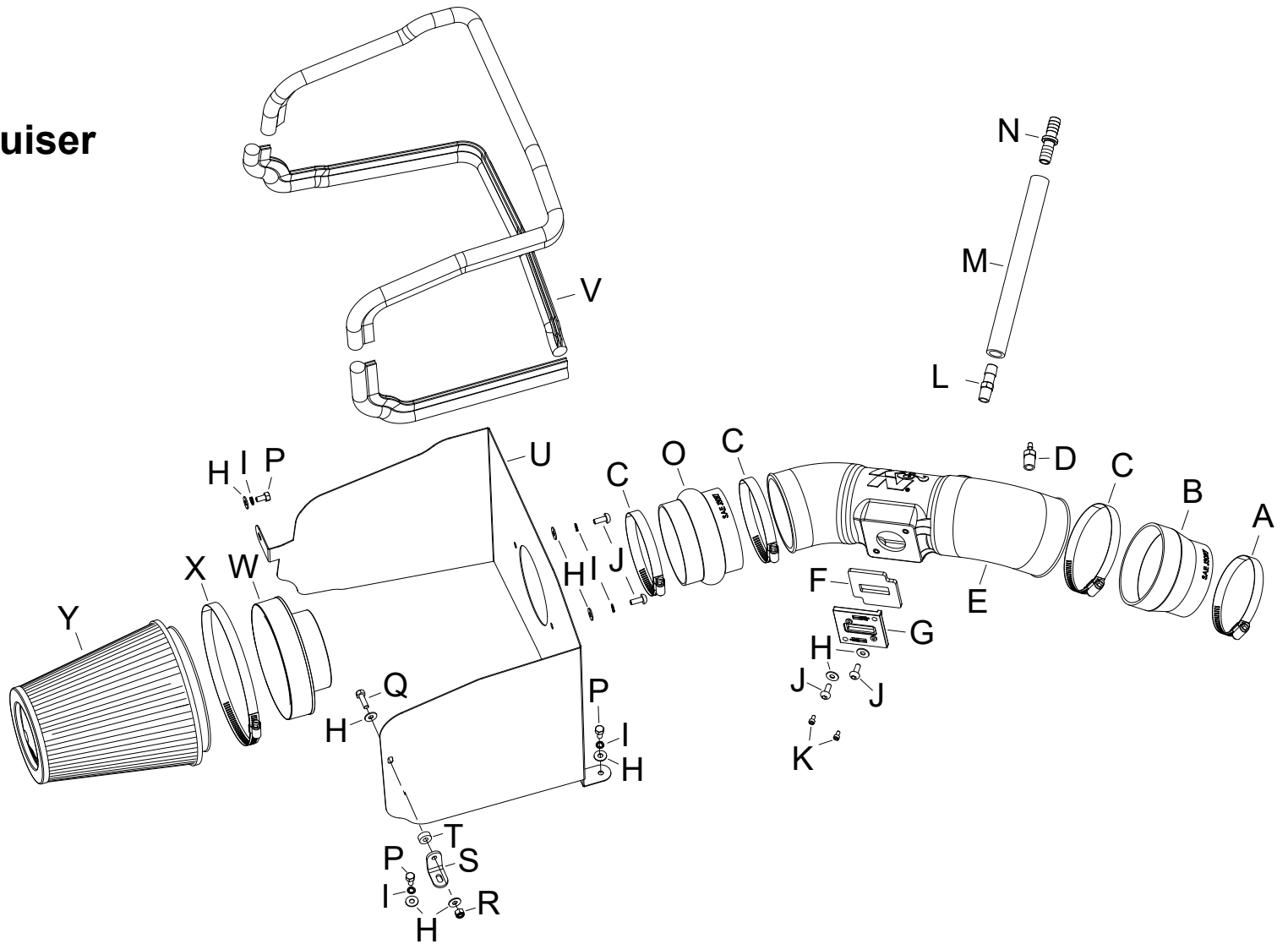
HIGH-FLOW INTAKE KITS

INSTALLATION INSTRUCTIONS

63-9040
TOYOTA
2016-17 Land Cruiser
V8-5.7L

TOOLS NEEDED:

- flat blade screw driver
- phillips screw driver
- ratchet
- extension
- 10mm socket
- 9/16 wrench
- 10mm wrench
- 4mm allen wrench
- 3mm allen wrench



PARTS LIST:

| Description | Qty. | Part # | Description | Qty. | Part # | Description | Qty. | Part # |
|--------------------------------|------|---------|--------------------------------|------|--------|------------------------------|------|---------|
| A HOSE CLAMP; #56 | 1 | 08620 | J BOLT; M6 X 1.00 X 16MM, SS | 4 | 07730 | S BRACKET; 69-2521, "L", SML | 1 | 070066 |
| B HOSE; 4"ID TO 3-1/2"ID X 3"L | 1 | 08497 | K BOLT; M4 - 0.07 8MM, A/H CAP | 2 | 07733 | T SPACER; .625" OD X .250"ID | 1 | 06555 |
| C HOSE CLAMP; #64 STAINLESS | 3 | 08645 | L VENT; STRT 1/2" HOSE, 1/4" | 1 | 080022 | U HEAT SHIELD | 1 | 073246 |
| D VENT; STRT, 3/16 BARBED 1/4" | 1 | 080021 | M HOSE; 1/2" ID X 9" L | 1 | 08401 | V EDGE TRIM (80") | 1 | 102461 |
| E INTAKE TUBE | 1 | 087258A | N HOSE MENDER; 1/2" BARBED | 1 | 08686 | W ADAPTOR; 57-3058 #454 | 1 | 27300 |
| F GASKET; 57-2556, 3/16 PORON | 1 | 09069 | O HOSE; 4" ID X 3" L HUMP | 1 | 08418 | X HOSE CLAMP; #104 | 1 | 08697 |
| G ADAPTOR; 57-2556, NYLON 6/6 | 1 | 21515 | P BOLT; M6 X 1.00 X 12MM, SS | 3 | 07727 | Y FILTER CHARGER | 1 | RF-1044 |
| H WASHER; 6MM FLAT, SS | 9 | 08269 | Q BOLT; M6 X 1.00" X 20MM HEX | 1 | 07795 | | | |
| I WASHER, M6 SPLIT LOCK ZINC | 5 | 1-3025 | R NUT; 6MM NYLOCK, HEXHEAD | 1 | 07512 | | | |

NOTE: FAILURE TO FOLLOW INSTALLATION INSTRUCTIONS AND NOT USING THE PROVIDED HARDWARE MAY DAMAGE THE INTAKE TUBE, THROTTLE BODY AND ENGINE.

TO START:

1. Turn off the ignition and disconnect the negative battery cable.
NOTE: Disconnecting the negative battery cable erases pre-programmed electronic memories. Write down all memory settings before disconnecting the negative battery cable. Some radios will require an anti-theft code to be entered after the battery is reconnected. The anti-theft code is typically supplied with your owner's manual. In the event your vehicles anti-theft code cannot be recovered, contact an authorized dealership to obtain your vehicles anti-theft code.



2. Disconnect the mass air sensor electrical connection and then unhook the wiring harness from the air box.



3. Lift off the engine cover.



4. Loosen the hose clamp which secures the intake tube to the throttle body.



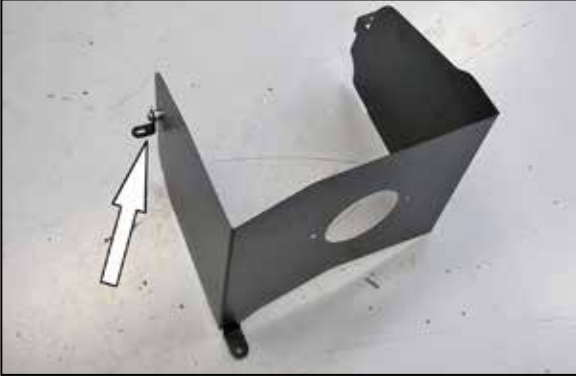
5. Disconnect the crank case vent hose and fuel pressure line from the intake resonator.



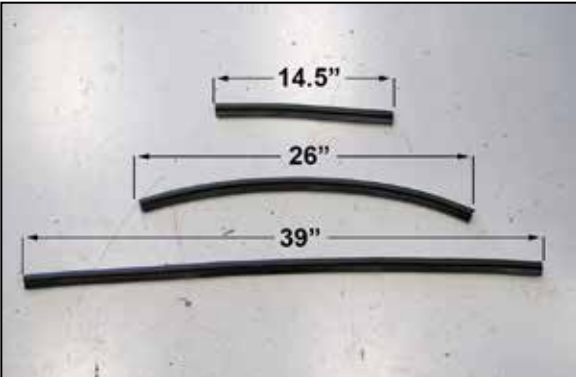
6. Release the four retaining clips securing the upper air box and then remove the upper air box and intake tube assembly from the vehicle.



7. Loosen the three bolts securing the lower air box and then remove the lower air box from the vehicle.
NOTE: K&N Engineering, Inc., recommends that customers do not discard factory air intake.



8. Install the heat shield mounting bracket (070066) onto the heat shield using the provided spacer and hardware.



9. Cut the provided edge trim into three sections. One section will be 39" long, one section will be 26" long and the final section will be 14.5" long.



10. Install the edge trim onto the heat shield as shown.



11. Install the filter adapter onto the heat shield and secure with the provided hardware.



12. Remove the bolt which secures the horn to the inner fender.



13. Set the heat shield into the engine compartment and secure with the provided hardware.

NOTE: Be sure to secure the horn in the factory location along with the heat shield.



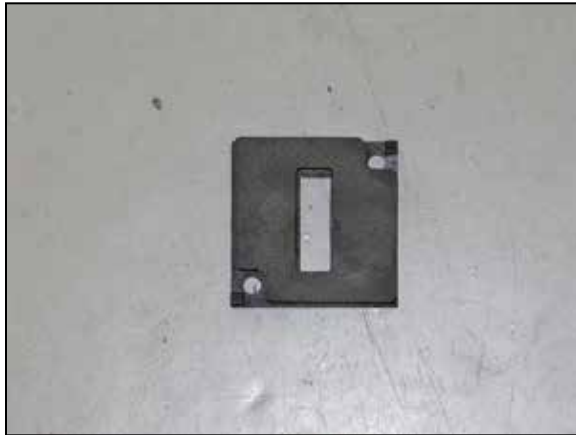
14. Install the coupler hose (08050) onto the throttle body and secure with the provided hose clamp.



15. Install the hump coupler (08418) onto the filter adapter and secure with the provided hose clamp.



16. Remove the two screws securing the mass air sensor and then remove the mass air sensor from the upper air box housing.



17. Install the gasket onto the provided mass air adapter as shown.



18. Install the mass air sensor assembly into the K&N® mass air sensor adapter as shown using the provided hardware.



19. Install the mass air sensor assembly into the K&N® intake tube and secure with the provided hardware.



20. Install the provided NPT vent fittings into the K&N® intake tube as shown.
NOTE: Plastic NPT fittings are easy to cross thread. Install the vent fitting "hand" tight, then turn it two complete turns with a wrench.



21. Install the hose mender into the provided crank case vent hose as shown.



22. Install the crank case vent hose assembly into the factory crank case vent hose as shown.



23. Install the K&N® intake tube into the hump hose at the heat shield and then into the step hose at the throttle body and secure with the provided hose clamp.



24. Connect the crank case vent hose and the fuel pressure hose to the fittings installed into the K&N® intake tube.



25. Install the K&N® air filter and secure with the provided hose clamp.

NOTE: Drycharger® air filter wrap; part # RF-1020DK is available to purchase separately.



26. Reconnect the mass air sensor electrical connection.



27. Install the engine cover.



28. Reconnect the vehicle's negative battery cable. Double check to make sure everything is tight and properly positioned before starting the vehicle.

29. It will be necessary for all K&N® high flow intake systems to be checked periodically for realignment, clearance and tightening of all connections. Failure to follow the above instructions or proper maintenance may void warranty.

ROAD TESTING:

1. Start the engine with the transmission in neutral or park. Listen for air leaks or odd noises. For air leaks secure hoses and connections. For odd noises, find cause and repair before proceeding. This kit will function identically to the factory system except for being louder and much more responsive.

2. Test drive the vehicle. Listen for odd noises or rattles and fix as necessary.

3. If road test is fine, you can now enjoy the added power and performance from your kit.

4. K&N Engineering, Inc., requires cleaning the intake system's air filter element periodically for excessive dirt build-up. When used in harsh terrain conditions or off-road environments, our filters will require cleaning more often. We recommend that you visually inspect your filter more frequently when used in harsh terrain conditions to determine if the screen is still visible. When the screen is no longer visible some place on the filter element, it is time to clean it. To clean and re-oil, purchase our filter Recharger® service kit, part number 99-5050 or 99-5000 and follow the easy instructions.