



AIRCHARGER®

HIGH-FLOW INTAKE KITS

INSTALLATION INSTRUCTIONS

63-2596

FORD

2015-16 F-150

V6-3.5L

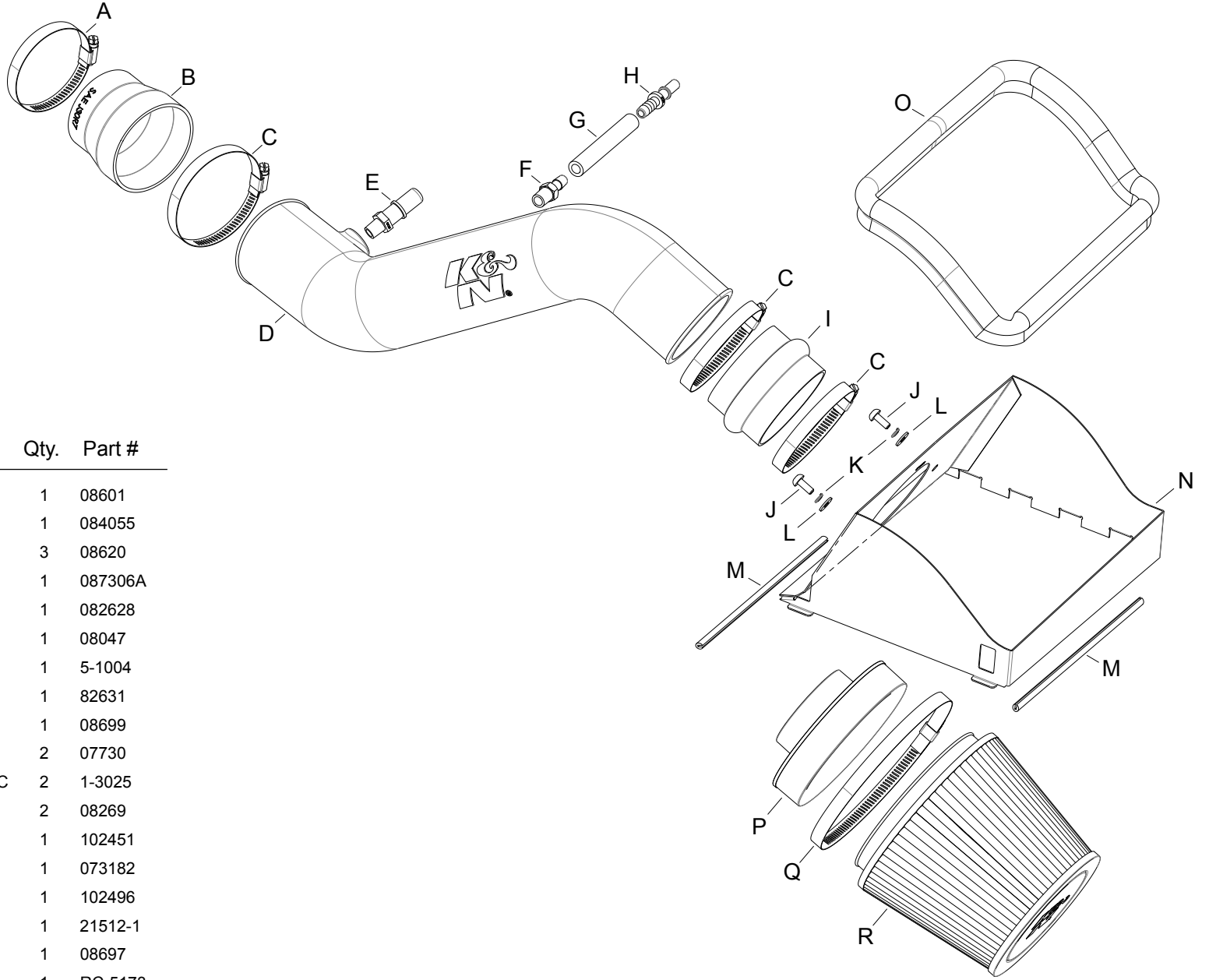
NOTE: This kit was not designed to fit vehicles with a body lift.

TOOLS NEEDED:

- flat blade screw driver
- 4mm allen key
- 9/16" wrench
- 3/4" wrench

PARTS LIST:

Description	Qty.	Part #
A HOSE CLAMP #48	1	08601
B HOSE; 3-1/2" TO 3" ID X 3" L	1	084055
C HOSE CLAMP #56	3	08620
D INTAKE TUBE	1	087306A
E VENT; 1/4 NPT TO QUICK	1	082628
F VENT; STRT, 3/8"HOSE, 1/4"	1	08047
G HOSE; 3/8"ID X 4"L	1	5-1004
H VENT; STRT, 3/8" BARB	1	82631
I HOSE; 3-1/2" ID X 2-1/2" L	1	08699
J BOLT; M6 X 1.00 X 16MM, SS	2	07730
K WASHER, M6 SPLIT LOCK ZINC	2	1-3025
L WASHER; 6MM FLAT, SS	2	08269
M EDGE TRIM (19")	1	102451
N HEAT SHIELD	1	073182
O EDGE TRIM (39")	1	102496
P ADAPTER; UNIVERSAL, 6"	1	21512-1
Q HOSE CLAMP #104	1	08697
R AIR FILTER	1	RC-5173



NOTE: FAILURE TO FOLLOW INSTALLATION INSTRUCTIONS AND NOT USING THE PROVIDED HARDWARE MAY DAMAGE THE INTAKE TUBE, THROTTLE BODY AND ENGINE.

TO START:

1. Turn off the ignition and disconnect the negative battery cable.
NOTE: Disconnecting the negative battery cable erases pre-programmed electronic memories. Write down all memory settings before disconnecting the negative battery cable. Some radios will require an anti-theft code to be entered after the battery is reconnected. The anti-theft code is typically supplied with your owner's manual. In the event your vehicles anti-theft code cannot be recovered, contact an authorized dealership to obtain your vehicles anti-theft code.



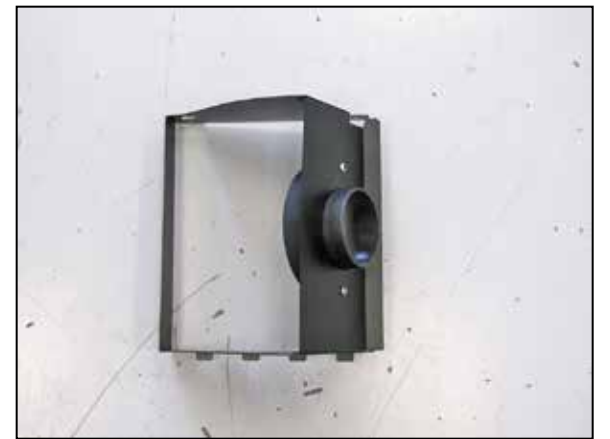
2. Disconnect the Crank case vent hose quick connect fitting.



3. Disconnect the EVAP vent quick connect fitting.



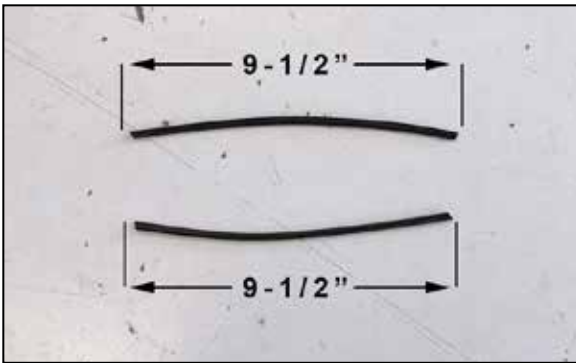
4. Loosen the hose clamp securing the intake tube to the throttle body, unhook the coolant reservoir hose from the intake tube and unclip the two upper air filter housing retaining clips. Then remove the upper air filter housing and intake tube assembly.
NOTE: K&N Engineering, Inc., recommends that customers do not discard factory air intake.



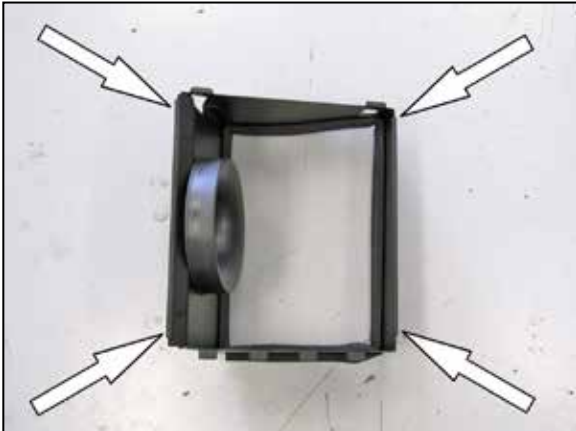
5. Install the filter adapter into the K&N® heat shield as shown and secure with the provided hardware.



6. Install the provided bulb edge trim onto the heat shield as shown.
NOTE: Some trimming of the edge trim will be necessary.



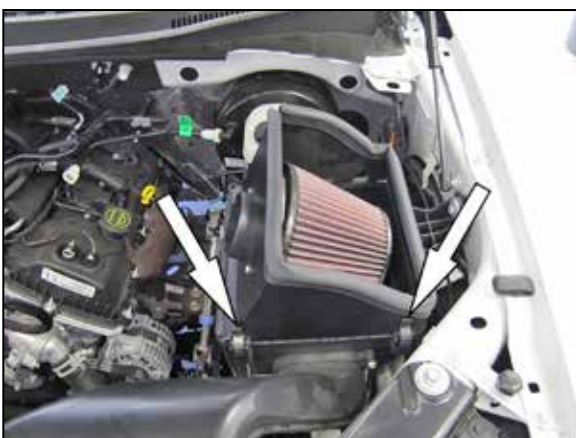
7. Cut the provided small edge trim into two lengths of 9-1/2" as shown.



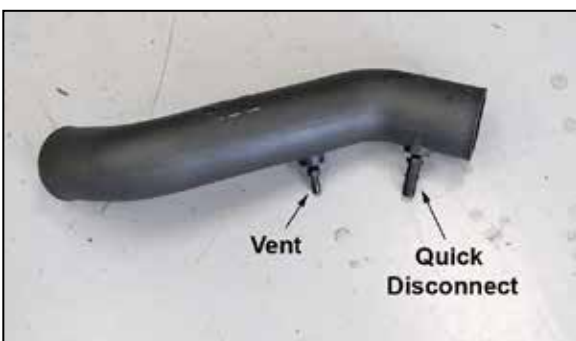
8. Install the two small edge trim onto the bottom of the heat shield as shown.



9. Install the K&N® air filter onto the filter adapter and secure with the provided hose clamp.
NOTE: Drycharger® air filter wrap; part # RC-5173DK is available to purchase separately.



10. Install the heat shield assembly onto the lower air filter housing and secure with the factory retaining clips.



11. Install the provided NPT quick disconnect fitting and NPT vent fitting into the K&N® intake tube as shown.

NOTE: Plastic NPT fittings are easy to cross thread. Install the vent fitting "hand" tight, then turn it two complete turns with a wrench.



12. Install the provided hump coupler hose (08699) onto the K&N® intake tube and secure with the provided hose clamp.



13. Install the provided step coupler hose (084055) onto the throttle body and secure with the provided hose clamp.



14. Install the K&N® intake tube assembly into the hose at the throttle body and onto the filter adapter, align the tube for best fit and then secure with the provided hose clamp.



15. Connect the crank case vent quick disconnect fitting to the mating quick disconnect fitting installed into the K&N® intake tube.



16. Install the provided EVAP vent hose onto the provided quick disconnect union as shown.



17. Install the quick disconnect union into the mating EVAP quick disconnect fitting and then connect the open EVAP vent hose to the fitting installed into the K&N® intake tube.



18. Reconnect the vehicle's negative battery cable. Double check to make sure everything is tight and properly positioned before starting the vehicle.

19. It will be necessary for all K&N® high flow intake systems to be checked periodically for realignment, clearance and tightening of all connections. Failure to follow the above instructions or proper maintenance may void warranty.

ROAD TESTING:

1. Start the engine with the transmission in neutral or park, and the parking brake engaged. Listen for air leaks or odd noises. For air leaks secure hoses and connections. For odd noises, find cause and repair before proceeding. This kit will function identically to the factory system except for being louder and much more responsive.

2. Test drive the vehicle. Listen for odd noises or rattles and fix as necessary.

3. If road test is fine, you can now enjoy the added power and performance from your kit.

4. K&N Engineering, Inc., requires cleaning the intake system's air filter element every 100,000 miles. When used in dusty or off-road environments, our filters will require cleaning more often. We recommend that you visually inspect your filter once every 25,000 miles to determine if the screen is still visible. When the screen is no longer visible some place on the filter element, it is time to clean it. To clean and re-oil, purchase our filter Recharger® service kit, part number 99-5050 or 99-5000 and follow the easy instructions.