



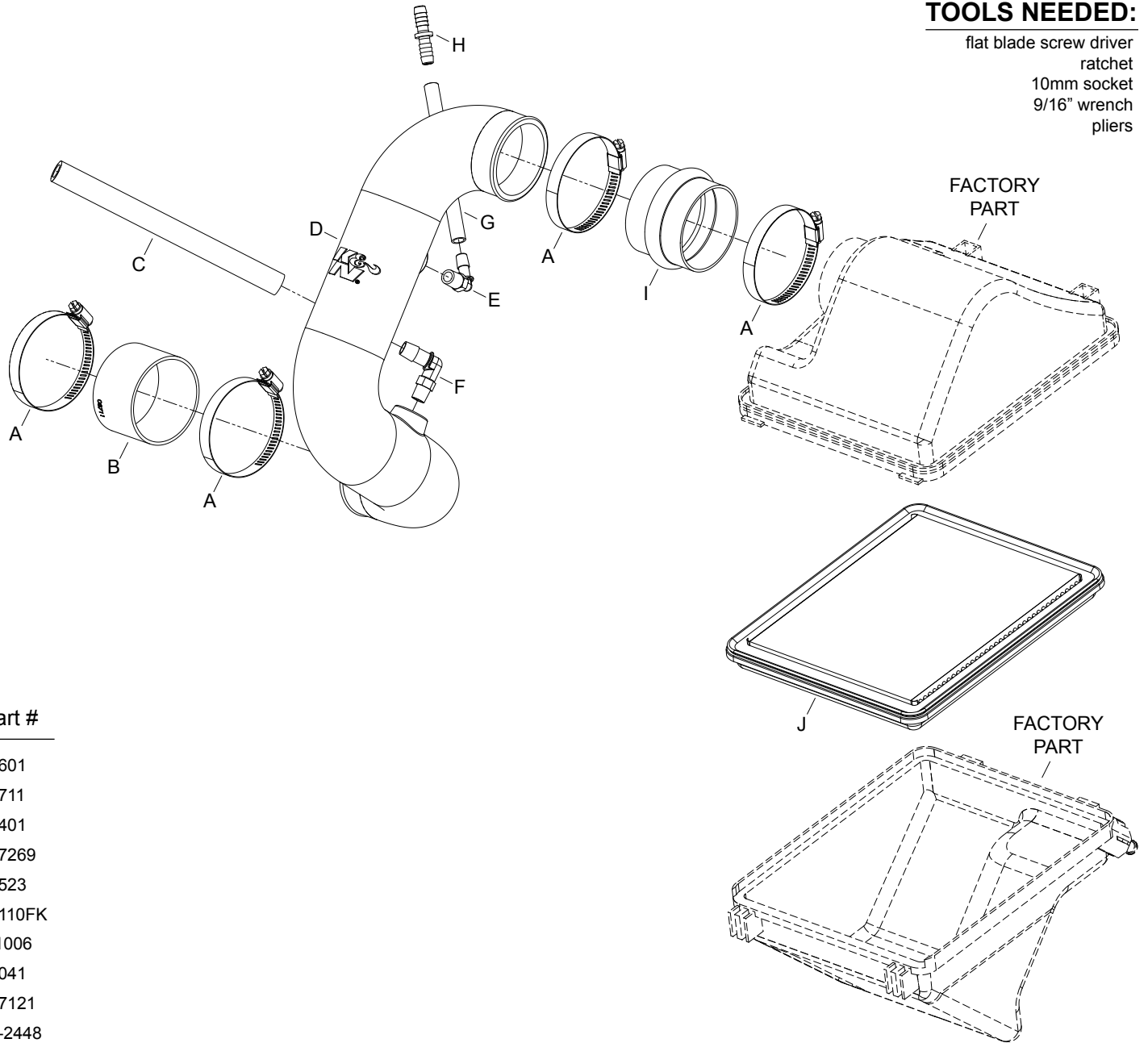
INSTALLATION INSTRUCTIONS

57-5300
KIA / HYUNDAI
2013 Optima
2013 Sonata
L4-2.4L

NOTE: EXCLUDING LEV2 SULEV
2013 TEST GROUPS
DHYXV02.42GP
DKMXV02.45GP

TOOLS NEEDED:

- flat blade screw driver
- ratchet
- 10mm socket
- 9/16" wrench
- pliers



PARTS LIST:

Description	Qty.	Part #
A Hose Clamp #48	4	08601
B Hose; 3" ID X 2"L Reinforced	1	08711
C Hose; 1/2" ID X 9"L	1	08401
D Intake Tube (JA)	1	087269
E Vent; 1/4"NPT, 90 Deg., 3/8"	1	08523
F Vent; 90 DEG, 1/2" Hose, 1/4"	1	08110FK
G Hose 3/8"ID X 6"L	1	5-1006
H Vent; STRT 3/8" Hose- 3/8" Hose	1	08041
I Hose; 3" ID X 2-1/2"L Hump	1	087121
J Air Filter	1	33-2448

NOTE: FAILURE TO FOLLOW INSTALLATION INSTRUCTIONS AND NOT USING THE PROVIDED HARDWARE MAY DAMAGE THE INTAKE TUBE, THROTTLE BODY AND ENGINE.

TO START:

1. Turn off the ignition and disconnect the negative battery cable.
NOTE: Disconnecting the negative battery cable erases pre-programmed electronic memories. Write down all memory settings before disconnecting the negative battery cable. Some radios will require an anti-theft code to be entered after the battery is reconnected. The anti-theft code is typically supplied with your owner's manual. In the event your vehicles anti-theft code cannot be recovered, contact an authorized dealership to obtain your vehicles anti-theft code.



2. Lift up the engine cover and remove it from the engine.



3. Remove the two bolts securing the fresh air intake duct to the core support and then remove the fresh air intake duct from the vehicle.
NOTE: These bolts will be reused.



4. Disconnect the EVAP vent hose from intake tube and then disconnect the crank case vent hose from the valve cover.



5. Loosen the hose clamp securing the factory intake tube to the throttle body.



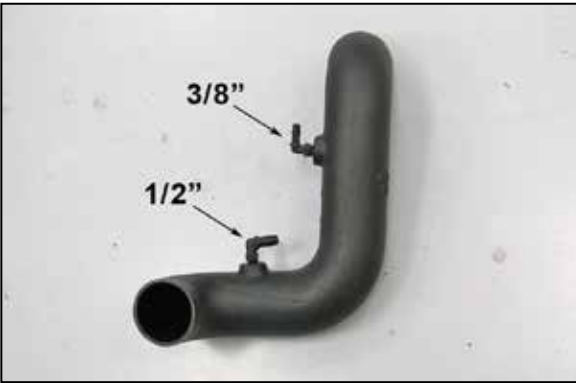
6. Loosen the hose clamp securing the factory intake tube to the air box and then remove the intake tube from the vehicle.
NOTE: K&N Engineering, Inc., recommends that customers do not discard factory air intake.



7. Release the four clips securing the upper air box; remove the upper air box and factory air filter.



8. Install the provided K&N® air filter and then reinstall the upper air box and latch into position.



9. Install the two provided 3/8" and 1/2" 90° vent fittings into the K&N® intake tube as shown.
NOTE: Plastic NPT fittings are easy to cross thread. Install the vent fitting "hand" tight, then turn it two complete turns with a wrench.



10. Install the provided 3/8" union into the provided 3/8" id vent hose as shown.



11. Install the 3/8" vent hose assembly onto the 3/8" fitting as shown.



12. Install the provided 1/2" vent hose onto the 1/2" fitting as shown.



13. Install the provided coupling hose (08711) onto the throttle body and secure with the provided hose clamp.



14. Install the provided hump hose (078121) onto the air box and secure with the provided hose clamp.



15. Install the intake tube assembly into the coupling hose at the throttle body and then into the hose at the air box, secure the tube with the provided hose clamps.



16. Connect the crank case vent line to the valve cover port and connect the EVAP vent line with the union and secure with the factory spring clamp.



17. Reinstall the fresh air intake duct and secure with the factory bolts.



18. Reinstall the engine cover.



19. Reconnect the vehicle's negative battery cable. Double check to make sure everything is tight and properly positioned before starting the vehicle.

20. The C.A.R.B. exemption sticker, (attached), must be visible under the hood so that an emissions inspector can see it when the vehicle is required to be tested for emissions. California requires testing every two years, other states may vary.

21. It will be necessary for all K&N® high flow intake systems to be checked periodically for realignment, clearance and tightening of all connections. Failure to follow the above instructions or proper maintenance may void warranty.

ROAD TESTING:

1. Start the engine with the transmission in neutral or park, and the parking brake engaged. Listen for air leaks or odd noises. For air leaks secure hoses and connections. For odd noises, find cause and repair before proceeding. This kit will function identically to the factory system except for being louder and much more responsive.

2. Test drive the vehicle. Listen for odd noises or rattles and fix as necessary.

3. If road test is fine, you can now enjoy the added power and performance from your kit.

4. K&N Engineering, Inc., requires cleaning the intake system's air filter element every 100,000 miles. When used in dusty or off-road environments, our filters will require cleaning more often. We recommend that you visually inspect your filter once every 25,000 miles to determine if the screen is still visible. When the screen is no longer visible some place on the filter element, it is time to clean it. To clean and re-oil, purchase our filter Recharger® service kit, part number 99-5050 or 99-5000 and follow the easy instructions.