



INTAKE SYSTEMS FOR VEHICLES LISTED ARE 50 STATE LEGAL. SEE KNFILTERS FOR CARB STATUS ON EACH PART FOR A SPECIFIC VEHICLE.

INSTALLATION INSTRUCTIONS

57-3098

CHEVROLET / GMC / CADILLAC

2017-18 Silverado 1500

2017-18 Sierra 1500

2019 Silverado 1500 LD

2019 Sierra 1500 LTD

2017-20 Suburban / Tahoe

2017-20 Yukon / Yukon XL

V8-5.3L

2017-18 Silverado 1500

2017-18 Sierra 1500

2019-20 Suburban

2018-20 Tahoe

2017-20 Yukon / Yukon XL

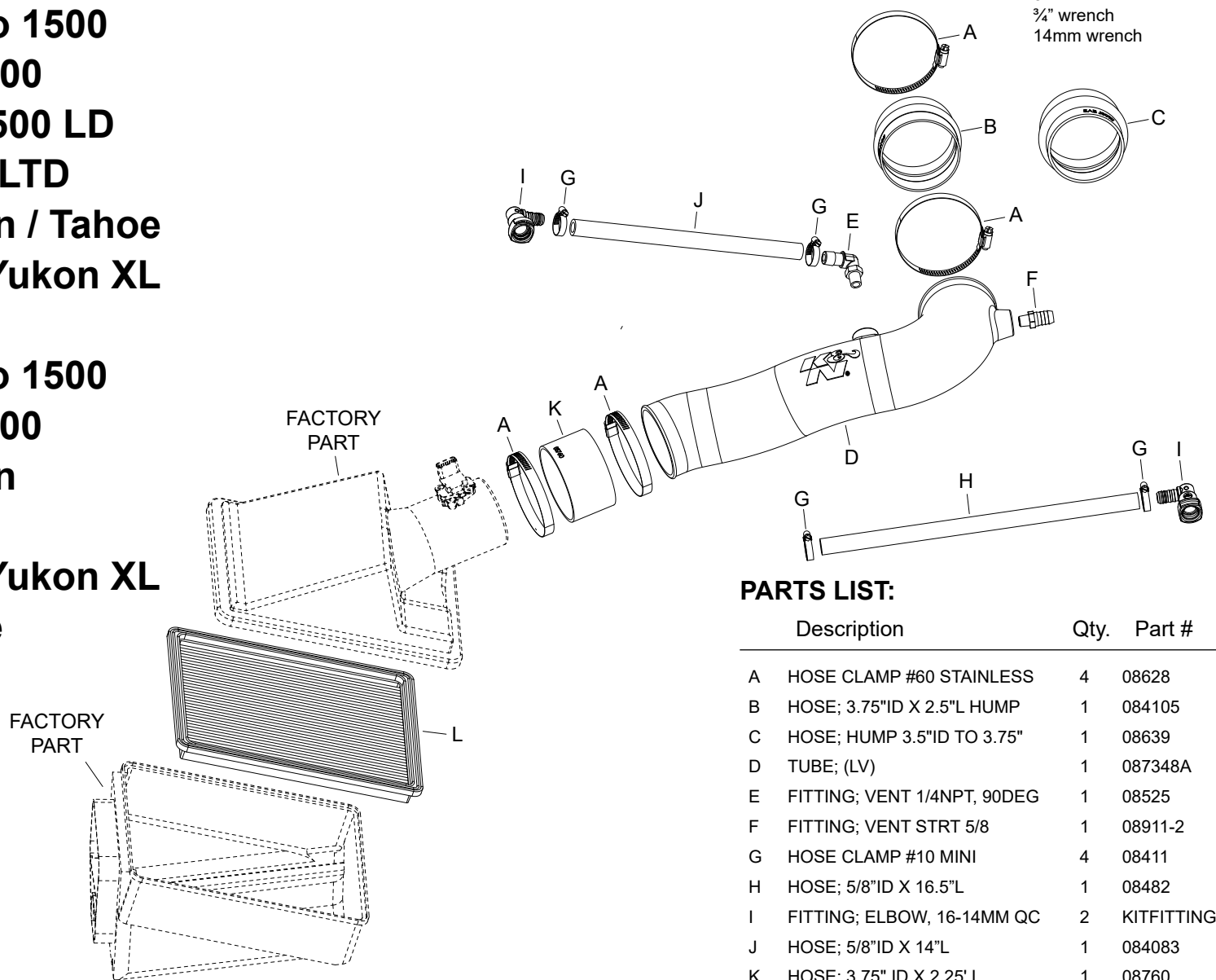
2017-20 Escalade

V8-6.2L

NOTE: This kit was not designed to fit vehicles with a body lift.

TOOLS NEEDED:

- flat blade screw driver
- ratchet
- extension
- 8mm socket
- 3/4" wrench
- 14mm wrench



PARTS LIST:

Description	Qty.	Part #
A HOSE CLAMP #60 STAINLESS	4	08628
B HOSE; 3.75"ID X 2.5"L HUMP	1	084105
C HOSE; HUMP 3.5"ID TO 3.75"	1	08639
D TUBE; (LV)	1	087348A
E FITTING; VENT 1/4NPT, 90DEG	1	08525
F FITTING; VENT STRT 5/8	1	08911-2
G HOSE CLAMP #10 MINI	4	08411
H HOSE; 5/8"ID X 16.5"L	1	08482
I FITTING; ELBOW, 16-14MM QC	2	KITFITTING33
J HOSE; 5/8"ID X 14"L	1	084083
K HOSE; 3.75" ID X 2.25" L	1	08760
L CAD 02-04, CHEV/GMC P/U	1	33-2129

NOTE: FAILURE TO FOLLOW INSTALLATION INSTRUCTIONS AND NOT USING THE PROVIDED HARDWARE MAY DAMAGE THE INTAKE TUBE, THROTTLE BODY AND ENGINE.

TO START:

1. Turn off the ignition and disconnect the negative battery cable.
NOTE: Disconnecting the negative battery cable erases pre-programmed electronic memories. Write down all memory settings before disconnecting the negative battery cable. Some radios will require an anti-theft code to be entered after the battery is reconnected. The anti-theft code is typically supplied with your owner's manual. In the event your vehicles anti-theft code cannot be recovered, contact an authorized dealership to obtain your vehicles anti-theft code.



2. Disconnect both crank case quick connect vent lines from the valve covers.



3. Loosen the hose clamps that secure the intake plenum to the throttle body and air filter housing. Then remove the intake plenum from the vehicle.



4. Loosen the screws that secure the upper air filter housing and then lift off the housing to remove the factory air filter.



5. Install the K&N® air filter into the lower filter housing and then reinstall the upper housing and secure with the factory hardware.



6. Install the provided 90° and straight vent fittings into the K&N® intake tube as shown.
NOTE: Plastic NPT fittings are easy to cross thread. Install the vent fitting "hand" tight, then turn it two complete turns with a wrench.



7. Install the provided coupler hoses onto the K&N® intake tube and secure with the provided hose clamps.

NOTE: 5.3L engines use hump coupler #08639, and 6.2L engines use hump coupler #084105



8. Install the intake tube assembly onto the air filter housing and then onto the throttle body, adjust the tube for best fit and then secure with the provided hose clamps.



9. Install the provided quick disconnect fittings into one end of each hose and secure with the provided hose clamps.



10. Install the crank case vent hose assemblies onto the vent fittings installed into the K&N® intake tube and then connect the quick connect fittings to the port on the valve covers.

NOTE: the 12" long assembly is for the passenger side and the 15" assembly is for the driver's side valve cover.



11. Reconnect the vehicle's negative battery cable. Double check to make sure everything is tight and properly positioned before starting the vehicle.

12. The C.A.R.B. exemption sticker, (attached), must be visible under the hood so that an emissions inspector can see it when the vehicle is required to be tested for emissions. California requires testing every two years, other states may vary.

13. It will be necessary for all K&N® high flow intake systems to be checked periodically for realignment, clearance and tightening of all connections. Failure to follow the above instructions or proper maintenance may void warranty.

14. **NOTE:** Most General Motors vehicles have the Vehicle Emissions Certification Information (VECI) label affixed to the air filter box. In order to be compliant with California emissions laws, the label **MUST** remain in the engine compartment. If the Vehicle Emission Control Information label is removed during modification, a new replacement label must be obtained and installed in a readily visible position in the engine compartment. The label shall not be affixed to any equipment which is easily detached from the vehicle. We recommend that the label is affixed to the underside of the hood adjacent to the hood latch. The label is Vehicle Identification Number dependent and can be ordered from the vehicle dealership. In order to receive the proper decal please bring your VIN with you. Failure to have the VECI under the hood may result in failure of a pre-registration smog test.

ROAD TESTING:

1. Start the engine with the transmission in neutral or park, and the parking brake engaged. Listen for air leaks or odd noises. For air leaks secure hoses and connections. For odd noises, find cause and repair before proceeding. This kit will function identically to the factory system except for being louder and much more responsive.

2. Test drive the vehicle. Listen for odd noises or rattles and fix as necessary.

3. If road test is fine, you can now enjoy the added power and performance from your kit.

4. K&N Engineering, Inc., requires cleaning the intake system's air filter element every 100,000 miles. When used in dusty or off-road environments, our filters will require cleaning more often. We recommend that you visually inspect your filter once every 25,000 miles to determine if the screen is still visible. When the screen is no longer visible some place on the filter element, it is time to clean it. To clean and re-oil, purchase our filter Recharger® service kit, part number 99-5050 or 99-5000 and follow the easy instructions.

INTAKE SYSTEMS FOR VEHICLES LISTED ARE 50 STATE LEGAL. SEE KNFILTERS FOR CARB STATUS ON EACH PART FOR A SPECIFIC VEHICLE.