



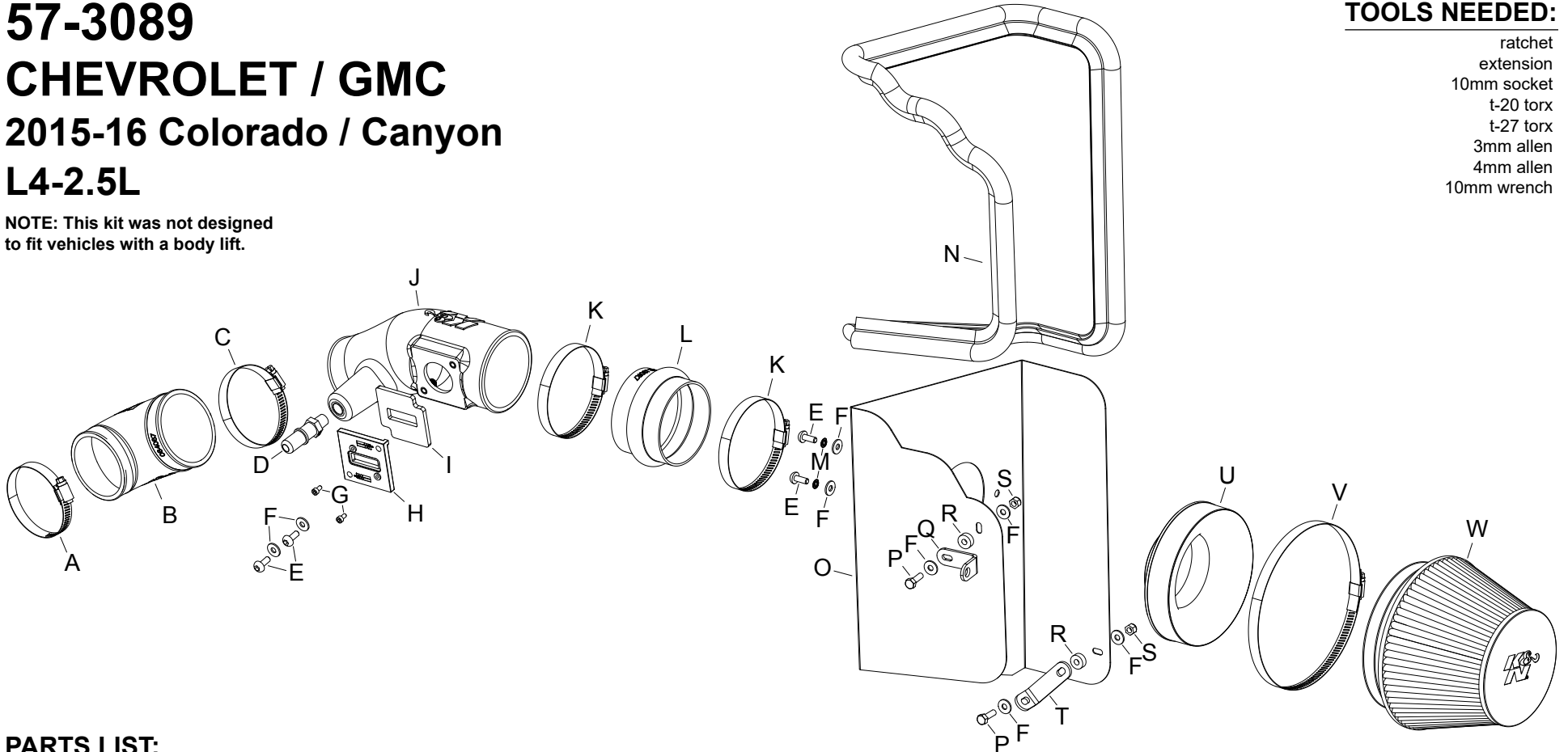
INSTALLATION INSTRUCTIONS

57-3089
CHEVROLET / GMC
2015-16 Colorado / Canyon
L4-2.5L

NOTE: This kit was not designed to fit vehicles with a body lift.

TOOLS NEEDED:

- ratchet
- extension
- 10mm socket
- t-20 torx
- t-27 torx
- 3mm allen
- 4mm allen
- 10mm wrench



PARTS LIST:

Description	Qty.	Part #	Description	Qty.	Part #	Description	Qty.	Part #
A HOSE CLAMP #48	1	08601	I GASKET; 57-2556, 3/16 PORON	1	09069	Q BRACKET; 63-1015, "L", FIN	1	070712A
B HOSE; 3" TO 2-3/4" ID 98DEG	1	084087	J INTAKE TUBE	1	087301A	R SPACER: .625" OD X .250"ID	2	06555
C HOSE CLAMP #44 STAINLESS	1	08560	K HOSE CLAMP #56	2	08620	S NUT; 6MM NYLOCK, HEXHEAD	2	07512
D VENT; 1/4 NPT TO QUICK DIS	1	082628	L HOSE; 3-1/2" ID X 2-1/2" L	1	08699	T BRACKET; "L", TB/PC	1	07805
E BOLT; M6 X 1.00 X 16MM, SS	4	07730	M WASHER, M6 SPLIT LOCK ZINC	2	1-3025	U ADAPTER; UNIVERSAL, 6"	1	21512-1
F WASHER; 6MM FLAT, SS	8	08269	N EDGE TRIM (66")	1	102472	V HOSE CLAMP #104	1	08697
G BOLT; M4 - 0.7 8MM, A/H CAP	2	07733	O HEAT SHIELD	1	073205	W AIR FILTER	1	RC-2960XD
H ADAPTOR; 57-2556, NYLON	1	21515	P BOLT; M6 X 1.00" X 20MM HEX	2	07795			

NOTE: FAILURE TO FOLLOW INSTALLATION INSTRUCTIONS AND NOT USING THE PROVIDED HARDWARE MAY DAMAGE THE INTAKE TUBE, THROTTLE BODY AND ENGINE.

TO START:

1. Turn off the ignition and disconnect the negative battery cable.
NOTE: Disconnecting the negative battery cable erases pre-programmed electronic memories. Write down all memory settings before disconnecting the negative battery cable. Some radios will require an anti-theft code to be entered after the battery is reconnected. The anti-theft code is typically supplied with your owner's manual. In the event your vehicles anti-theft code cannot be recovered, contact an authorized dealership to obtain your vehicles anti-theft code.



2. Loosen the two hose clamps that secure the intake plenum to the throttle body and air filter housing.



3. Remove the bolt that secures the intake plenum to the engine.



4. Disconnect the crank case vent hose from the intake plenum.



5. Remove the intake plenum from the vehicle.



6. Disconnect the mass air sensor electrical connection.



7. Remove the two nuts securing the air filter housing to the inner fender.

NOTE: One of the nuts will be reused in a later step.



8. Remove the air filter housing assembly from the vehicle.

NOTE: K&N Engineering, Inc., recommends that customers do not discard factory air intake.

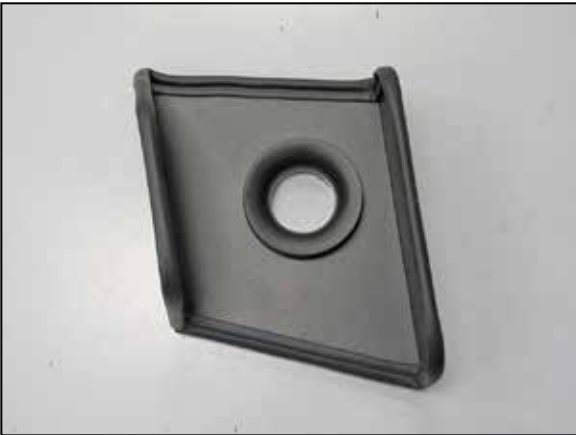


9. Remove the nut securing the coolant reservoir to the inner fender.

NOTE: This nut will be reused in a later step.



10. Install the filter adapter into the heat shield and secure with the provided hardware.



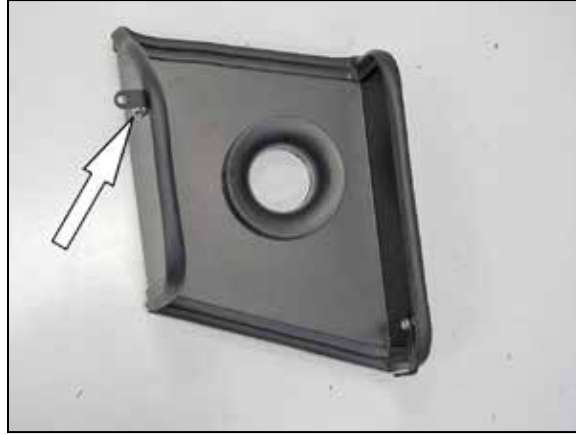
11. Install the edge trim onto the heat shield as shown.

NOTE: Some trimming of the edge trim will be necessary.



12. Install the heat shield mounting bracket (070712A) onto the heat shield using the provided hardware and spacer.

NOTE: The spacer is to be placed between the heat shield and bracket.



13. Install the heat shield mounting bracket (07805) onto the heat shield using the provided hardware and spacer.

NOTE: The spacer is to be placed between the heat shield and bracket.



14. Install the heat shield into position and secure with two of the factory nuts removed in earlier steps.



15. Install the provided gasket onto the K&N mass air sensor adapter.



16. Remove the two screws securing the mass air sensor and then remove the mass air sensor from the factory air filter housing.



17. Install the mass air sensor into the K&N adapter and then install the assembly into the K&N intake tube and secure with the provided hardware.

NOTE: be sure to install the sensor in the correct position. The opening in the sensor is to be pointed towards the air filter end of the tube.



18. Install the Provided NPT quick disconnect fitting into the K&N intake tube as shown.

NOTE: Plastic NPT fittings are easy to cross thread. Install the vent fitting "hand" tight, then turn it two complete turns with a wrench.



19. Install the provided coupling hose (08699) onto the filter adapter and secure with the provided hose clamp.



20. Install the provided angled coupling hose (084087) onto the intake tube as shown.

NOTE: Do not secure the hose at this time as it will need to be adjusted.



21. Install the Intake tube assembly into the coupling hose at the filter adapter and then connect it to the throttle body, adjust the tube and hoses for best fit and then secure with the provided hose clamps.



22. Connect the crank case vent hose to the fitting installed into the K&N® intake tube.



23. Reconnect the mass air sensor electrical connection.



24. Install the K&N® air filter and secure with the provided hose clamp.



25. Reconnect the vehicle's negative battery cable. Double check to make sure everything is tight and properly positioned before starting the vehicle.

26. The C.A.R.B. exemption sticker, (attached), must be visible under the hood so that an emissions inspector can see it when the vehicle is required to be tested for emissions. California requires testing every two years, other states may vary.

27. It will be necessary for all K&N® high flow intake systems to be checked periodically for realignment, clearance and tightening of all connections. Failure to follow the above instructions or proper maintenance may void warranty.

ROAD TESTING:

1. Start the engine with the transmission in neutral or park, and the parking brake engaged. Listen for air leaks or odd noises. For air leaks secure hoses and connections. For odd noises, find cause and repair before proceeding. This kit will function identically to the factory system except for being louder and much more responsive.

2. Test drive the vehicle. Listen for odd noises or rattles and fix as necessary.

3. If road test is fine, you can now enjoy the added power and performance from your kit.

4. K&N Engineering, Inc., requires cleaning the intake system's air filter element every 100,000 miles. When used in dusty or off-road environments, our filters will require cleaning more often. We recommend that you visually inspect your filter once every 25,000 miles to determine if the screen is still visible. When the screen is no longer visible some place on the filter element, it is time to clean it. To clean and re-oil, purchase our filter Recharger® service kit, part number 99-5050 or 99-5000 and follow the easy instructions.