



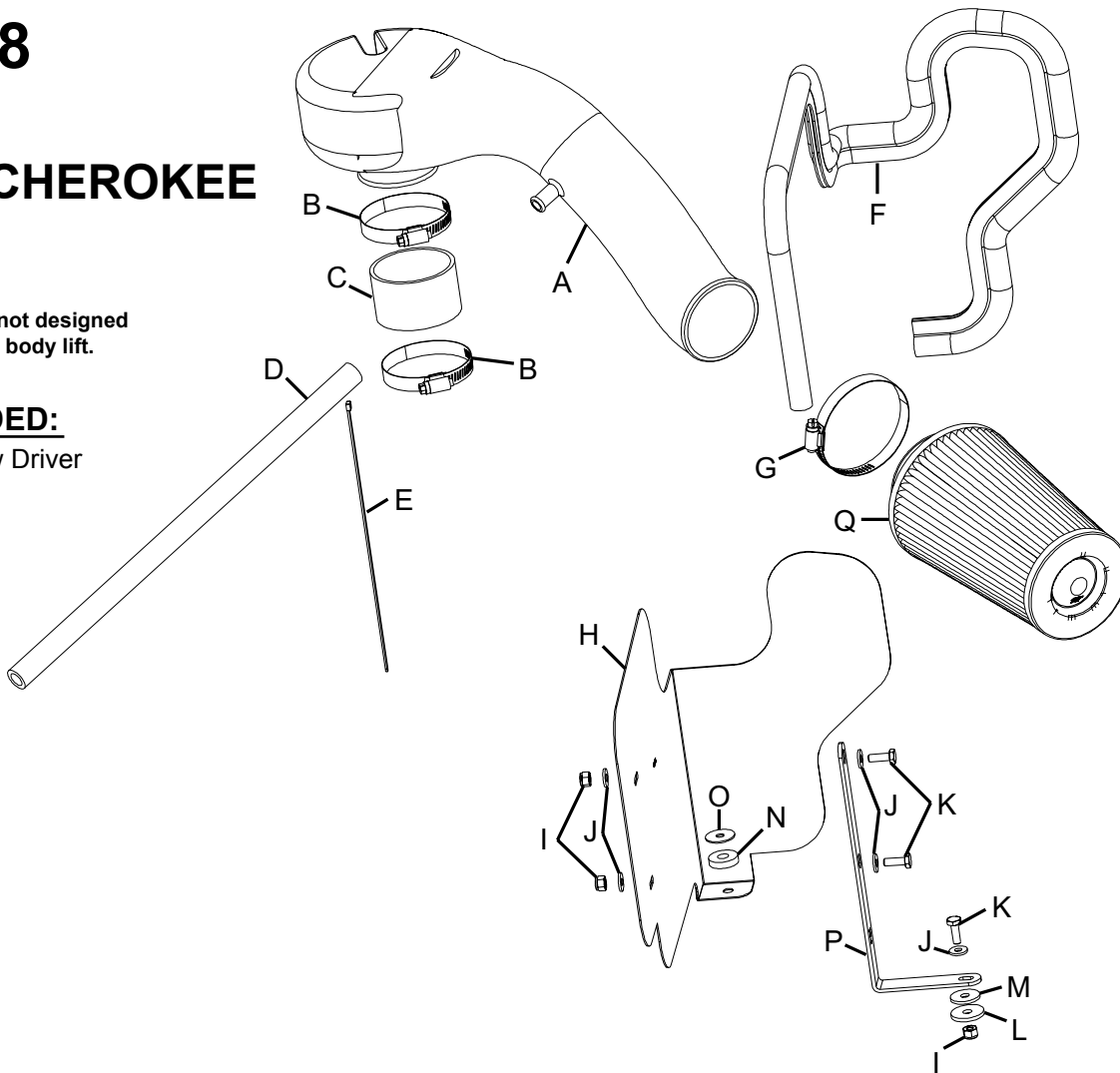
# INSTALLATION INSTRUCTIONS

**57-1518**  
**JEEP**  
**1996-01 CHEROKEE**  
**L6-4.0L**

**NOTE:** This kit was not designed to fit vehicles with a body lift.

**TOOLS NEEDED:**

- Flat Blade Screw Driver
- 13mm Wrench
- 7/16" Wrench



**PARTS LIST:**

Description	Qty.	Part #
A intake tube	1	27022
B hose clamp #40	2	08554
C silicone hose	1	08108
D silicone hose 1/2 x 17"	1	08177
E cable tie	1	21638
F edge trim 48"L	1	102485
G hose clamp #48	1	08601
H heat shield	1	07438
I nut; 1/4-20, nylock, zinc	3	07517
J washer; 1/4" id x 5/8" od	5	08275
K bolt; 1/4-20 x 3/4 hexhead	3	08386
L washer; 1" d x 1/4 hole fender	1	08160
M washer; 1" x .300 x .100 rubber	1	21685
N washer; 1" od x .37" id x .23" thk	1	08281
O washer; 5/16-1.125" fender	1	08130
P bracket "L"	1	07802
Q filtercharger	1	RC-4690

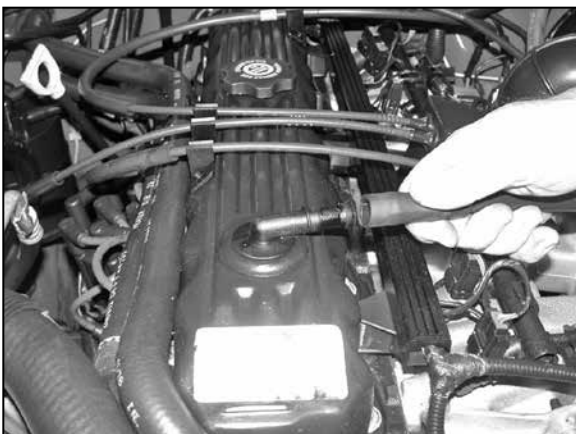
**NOTE: FAILURE TO FOLLOW INSTALLATION INSTRUCTIONS AND NOT USING THE PROVIDED HARDWARE MAY DAMAGE THE INTAKE TUBE, THROTTLE BODY AND ENGINE.**

**TO START:**

1. Turn off the ignition and disconnect the negative battery cable.  
**NOTE: Disconnecting the negative battery cable erases pre-programmed electronic memories. Write down all memory settings before disconnecting the negative battery cable. Some radios will require an anti-theft code to be entered after the battery is reconnected. The anti-theft code is typically supplied with your owner's manual. In the event your vehicles' anti-theft code cannot be recovered, contact an authorized dealership to obtain your vehicles anti-theft code.**



2. Loosen the hose clamp at the throttle body.



3. Disconnect the crank case vent line at the valve cover.



4. Unclip the air box lid, then, remove the upper intake assembly.



5. Loosen and remove the two bolts, and one nut to remove the lower air box assembly.  
**NOTE: K&N Engineering, Inc., recommends that customers do not discard factory air intake.**



6. Using the provided hardware, bolt the "L" bracket to the heat shield as shown. Do not tighten completely.



7. Install the trim seal to the heat shield as shown. Trim as needed.



8. Install the heat shield into the vehicle as shown.



9. Secure the heat shield to the original air box mounting stud using the provided washers, and the nut removed in step 5. Do not tighten completely.





10. Using the provided hardware secure the "L" bracket to the inner fender as shown. Now tighten all hardware.



11. Install the silicone hose and hose clamps onto the throttle body as shown.



12. Install the K&N® intake tube into the silicone hose on the throttle body.



13. Install the provided silicone hose onto the vent on the valve cover.

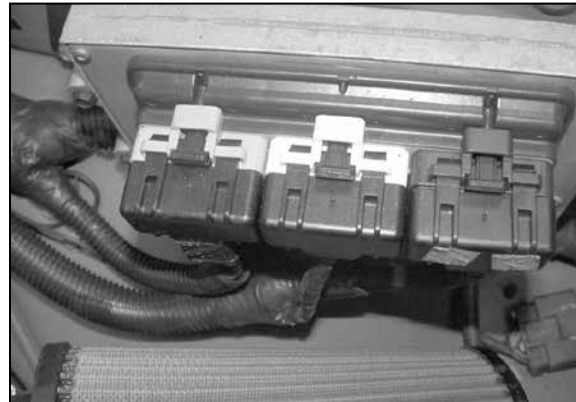


14. Connect the other end of the silicone hose to the vent on the K&N® intake tube



15. Install the K&N® filtercharger onto the K&N® intake tube as shown.

**NOTE: Drycharger® air filter wrap; part # RC-4690DK is available to purchase separately.**



16. It may be necessary to zip-tie the wire harness to give proper clearance between the filter and harness.



17. Reconnect the vehicle's negative battery cable. Double check to make sure everything is tight and properly positioned before starting the vehicle.

18. The C.A.R.B. exemption sticker, (attached), must be visible under the hood so that an emissions inspector can see it when the vehicle is required to be tested for emissions. California requires testing every two years, other states may vary.

19. It will be necessary for all K&N® high flow intake systems to be checked periodically for realignment, clearance and tightening of all connections. Failure to follow the above instructions or proper maintenance may void warranty.

#### ROAD TESTING:

1. Start the engine with the transmission in neutral or park, and the parking brake engaged. Listen for air leaks or odd noises. For air leaks secure hoses and connections. For odd noises, find cause and repair before proceeding. This kit will function identically to the factory system except for being louder and much more responsive.

2. Test drive the vehicle. Listen for odd noises or rattles and fix as necessary.

3. If road test is fine, you can now enjoy the added power and performance from your kit.

4. K&N Engineering, Inc., requires cleaning the intake system's air filter element every 100,000 miles. When used in dusty or off-road environments, our filters will require cleaning more often. We recommend that you visually inspect your filter once every 25,000 miles to determine if the screen is still visible. When the screen is no longer visible some place on the filter element, it is time to clean it. To clean and re-oil, purchase our filter Recharger® service kit, part number 99-5050 or 99-5000 and follow the easy instructions.

**50-STATE STREET LEGAL**  
**K&N CARB EXEMPT K&N**