



**PLEASE READ THE INSTRUCTIONS BEFORE FITTING THE KIT**

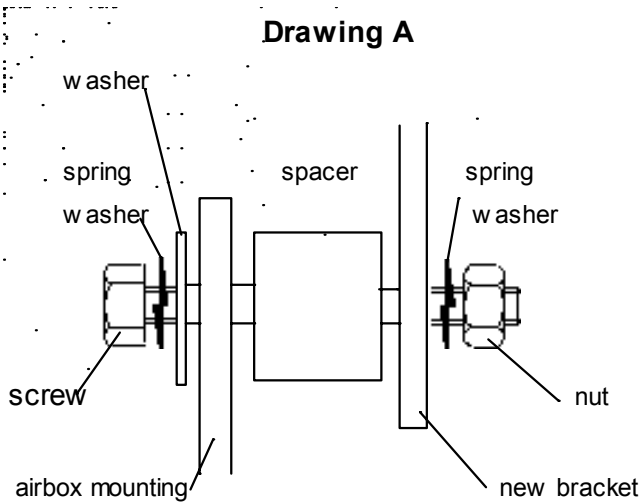
- 1 Release the hose clip on the intake pipe, and remove the two nuts securing the air box. Remove the plug from the air flow meter (**AFM**) and remove the complete air box assembly including the AFM.
- 2 Remove the AFM from the air box then remove the four studs. Fit the gasket, square adaptor and four screws supplied to the **AFM**. Fit the new bracket to the rear air box mounting using the nuts, washers and spacers supplied. **Drawing A**. Note correct alignment of the bracket. **Drawing B**.
- 3 Attach the **AFM** to the metal mounting bracket using the nuts and washers supplied. Refit the intake hose to the AFM and replace the plug. Mount the filter onto the MAS and adjust until the K & N logo is straight before tightening the clip. Tighten the clip until the filter just moves, then give one full turn (360 degrees). No more. **Don't overtighten the clip.**
- 4 **Cold Air System 320i**  
Remove the nearside head lamp cover (2 screws, 3 clips). Open up the slots in the grille to allow the cold air through. **Drawing C**.
- 5 Cut a hole in the plastic screen on the nearside of the radiator, about halfway up and just big enough to allow the 60mm cold air hose to pass through. **Carefully** expand the flexi cold air hose to approximately 38cm / 15".
- 6 Using a plastic tie attach the front end of the hose to the bracket shown in **Drawing D**. Position the hose so that it sits close to the grille when the headlight cover is replaced. Using a second plastic tie attach the other end of hose to the flat section behind the headlights. Position the end of the cold air hose to finish approximately **10cm / 4"** from the air filter (**no nearer**).
- 7 **Cold Air System 325i**  
As 5 & 6 but expand the cold air hose to 50cm / 20"
- 8 Using a plastic tie attach the front end of the hose to the bracket shown in **Drawing E**. Using a second plastic tie attach the other end of the hose to the vertical metal pipe, **Drawing E**. Position the end of the cold air hose to finish approximately **10cm / 4"** from the air filter (**no nearer**).
- 9 **Tuning**  
**CAT. Cars.**  
No adjustments are required.  
An increase in fuel mixture may be required if further modifications are carried out.  
**Non CAT. Cars.**  
We suggest that a simple **CO** test is carried out, as some cars may be set weaker than the standard setting. The **CO** figure should not be set at more than **0.5%** above the recommended figure.
- 10 **Filter maintenance.**  
Under normal conditions clean and reoil the filter at approx. 40,000 miles / 65,000 km.  
**Use only K&N cleaner and oil** and follow the instructions carefully.

**K&N Filters are pre-oiled ready to fit.**

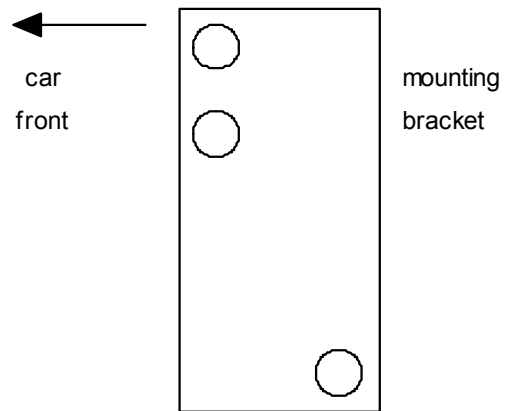
**The advantage of K&N's cold [air intake system](#)**

Cooler air, being denser, will show positive improvements in power over filter systems that draw hot air from the engine bay.

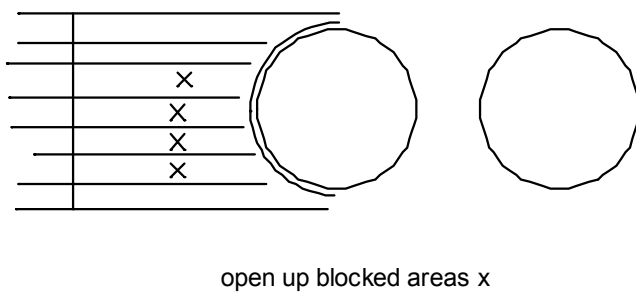
**Drawing A**



**Drawing B**

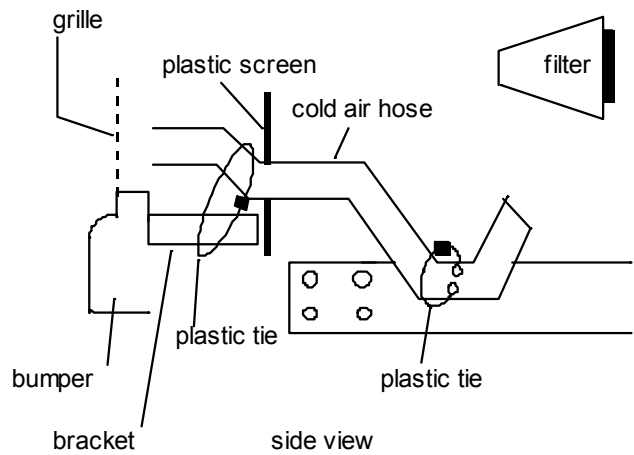


**Drawing C**



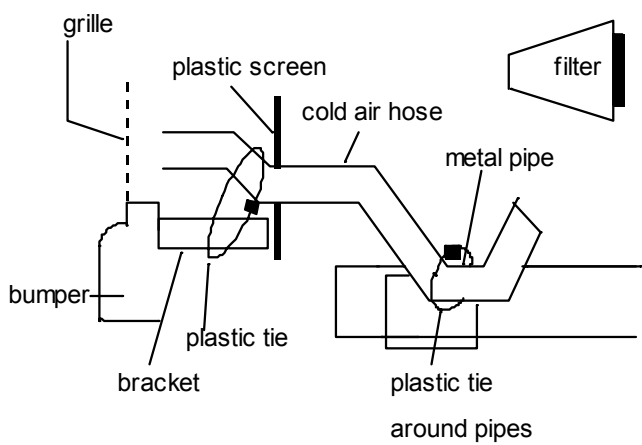
**Drawing D**

320i



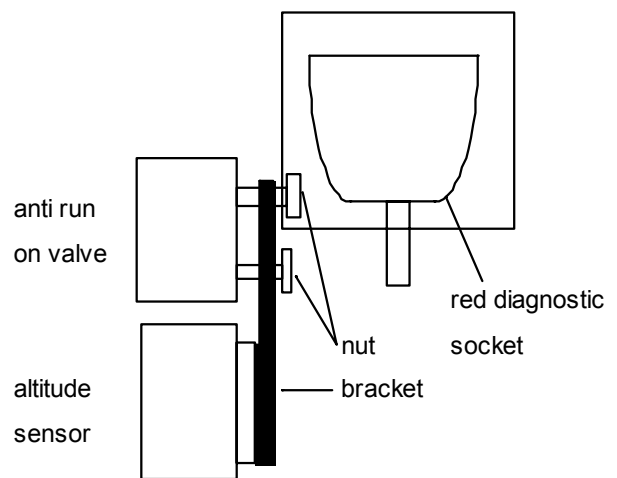
**Drawing E**

325i



side view

**Drawing F**



**Some 320i models (82-85)** may have one or both of the units shown, attached to the air box. The altitude unit can be attached to the diagnostic support and the other unit, if fitted can also be attached. M6x20mm screw /washer and nut provided, if required.

**PLEASE READ THE INSTRUCTION BEFORE FITTING THE KIT**

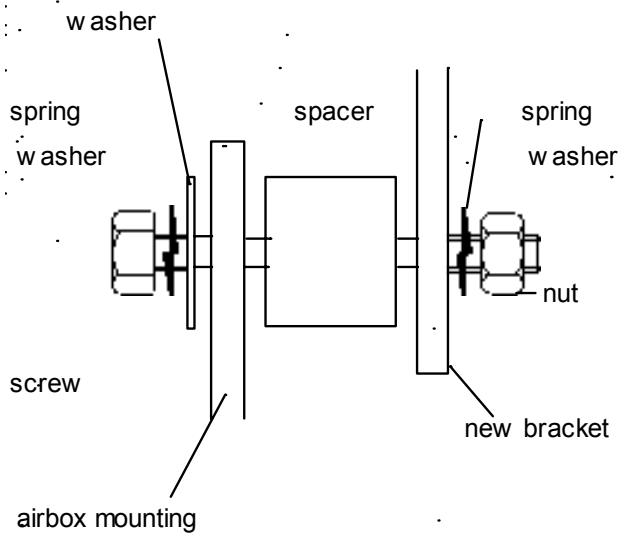
- 1** Release the hose clip on the intake pipe and remove the two nuts securing the air box. Remove the plug to the air flow meter (AFM), then remove the complete air box assembly including the AFM.
- 2** Fit the new bracket to the rear air box mounting using the nuts, washers and spacers supplied. **Drawing A.** Note correct alignment of the bracket. **Drawing B.**
- 3** Remove the AFM from the air box, remove the round intake on the front of the **AFM** and fit the square intake adaptor supplied. Attach the **AFM** to the metal mounting bracket using the nuts and washers supplied.
- 4** Refit the intake hose to the AFM and replace the plug. Mount the filter onto the MAS and adjust until the K & N logo is straight before tightening the clip. Tighten the clip until the filter just moves, then give one full turn (360 degrees). No more. **Don't overtighten the clip.**
- 5** **Cold air system.**  
Remove the plastic cover from the rear of the headlights, allowing additional cold air to the filter area. Now remove the front headlight surround (two screws and three clips) and file out the three areas shown, **Drawing C.**
- 6** **Carefully** expand the flexi hose to 43cm / 17". Reshape one end of the flexi hose to fit behind the opened up intake area. **Drawing D.**
- 7** Attach the hose to the rear of the headlight using a plastic tie. **Drawing E.** Position the other end of the cold air hose to finish approximately **10cm / 4"** from the air filter (**no nearer**) and tie from underneath through the two holes in the flat inner wing section. **Drawing F**
- 8** **Tuning**  
We suggest that a simple CO test is carried out, as some cars may be set weaker than the standard setting. The CO figure should not be set at more than **0.5%** above the recommended figure.
- 9** **Filter maintenance.**  
Under normal conditions clean and reoil the filter at approx. 40,000 miles / 65,000 km. **Use only K&N cleaner and oil** and follow the instructions carefully.

**K&N filters are pre oiled ready to fit.**

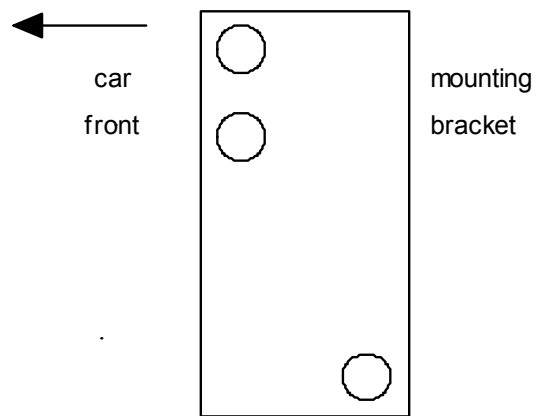
**The advantage of K&N's cold air intake system**

Cooler air, being denser, will show positive improvements in power over filter systems that draw hot air from the engine bay.

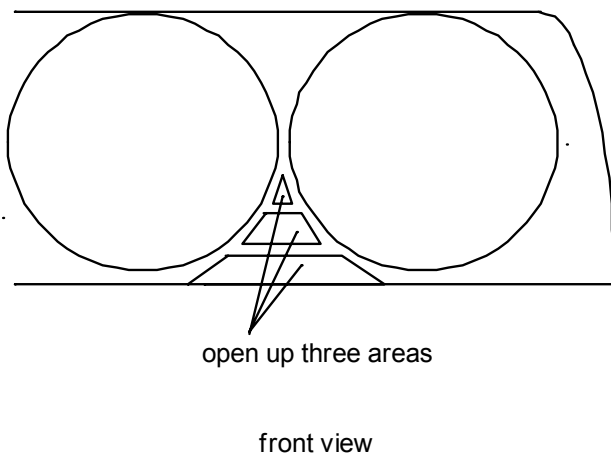
**Drawing A**



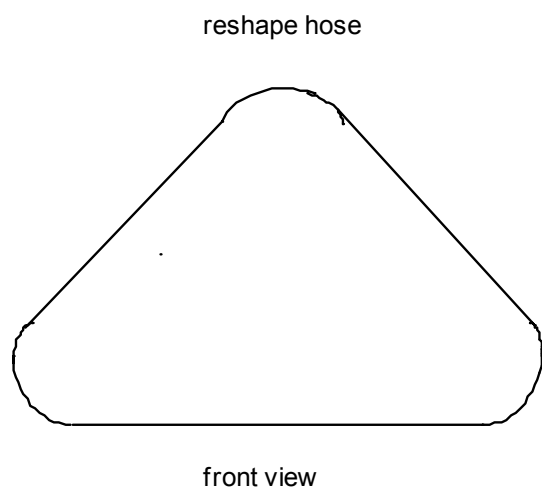
**Drawing B**



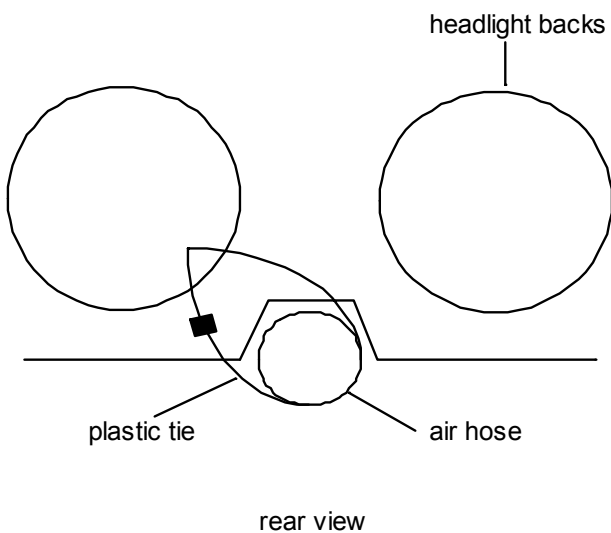
**Drawing C**



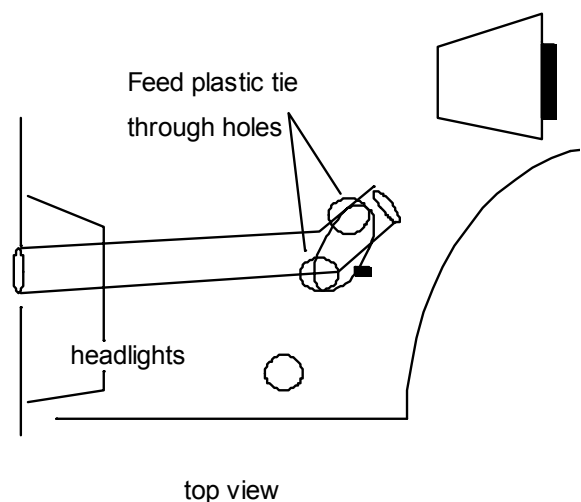
**Drawing D**



**Drawing E**



**Drawing F**



**This Kit Should Contain :-**

- 1 x Air Filter.
- 1 x Cold Air Hose Assembly.
- 1 x Instruction Sheet.
- 1 x Instruction Sheet Pack :-
  - 1 x Filter Maintenance Sheet.
  - 1 x K&N Window Sticker.
  - 1 x Million Mile Warranty Card.
  - 1 x Leaflet.
- 1 x Fixing Kit Containing:-
  - 1 x #48 Hose Clamp
  - 1 x Bracket
  - 1 x Air Flow Meter Adaptor.
  - 1 x Gasket.
  - 1 x M8 x 35 Hex Screw.
  - 1 x 8mm Nut.
  - 1 x Plastic Spacer.
  - 3 x 8mm Shakeproof washers.
  - 1 x Large Washer, 4 x Small Washers
  - 4 x M6 Hexhead Screws
  - 2 x M8 x 16 Hex Screws.
  - 2 x Plastic Cable Ties (35cm long).
- 1 x Fixing kit ref **drawing F** on 320i containing :-
  - 1 x M6 x 20mm Screw.
  - 1 x 6mm Spring Washer.
  - 1 x 6mm Nut.

**FITTING YOUR OWN 57i KIT**

If no **it is essential** that the person fitting the kit (e.g. mechanic) **carefully follows these particular instructions** even if he has fitted K&N kits before. This will save you both time and money. Kits incorrectly fitted may show a loss in performance e.g. the positioning of the essential cold air hose, (flexi expandable and rubber hoses are used).

**A final check** under the bonnet by yourself with the instructions, would seem sensible.