



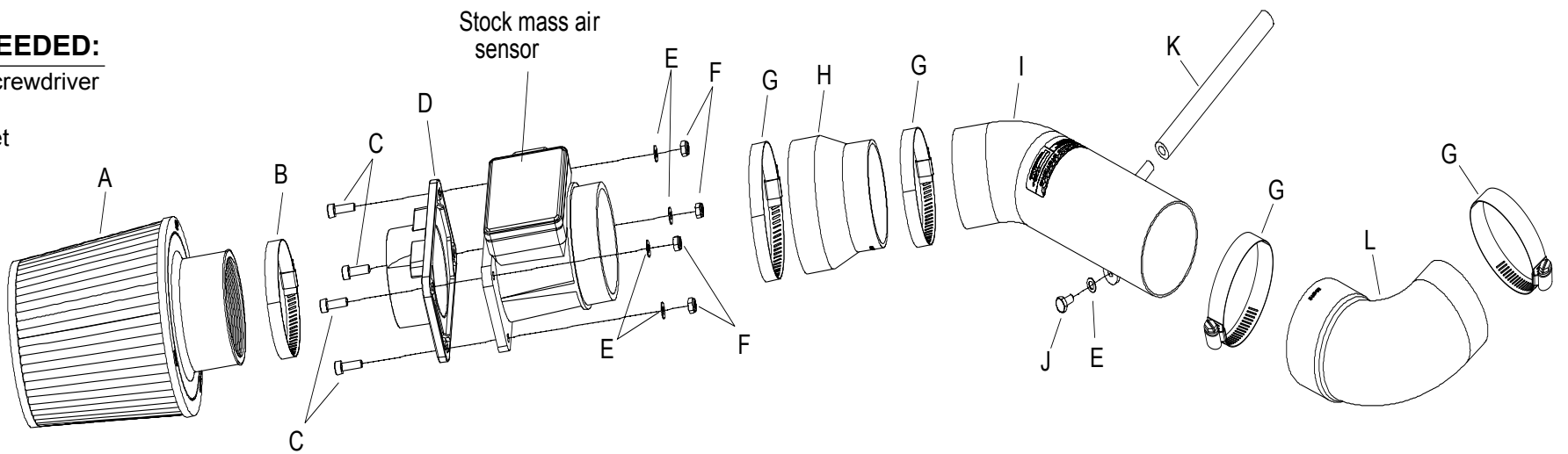
TYPHOON INTAKE SYSTEMS

INSTALLATION INSTRUCTIONS

69-6506TR MITSUBISHI 2000-05 Eclipse L4-2.4L

TOOLS NEEDED:

Flat blade screwdriver
Ratchet
10mm socket
Pliers
4mm allen
5mm allen



PARTS LIST:

Description	Qty.	Part #
A AIR FILTER	1	RU-4730
B HOSE CLAMP #48	1	08601
C BOLT; M6X1X20MM L, A/H CAP, SS	4	07860
D ADAPTOR; #320	1	088007
E WASHER; 6MM WAVE, SS	5	08277
F NUT; 6MM NYLOC, SS	4	07512
G HOSE CLAMP #44, SS	4	08560
H HOSE; 3" TO 3-1/4", STEP, BLACK	1	08429
I INTAKE TUBE	1	27126
J BOLT; M5X1X20MM L, HEX, SS	1	07795
K HOSE; 8MM X 8-1/4"L, BLK	1	08076
L HOSE; 2.75"ID TO 3"ID. ELBOW, BLK	1	084012

NOTE: FAILURE TO FOLLOW INSTALLATION INSTRUCTIONS AND NOT USING THE PROVIDED HARDWARE MAY DAMAGE THE INTAKE TUBE, THROTTLE BODY AND ENGINE.

TO START:

1. Turn off the ignition and disconnect the negative battery cable.
NOTE: Disconnecting the negative battery cable erases pre-programmed electronic memories. Write down all memory settings before disconnecting the negative battery cable. Some radios will require an anti-theft code to be entered after the battery is reconnected. The anti-theft code is typically supplied with your owner's manual. In the event your vehicles' anti-theft code cannot be recovered, contact an authorized dealership to obtain your vehicles anti-theft code.



2. Disconnect the mass air sensor electrical connection as shown.



3. Disconnect the crank case vent hose from the cam cover as shown.



4. Loosen the hose clamps at the throttle body and at the mass air sensor, then, remove the stock intake tube as shown.



5. Unclip the mass air sensor wire harness from the air cleaner as shown.



6. Depress the center pins on the air inlet duct as shown.



7. Loosen and remove the three bolts that secure the air cleaner assembly, then, remove the air cleaner assembly as shown.



8. Loosen and remove the two bolts that secure the air cleaner support bracket, then, remove the air cleaner support bracket as shown.



9. From underneath the vehicle remove the lower valance and loosen the three bolts that secure the air intake resonator to the inner fender, then, remove the air intake resonator from underneath the vehicle as shown.



10. Remove the bolt that secures the wire harness to the engine as shown.

NOTE: K&N Engineering, Inc., recommends that customers do not discard factory air intake.



11. Remove the four nuts that secure the mass air sensor, then, remove the mass air sensor as shown.



12. Using the provided hardware, secure the provided mass air adapter and the wire harness bracket to the stock mass air sensor as shown.

NOTE: Be sure to use the stock mass air sensor gasket.



13. Install the silicone step hose and hose clamps onto the mass air sensor as shown.



14. Install the 90 degree silicone hose onto the throttle body as shown.



15. Install the Typhoon intake tube into the silicone hose as shown.

NOTE: Before installing the intake tube into the silicone hose, inspect the inside of the tube for any debris, then clean the inside out with water and a towel. Inspect the tube one more time before proceeding to the next step.



16. Using the provided hardware secure the tube bracket to the threaded boss from step 8 as shown.



17. Slide the mass air sensor assembly onto the Typhoon intake tube as shown.



18. Install the provided silicone hose onto the vent on the cam cover, then, slide the other end onto the vent on the intake tube as shown.



19. Install the K&N® air filter onto the mass air adapter and secure with the provided hose clamp



20. Reconnect the mass air sensor electrical connection as shown.



21. Re-clip the mass air sensor wire harness to the stock bracket on the mass air sensor as shown.



22. Reconnect the vehicle's negative battery cable. Double check to make sure everything is tight and properly positioned before starting the vehicle.

23. The C.A.R.B. exemption sticker, (attached), must be visible under the hood, so the emissions inspector can see it when the vehicle is required to be tested for emissions. California requires testing every two years, other states may vary.

24. It will be necessary for all K&N® high flow intake systems to be checked periodically for realignment, clearance and tightening of all connections. Failure to follow the above instructions or proper maintenance may void warranty.

ROAD TESTING:

1. Start the engine with the transmission in neutral or park, and the parking brake engaged. Listen for air leaks or odd noises. For air leaks secure hoses and connections. For odd noises, find cause and repair before proceeding. This kit will function identically to the factory system except for being louder and much more responsive.

2. Test drive the vehicle. Listen for odd noises or rattles and fix as necessary.

3. If road test is fine, you can now enjoy the added power and performance from your kit.

4. K&N Engineering, Inc., suggests checking the air filter element periodically for excessive dirt build-up. When the element becomes covered in dirt (or once a year), service it according to the instructions on the Recharger® service kit, part number 99-5050 or 99-5000