



TYPHOON INTAKE SYSTEMS

INSTALLATION INSTRUCTIONS

69-4532TTK

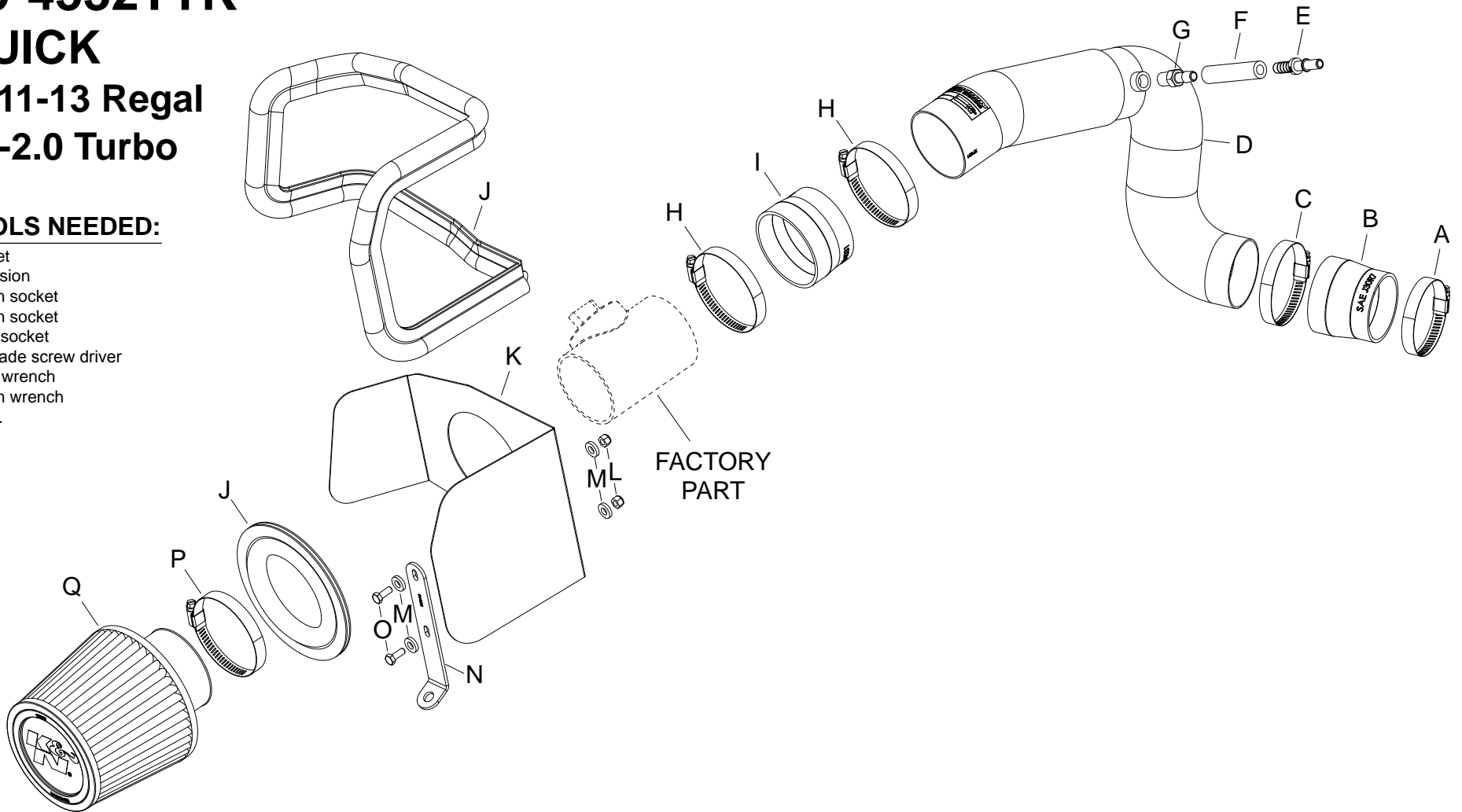
BUICK

2011-13 Regal

L4-2.0 Turbo

TOOLS NEEDED:

- ratchet
- extension
- 15mm socket
- 10mm socket
- 7mm socket
- flat blade screw driver
- 9/16" wrench
- 10mm wrench
- pliers.



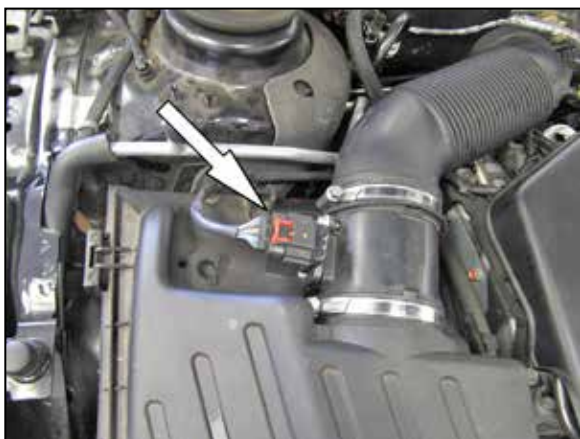
PARTS LIST:

Description	Qty.	Part #	Description	Qty.	Part #	Description	Qty.	Part #
A hose clamp #40	1	08554	G vent; strt, 3/8" hose, 1/4" npt, plas	1	08047	M washer; 1/4" id x 5/8" od - sae	4	08275
B hose; 2-3/4" to 2-1/2" id x 2-1/2" l	1	084016	H hose clamp #48	2	08601	N bracket, "l", 69-4529, stl, tb/pc	1	064322
C hose clamp #44 stainless	1	08560	I hose; 3-1/8" to 3" id x 2" l	1	084031	O bolt; 6mm-1.00 x 16mm, ss	2	07812
D intake tube	1	27631TK	J edge trim (57")	1	102492	P hose clamp #52	1	08610
E vent; strt, 3/8" barb to quick	1	82631	K heat shield	1	073204	Q air filter	1	RU-5176
F hose; 3/8" id x 3" l	1	08462	L nut; 6mm nylock, hexhead	2	07553			

NOTE: FAILURE TO FOLLOW INSTALLATION INSTRUCTIONS AND NOT USING THE PROVIDED HARDWARE MAY DAMAGE THE INTAKE TUBE, THROTTLE BODY AND ENGINE.

TO START:

1. Turn off the ignition and disconnect the negative battery cable.
NOTE: Disconnecting the negative battery cable erases pre-programmed electronic memories. Write down all memory settings before disconnecting the negative battery cable. Some radios will require an anti-theft code to be entered after the battery is reconnected. The anti-theft code is typically supplied with your owner's manual. In the event your vehicles anti-theft code cannot be recovered, contact an authorized dealership to obtain your vehicles anti-theft code.



2. Disconnect the mass air sensor electrical connection.



3. Release locking clip and remove crank case vent line from intake tube.



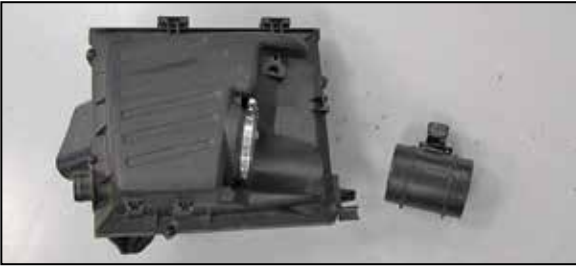
4. Loosen the hose clamp that secures the intake tube to the mass air sensor housing.



5. Loosen the hose clamp that secures the intake tube to the turbo and remove the intake tube.



6. Lift up the air box to dislodge it from the mounting grommets; then remove from vehicle.
NOTE: K&N Engineering, Inc., recommends that customers do not discard factory air intake.



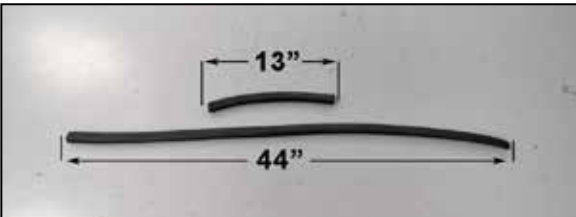
7. Loosen the hose clamp that secures the mass air sensor housing to the air box then remove mass air sensor housing from air box.



8. Install hose (084016) onto turbo inlet. Secure with provided hose clamp.



9. Install heat shield bracket (064322) to heat shield as shown.



10. Cut edge trim to 13" and 44" lengths as shown.



11. Install the 13" length of edge trim into opening of heat shield then the 44" length of edge trim onto heat shield as shown.



12. Insert filter through heat shield opening as shown.



13. Install mass air sensor and housing into filter as shown and secure with the provided hose clamp.
NOTE: The arrow on the mass air housing indicating air flow should point away from filter.



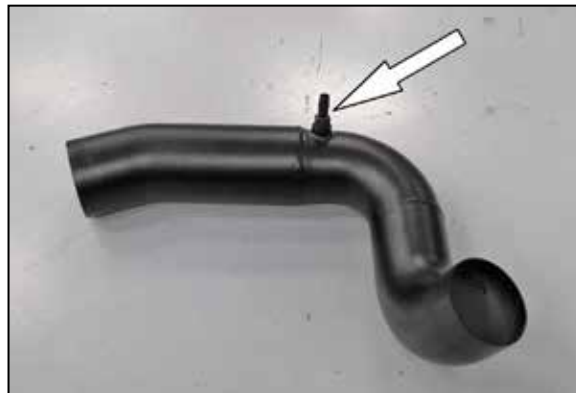
14. Install hose (084031) onto mass air housing and secure with provided hose clamp as shown.



15. Remove forward motor mount bolt shown.
NOTE: Bolt will be reused.



16. Install heat shield assembly and secure it to the motor mount bolt removed in step 15 as shown.



17. Install 3/8 barbed NPT fitting onto intake tube as shown.

NOTE: Plastic NPT fittings are easy to cross thread. Install the vent fitting "hand" tight, then turn it two complete turns with a wrench.



18. Install 3/8 barbed quick connect fitting into provided hose as shown.



19. Install hose assembly onto intake tube as shown.



20. Install the intake tube assembly into the hose on turbo then into hose on mass air housing. Align intake tube with heat shield assembly. Secure with provided hose clamps as shown.



21. Reconnect crankcase vent line as shown.



22. Reconnect the mass air sensor electrical connection.



23. Reconnect the vehicle's negative battery cable. Double check to make sure everything is tight and properly positioned before starting the vehicle.

24. It will be necessary for all K&N® high flow intake systems to be checked periodically for realignment, clearance and tightening of all connections. Failure to follow the above instructions or proper maintenance may void warranty.

ROAD TESTING:

1. Start the engine with the transmission in neutral or park, and the parking brake engaged. Listen for air leaks or odd noises. For air leaks secure hoses and connections. For odd noises, find cause and repair before proceeding. This kit will function identically to the factory system except for being louder and much more responsive.

2. Test drive the vehicle. Listen for odd noises or rattles and fix as necessary.

3. If road test is fine, you can now enjoy the added power and performance from your kit.

4. K&N Engineering, Inc., requires cleaning the intake system's air filter element every 100,000 miles. When used in dusty or off-road environments, our filters will require cleaning more often. We recommend that you visually inspect your filter once every 25,000 miles to determine if the screen is still visible. When the screen is no longer visible some place on the filter element, it is time to clean it. To clean and re-oil, purchase our filter Recharger® service kit, part number 99-5050 or 99-5000 and follow the easy instructions.