



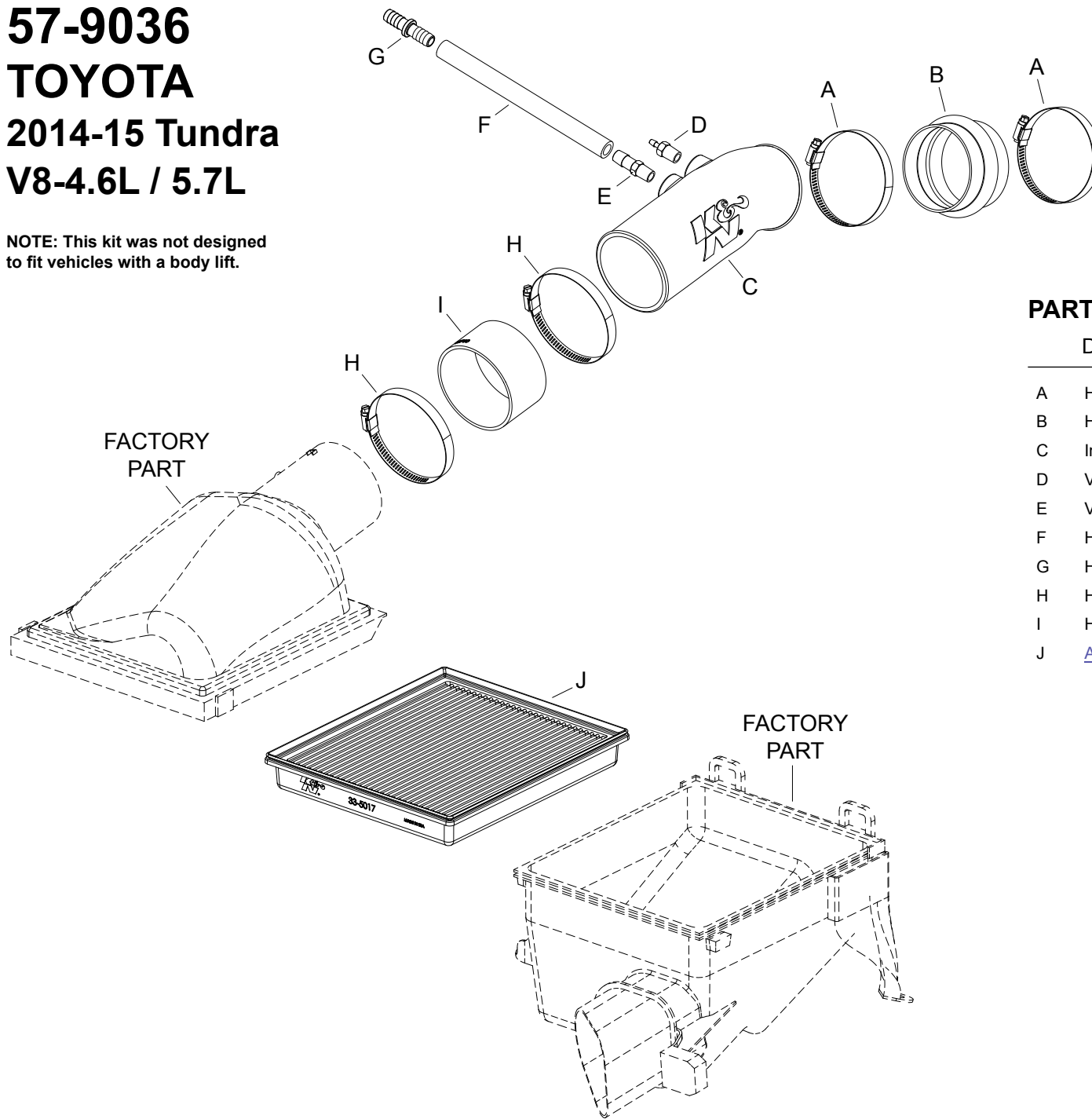
INSTALLATION INSTRUCTIONS

57-9036
TOYOTA
2014-15 Tundra
V8-4.6L / 5.7L

NOTE: This kit was not designed to fit vehicles with a body lift.

TOOLS NEEDED:

Ratchet
Extension
10mm socket
flat blade screw driver
14mm wrench



PARTS LIST:

Description	Qty.	Part #
A Hose Clamp #56	2	08620
B Hose; 3 1/2" ID X 2-1/2" L Hump	1	08699
C Intake Tube	1	087279
D Vent; STRT, 3/16 Barbed 1/4"	1	080021
E Vent; STRT 1/2" Hose, 1/4" NPT	1	080022
F Hose; 1/2" ID X 9"L	1	08401
G Hose Mender, 1/2	1	08686
H Hose Clamp #60 Stainless	2	08628
I Hose; 3-3/4" ID X 2 1/4"L	1	08760
J Air Filter	1	33-5017

NOTE: FAILURE TO FOLLOW INSTALLATION INSTRUCTIONS AND NOT USING THE PROVIDED HARDWARE MAY DAMAGE THE INTAKE TUBE, THROTTLE BODY AND ENGINE.

TO START:

1. Turn off the ignition and disconnect the negative battery cable.

NOTE: Disconnecting the negative battery cable erases pre-programmed electronic memories. Write down all memory settings before disconnecting the negative battery cable. Some radios will require an anti-theft code to be entered after the battery is reconnected. The anti-theft code is typically supplied with your owner's manual. In the event your vehicles anti-theft code cannot be recovered, contact an authorized dealership to obtain your vehicles anti-theft code.



2. Lift up and remove the decorative engine cover.



3. Release the spring clamp securing the crank case vent hose and then disconnect the crank case vent hose and the fuel pressure regulator vent hose from the factory intake tube.



4. Loosen the two hose clamps securing the factory intake tube to the throttle body and air filter housing and then remove the factory intake tube.
NOTE: K&N Engineering, Inc., recommends that customers do not discard factory air intake.



5. Release the two clips securing the factory air box lid and then remove the factory air filter. Install the provided K&N® air filter into the air box, set the air box lid into position but do not secure at this time.



6. Install the two provided vent fittings into the K&N® intake tube as shown.
NOTE: Plastic NPT fittings are easy to cross thread. Install the vent fitting "hand" tight, then turn it two complete turns with a wrench.



7. Install the provided coupling hose (08699) onto the throttle body and secure with the provided hose clamps as shown.



8. Install the provided coupling hose (08760) onto the air box lid as shown and secure with the provided hose clamps.



9. Install the K&N® intake tube assembly into the coupling hoses, secure the air box lid with the factory retaining clips and then secure the tube with the provided hose clamps.



10. Install the provided hose mender into the provided crank case vent hose as shown.



11. Install the crank case vent hose assembly into the factory crank case vent hose and then connect the open end to the fitting installed into the K&N® intake tube. Connect the factory fuel pressure regulator vent hose into the fitting installed into the K&N® intake tube.



12. Reinstall the decorative engine cover.



13. Reconnect the vehicle's negative battery cable. Double check to make sure everything is tight and properly positioned before starting the vehicle.

14. The C.A.R.B. exemption sticker, (attached), must be visible under the hood so that an emissions inspector can see it when the vehicle is required to be tested for emissions. California requires testing every two years, other states may vary.

15. It will be necessary for all K&N® high flow intake systems to be checked periodically for realignment, clearance and tightening of all connections. Failure to follow the above instructions or proper maintenance may void warranty.

ROAD TESTING:

1. Start the engine with the transmission in neutral or park, and the parking brake engaged. Listen for air leaks or odd noises. For air leaks secure hoses and connections. For odd noises, find cause and repair before proceeding. This kit will function identically to the factory system except for being louder and much more responsive.

2. Test drive the vehicle. Listen for odd noises or rattles and fix as necessary.

3. If road test is fine, you can now enjoy the added power and performance from your kit.

4. K&N Engineering, Inc., requires cleaning the intake system's air filter element every 100,000 miles. When used in dusty or off-road environments, our filters will require cleaning more often. We recommend that you visually inspect your filter once every 25,000 miles to determine if the screen is still visible. When the screen is no longer visible some place on the filter element, it is time to clean it. To clean and re-oil, purchase our filter Recharger® service kit, part number 99-5050 or 99-5000 and follow the easy instructions.