



# INSTALLATION INSTRUCTIONS

Part Number 33-2054

This filter fits: **See current K&N catalog for complete listing**

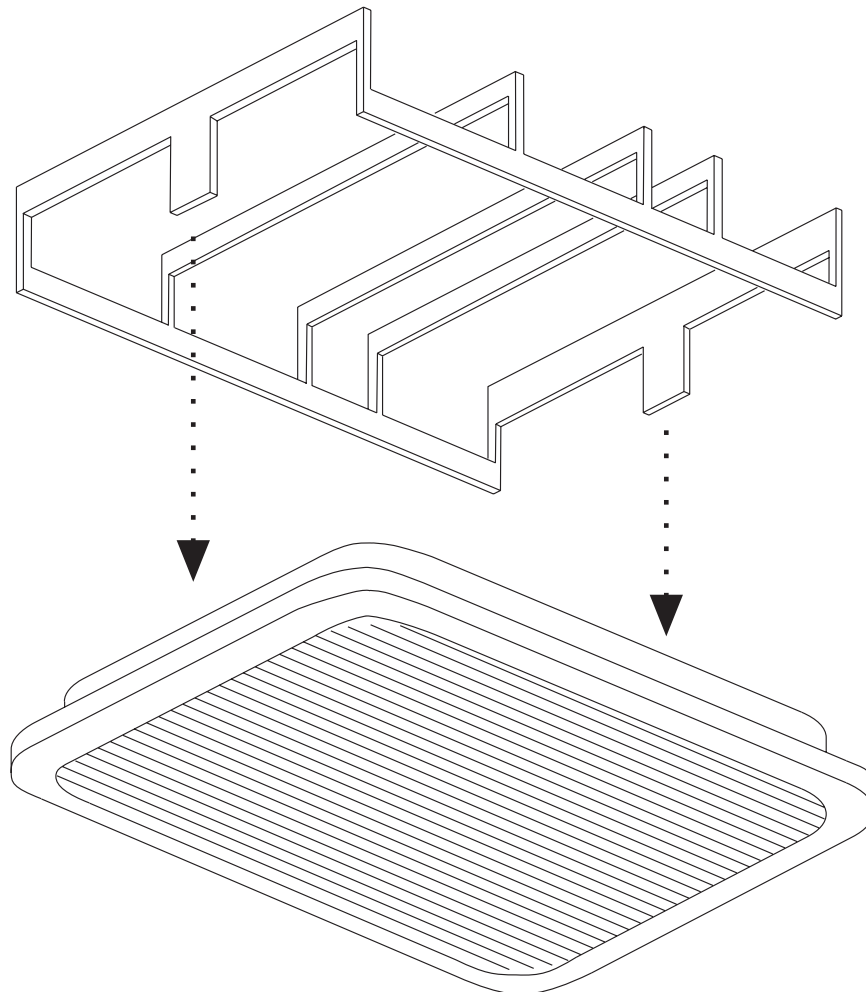
**Congratulations, you have purchased the finest air filter that money can buy. With proper care, this filter will last 1 million miles or more. This filter is a direct replacement for the stock air filter, and no modifications will be required. However the following procedure MUST be followed to ensure a proper fit and seal of the K&N Air Filter.**

## Installation

- 1) Remove the stock airfilter.
- 2) Position the plastic cage onto the filter element as shown below.
- 3) Slide the K&N Air Filter/cage assembly into the airbox. Make sure that it is properly seated on the sealing surface.
- 4) Close the access door of the airbox.
- 5) To remove the filter assembly, gently pull on the filter material until the assembly is free to slide out.

**CAUTION** - Use only gentle finger pressure to remove the filter. Do not use any tools or the filter material might be damaged.

**These instructions must be followed every time the filter is serviced, otherwise the filter may not seal, and damage to the engine could result.**



Learn more about performance air intake systems we have.