



# INSTALLATION INSTRUCTIONS

Part Number 33-2046

This filter fits: **See current K&N catalog for complete listing**

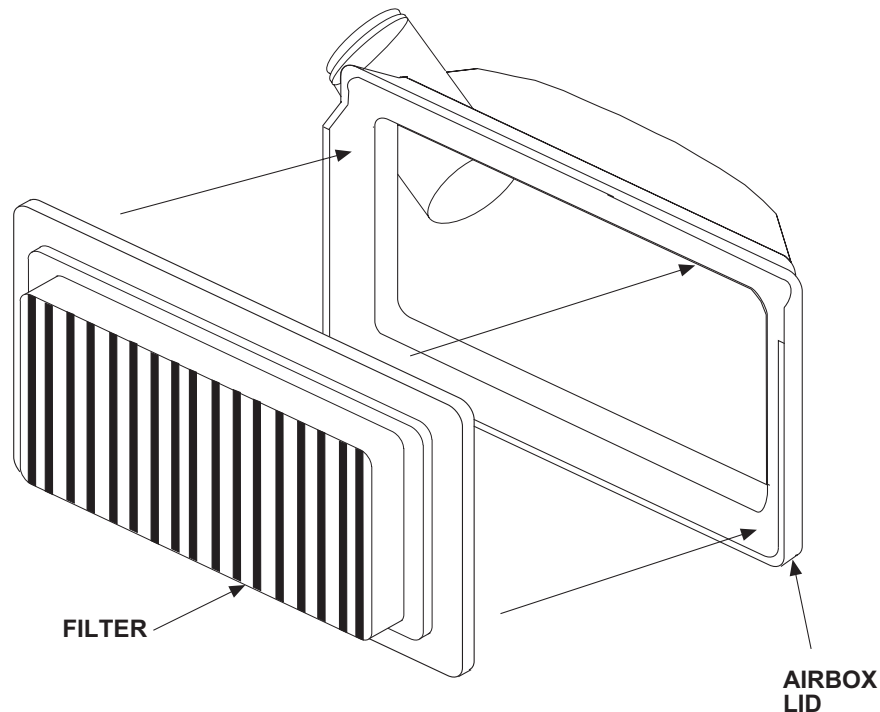
Congratulations, you have purchased the finest air filter that money can buy. With proper care, this filter will last 1 million miles or more. This filter is a direct replacement for the stock air filter, and no modifications will be required. However the following procedure **MUST** be followed to ensure a proper fit and seal of the K&N Air Filter.

We recommend completely removing the lid from the airbox to facilitate proper installation. Your K&N Air Filter fits snugly and therefore should be installed in the lid first.

## INSTALLATION

1. Disconnect all hoses and release all clips, then completely remove the lid from the vehicle.
2. Install the K&N Air Filter in the lid. Refer to illustration below.
3. Position the lid and filter squarely over the airbox and secure it with the spring clips.

**THESE INSTRUCTIONS MUST BE FOLLOWED EVERY TIME THE FILTER IS SERVICED, OTHERWISE THE FILTER MAY NOT SEAL, AND DAMAGE TO THE ENGINE COULD RESULT.**



Learn more about performance air intake systems we have.