

KICKER® KEY200.4™ 4-Channel Amplifier

Quick-Start Guide



Dear Music Enthusiast,

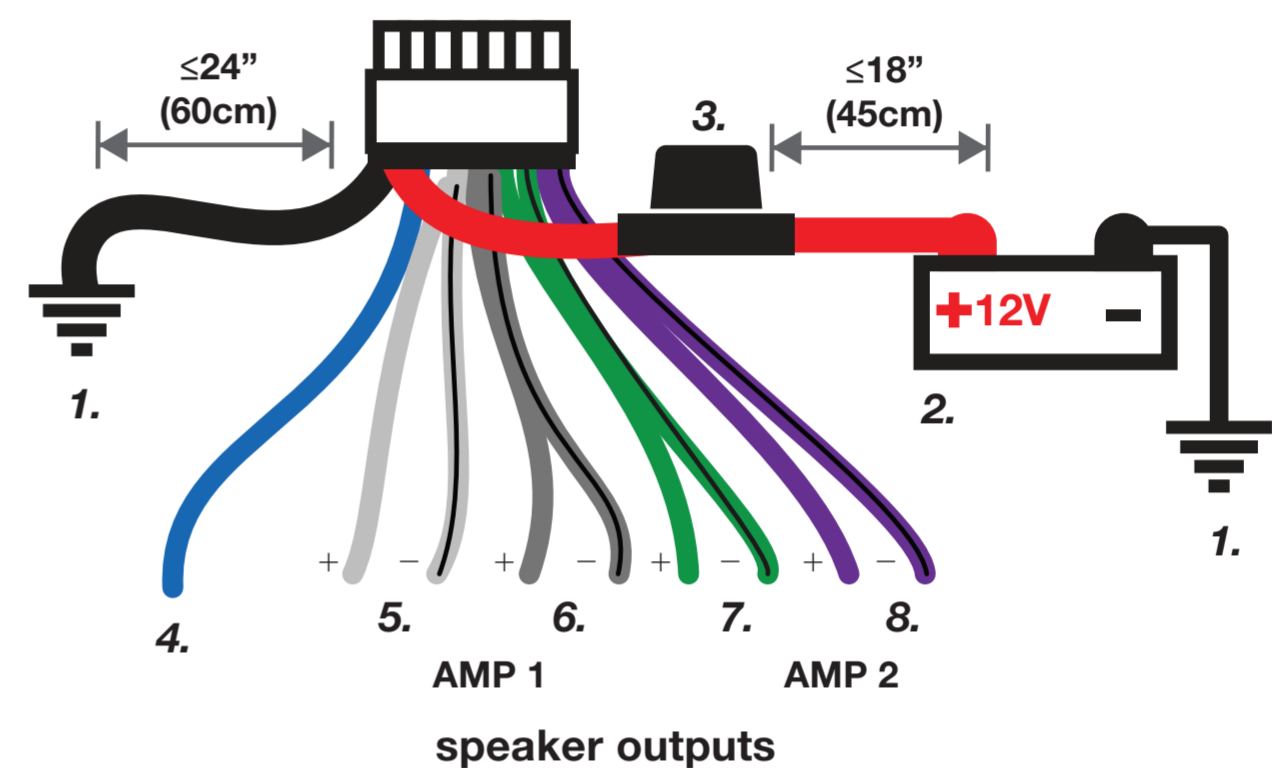
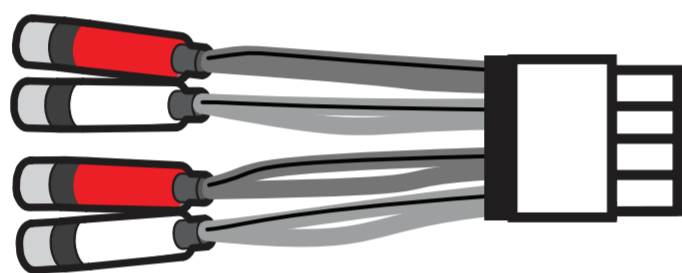
Thank you and congratulations on your purchase of the Kicker KEY200.4 smart audio amplifier! The KEY-Series amplifier combines our time proven audio designs with state-of-the-art patented digital technology, to provide the best audio performance in a vehicle. The KEY amplifier uses digital circuitry for gain-matching, frequency crossover control, AutoEQ, Compression, Limiter, Time Delay and more, that automatically tunes your system to audiophile performance in your vehicle. It's the best of all worlds, packed into a tiny powerhouse amp that delivers our signature Kicker Performance for your musical enjoyment.

Sincerely
Steve Irby
President/CEO

1. ground
2. battery
3. fuse
4. remote turn-on
5. left front
6. right front
7. left rear
8. right rear

Wiring

If needed, cut off the RCA connections to use hi-level input.



IMPORTANT: KICKER recommends a professional installation performed by licensed providers. You are solely responsible for safely mounting and wiring your products.

KEY Auto Setup: Disconnect any speakers or subwoofers not connected to the KEY amplifier, factory or aftermarket.

Make sure active noise cancellation and active noise enhancement are disabled beforehand. You will need to load a source for pink noise from your head unit, whether CD, MP3, AUX, Bluetooth, USB etc. Uncompressed audio is recommended for best results, as this will ensure full amplitude across the frequency spectrum (20Hz–20kHz).

1. Set the KEY amplifier gains (AMP-1 and AMP-2) to the minimum (fully counter-clockwise).
2. Close the car windows, turn off the engine, turn off the HVAC. Install the microphone to the top of the driver's side headrest. Make sure the microphone faces up, pointing as straight as possible to the roof.
3. In most cases, the Bi-Amp switch should be OFF.
4. Start the Pink Noise. Set the Pink Noise volume to a level above conversational (slightly loud) using your audio source volume control (usually head-unit).
5. Begin the Auto Setup by quick-pressing the KEY Activation Button. Once initialized, you will hear repeating tones (beeps), which indicate that you must exit the vehicle and close the door. You will have 10 seconds until the process begins. Beeps and noises during the KEY Auto Setup process can be loud. For your safety, please do not remain inside the vehicle!
6. Once the Auto Setup has completed, you will hear happy music for a successful setup. You may quick-press the KEY Activation Button to toggle between the original, non-optimized audio or re-apply the KEY optimized audio. Dial in the GAIN settings and you're done!
7. If the Auto Setup fails, you will hear sad music and a series of error beeps for a failed setup. At this point refer to the owner's manual for troubleshooting tips to determine what may have caused the error.

KEY Activation Button



mic facing up

headrest

