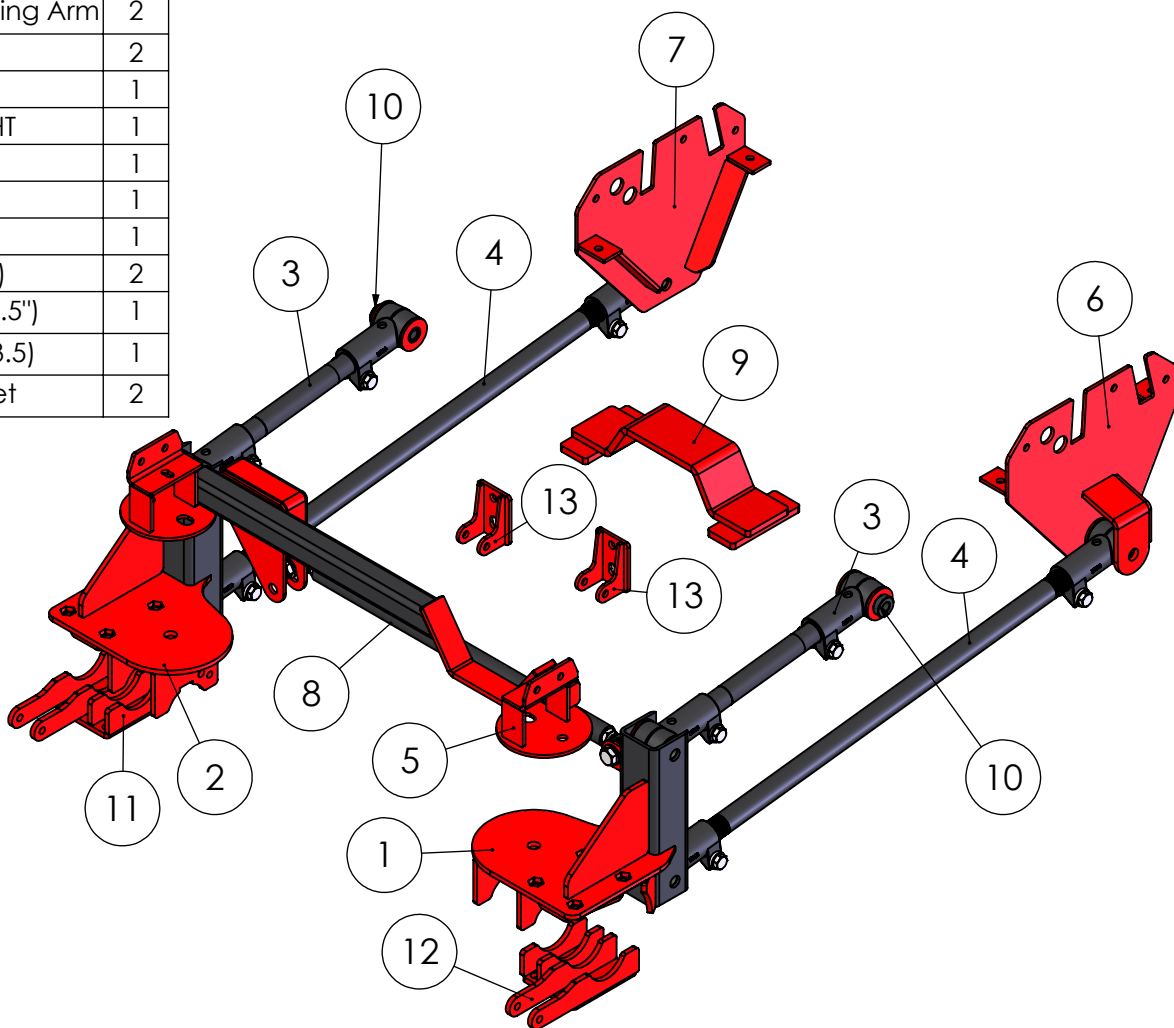
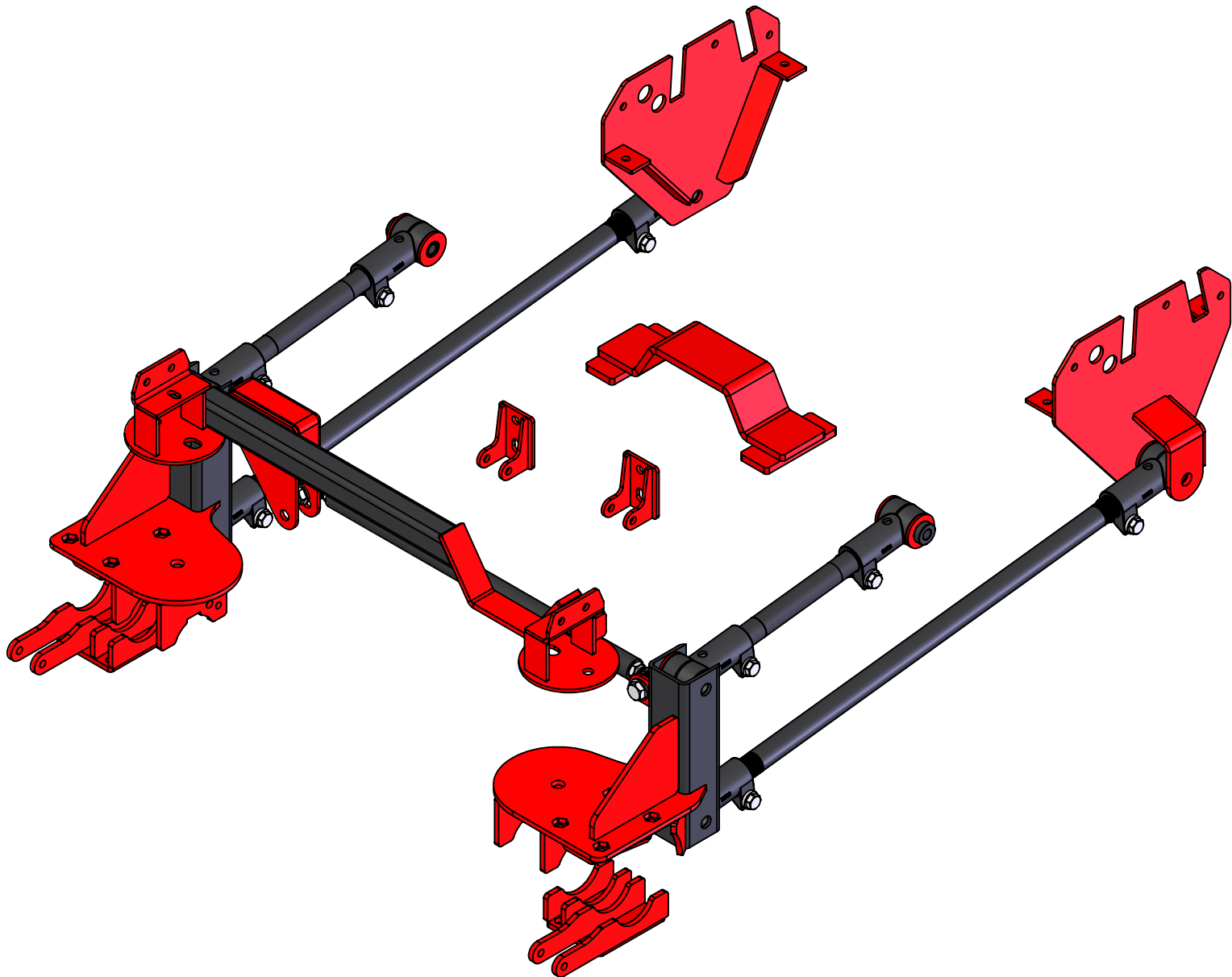


ITEM NO.	PART NUMBER	DESCRIPTION	QTY.
1	14629	(PS) Lower Bag Mount / (PHB) Mount	1
2	14630	(DS) Lower Bag Mount (3.5" Axle)	1
3	10016	Upper Control Arm Stock (22") / Trailing Arm	2
4	10515	TRAILING ARM - 39.00	2
5	11684	CROSSMEMBER - REAR	1
6	10859	MOUNT - PERCH MOUNT RIGHT	1
7	10860	MOUNT - PERCH LEFT	1
8	11806	PAN HARD REAR - 27.50"	1
9	10882	FRAME -	1
10	10211	TUBE - SHAFT SPACER (18mm)	2
11	10621	Axle Clamp w/ Shock Mount (3.5")	1
12	10619	Axle Clamp w/ Shock Mount (3.5)	1
13	19042	(FOX) Shock Mounting Bracket	2



UNLESS OTHERWISE SPECIFIED: DIMENSIONS ARE IN INCHES TOLERANCES: FRACTIONAL: $\pm 1/32"$ ANGULAR: MACH $\pm 1$ BEND $\pm 1$ TWO PLACE DECIMAL $\pm .030$ THREE PLACE DECIMAL $\pm .010$	<b>Design By:</b>	Zach Beltz 2014	<b>Project:</b> Ford Excursion 4x4 5-6" Lift (Rear)
	<b>Shelf # / Qty</b>		
	<b>Inventory</b>		<b>Description:</b> 4-Link Rear
	<b>Run Qty:</b>		
<b>MATERIAL</b>	<b>PROPRIETARY AND CONFIDENTIAL</b>		<b>SIZE</b> DWG. NO.
<b>FINISH</b>	THE INFORMATION CONTAINED IN THIS DRAWING IS THE SOLE PROPERTY OF KELDERMAN MFG. INC. ANY REPRODUCTION IN PART OR AS A WHOLE WITHOUT THE WRITTEN PERMISSION OF KELDERMAN MFG. INC. IS PROHIBITED.		<b>A</b> 10857
<b>WEIGHT</b> 255.1229			SCALE: 1:20 DO NOT SCALE DRAWING SHEET 1 OF 2





Discover other performance suspension parts on our website.