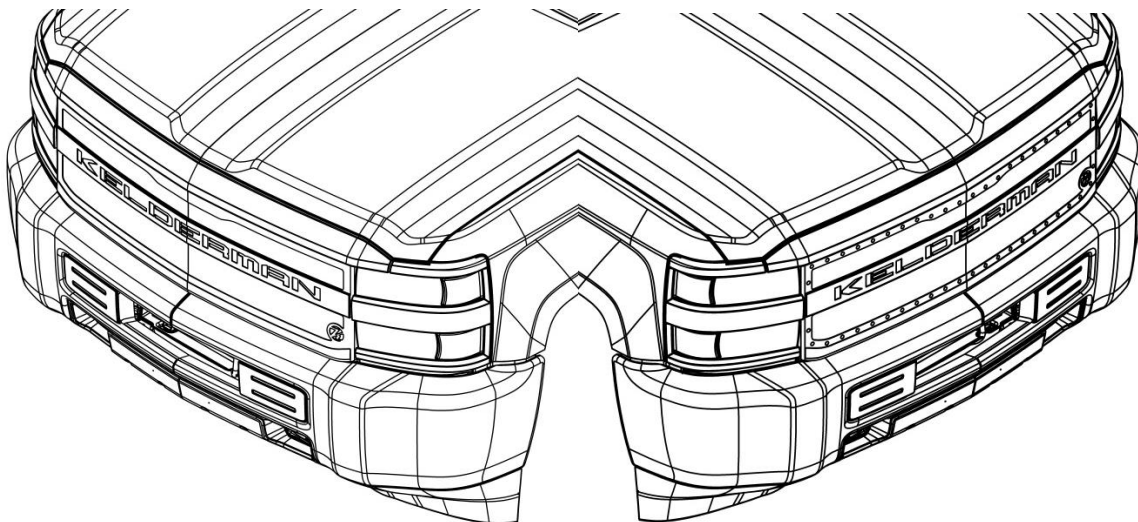




Alpha Series Grille Installation Manual

- 2015 Chevrolet Silverado 2500-3500 HD

Kelderman Alpha Series Grille



Smooth Rivet

- Contents

- Kit Numbers..... (3)
- Introduction..... (3)
- Safety..... (4)
- Grille Removal..... (5)
- Grille Assembly..... (7)
- Grille Installation..... (10)
- Parts Key..... (11)
- Contact Information..... (12)

Kit Numbers

- This installation manual covers the following grilles.

Kit Number	Description
KLM-500002015-008010000	Silverado 2500 HD – Alpha Smooth – Kelderman Blade
KLM-500003015-008010000	Silverado 3500 HD – Alpha Smooth – Kelderman Blade
KLM-500002015-009010000	Silverado 2500 HD – Alpha Rivet – Kelderman Blade
KLM-500003015-009010000	Silverado 3500 HD – Alpha Rivet – Kelderman Blade

Introduction

- **Important**

It is important that the entire installation instructions be read thoroughly before proceeding with grille installation.

- **Product Installer Responsibilities**

Installer is responsible for installing this product in accordance with Kelderman Mfg. Inc. specifications and installation instructions.

Installer is responsible for providing proper installation of vehicle components and attachments as well as required or necessary clearance for suspension components, axles, wheels, tires, and other vehicle components to ensure a safe and sound installation and operation of this product.

- **Product Owner Responsibilities**

Owner is solely responsible for pre-operation inspection, periodic inspections, maintenance, and use of the product as specified by Kelderman Mfg. Inc.

- **Definition of Terms**

- **Warning:** Indicates a potentially hazardous situation which, if not avoided, could result in death or serious injury.
- **Caution:** A potential hazardous situation may result in property damage.
- **Note:** Provide information or suggestions that help correctly perform a task.

Safety

- **Your Safety and the Safety of Others is Very Important.**
Read and understand all safety precautions and instructions before installing this product.

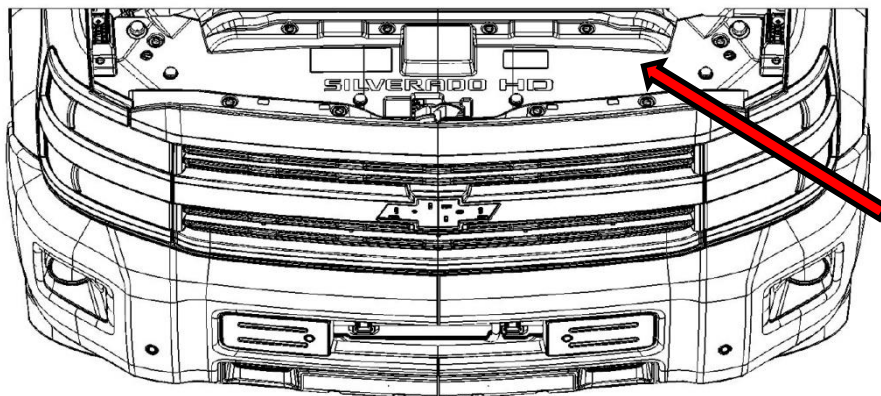
- **CAUTION: Trucks Equipped with Parking Sensors or Other Like Devices.**
Relocation of these devices will alter the field of view. It is the responsibility of the owner to understand how these changes affect the operation of these systems.

- **This Product is Intended for Off-Road Use**
All liability for installation and use rests with the owner.

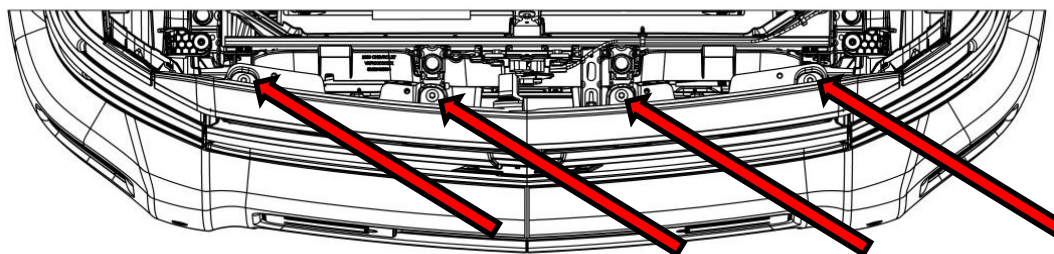
- **WARNING: Careless Installation Can Result in Serious Injury or Property Damage**
 - Wear eye protection.
 - Disconnect the battery before doing any work on the vehicle.
 - Work on flat level ground.
 - Ensure truck is properly supported by jack stands. Never work under a vehicle supported only by hydraulic jacks.
 - Never work directly under the product until it has been securely fastened to the vehicle.
 - Avoid sharp, hot, and moving components when routing electrical cables.
 - If drilling inspect both sides of the surface and remove/relocate any objects located in the way.
 - Ensure all bolts are properly tightened before driving.

Grille Removal

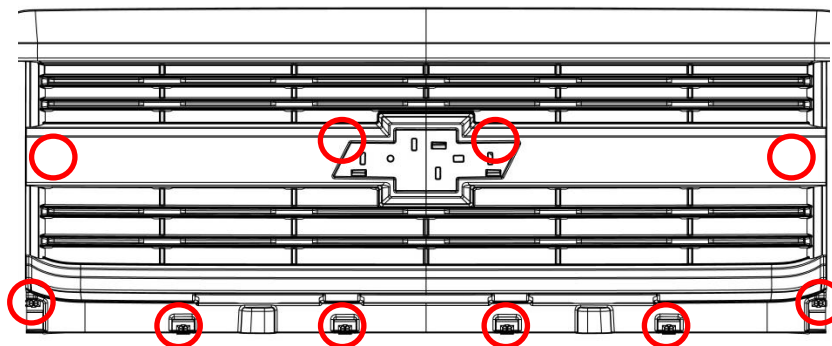
- 1: Disconnect the wiring to any lights, sensors, or other accessories mounted to the stock grille.
- 2: To access the grille first remove the black plastic panel in front of the radiator.



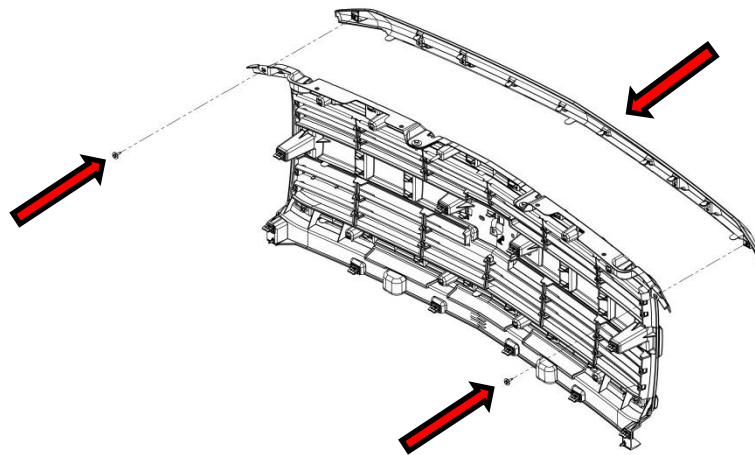
- 3: Remove the four screws that run across the top of the grille, these will be re-used during install.



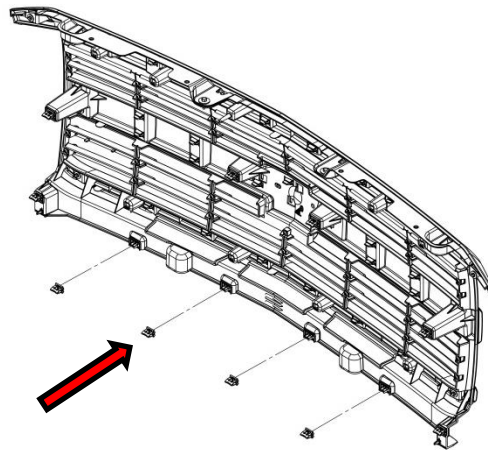
- 4: The rest of the grille is held in with clips. Carefully pull outward at each of the ten clip locations until it releases. The grille can now be removed.



- 5:** Remove the top trim piece from the grille. There are two screws that need to be removed and eight tabs to unclip before the trim will come free of the grille frame. The trim piece and the two screws will be reused during assembly.



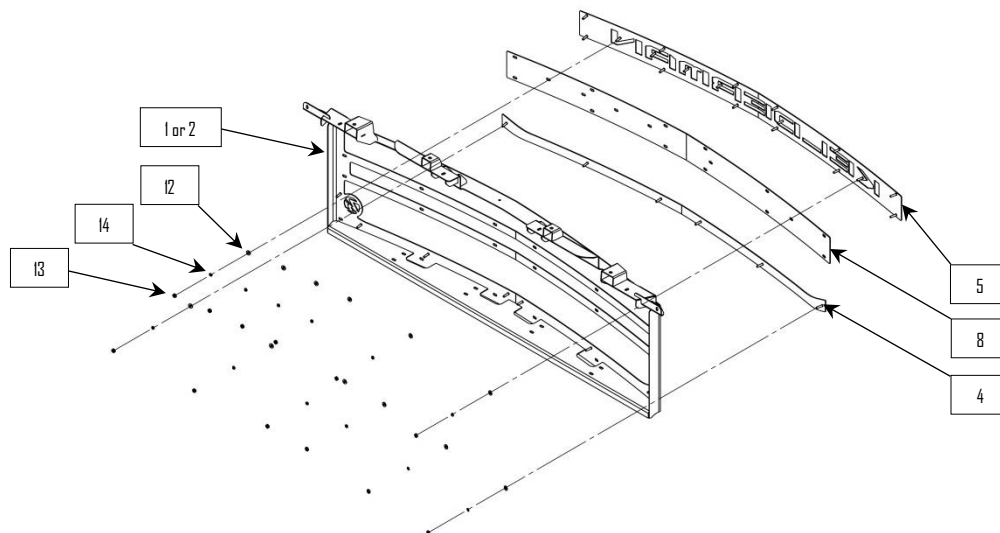
- 6:** Remove four of the metal clips from the bottom of the grille frame; these will be reused during install.



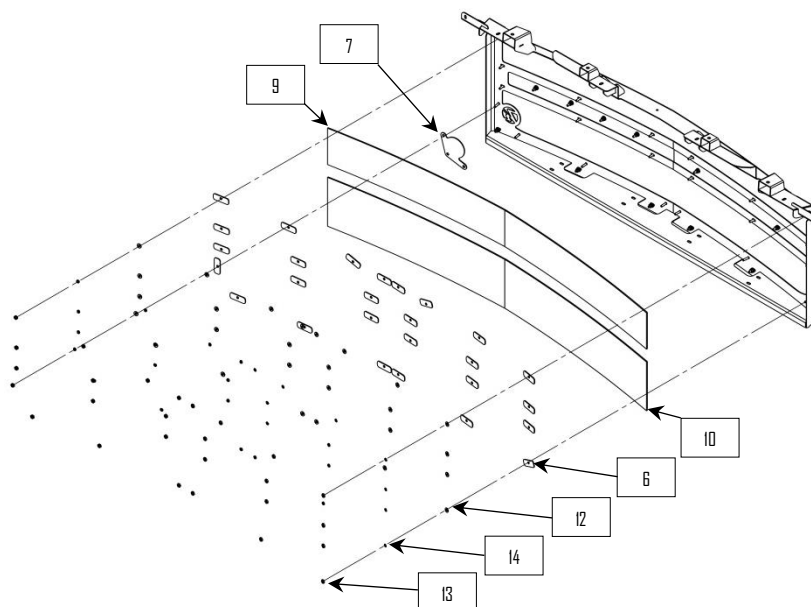
- 7:** Remove any metal clips that may have remained clipped into the truck.

Grille Assembly

- Bolt the blade (5) blade backing plate (8) and lower trim (4) to the grille frame (1 or 2) using the #10 hardware (12, 13, & 14).

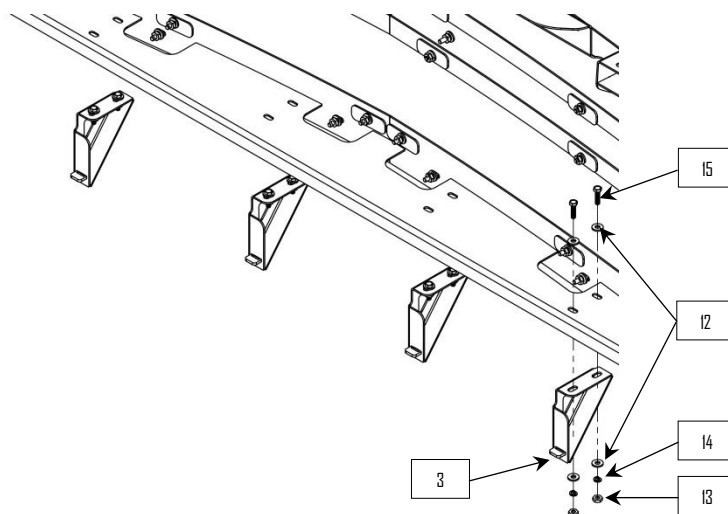


- Place the logo backing plate (7) behind the “K”. The shorter screen (9) mounts in the top opening. The taller screen (10) mounts in the lower opening. Place a mesh strap (6) onto each stud and position it so it cannot be seen when looking at the front of the grille. Use #10 hardware (12, 13, & 14) to fasten the screens.

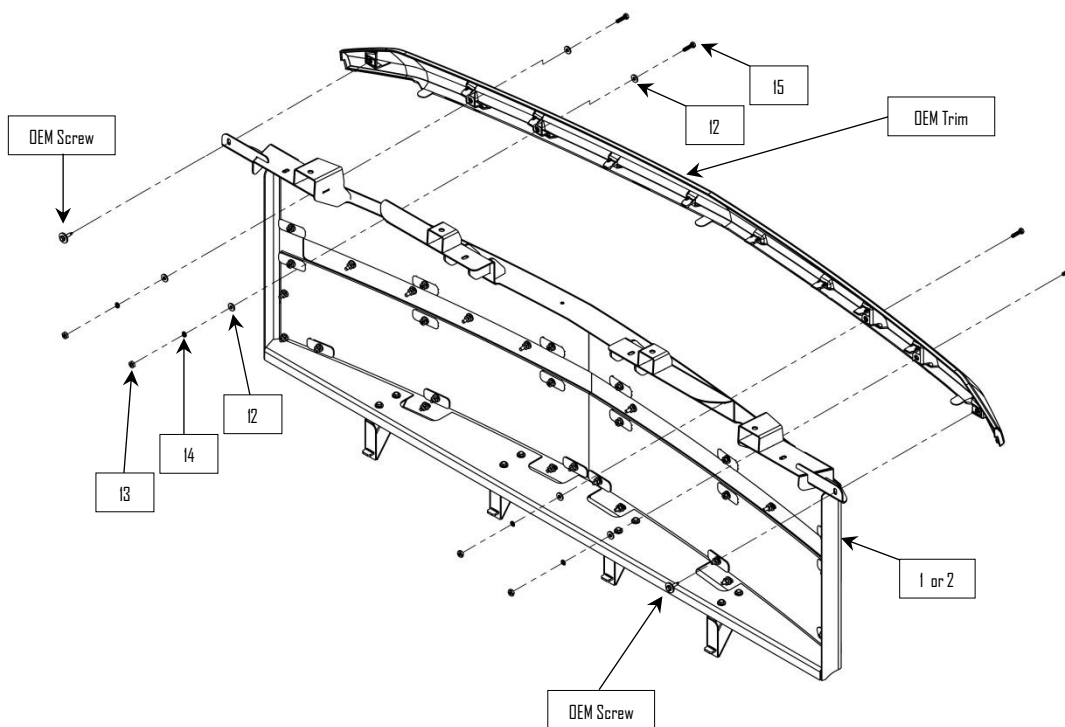


- Rivet grilles, use carriage bolts (11) to bolt thru the grille face and fasten the screens. NOTE: Every other carriage bolt will receive a mesh strap (6).

- Use #10 hardware (12, 13, 14, and 15) to fasten lower tab brackets (3) to the grille frame. **NOTE:** Lower tab brackets may need to be adjusted during install to ensure proper fit.

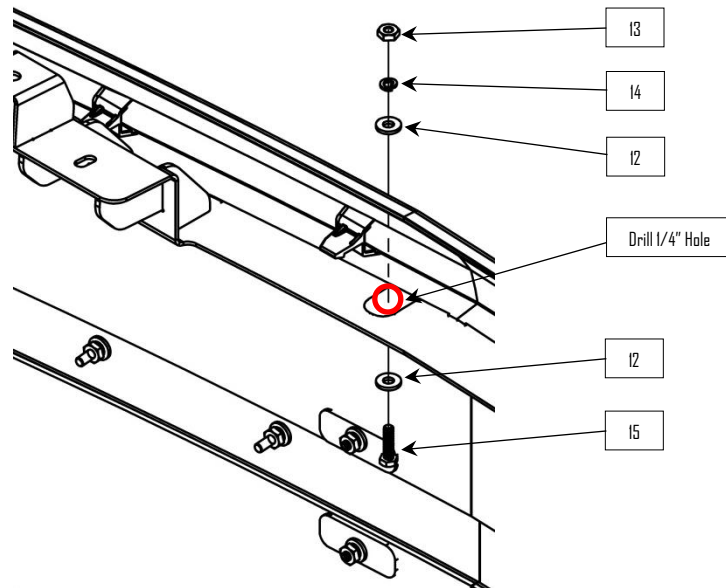


- Attach the OEM top trim piece that was removed in *step 5* to the top of the assembled grille frame (1 or 2). The two screws removed in *step 5* are used to re-attach the trim at the factory locations.

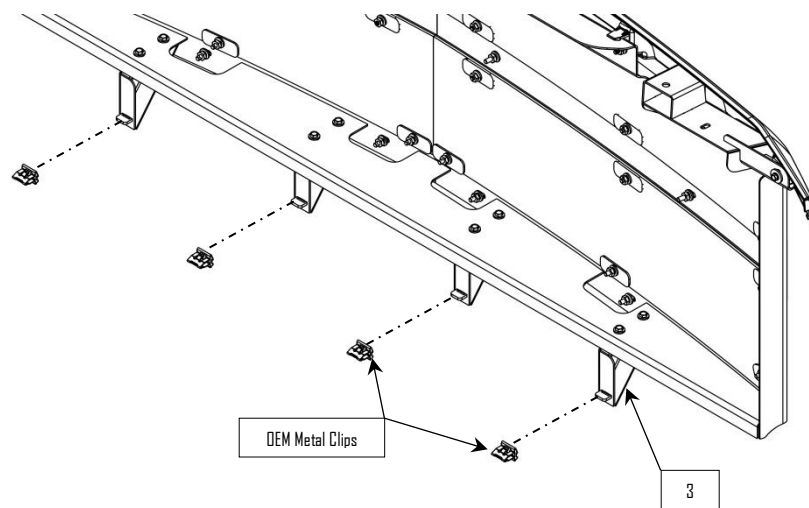


- Use #10 hardware (12, 13, 14, and 15) to fasten thru the four remaining mounting locations on the OEM trim.

- Using the assembled grille frame (1 or 2) as a guide mark and drill a ¼" hole into the plastic tab that extends from the center of the OEM trim.



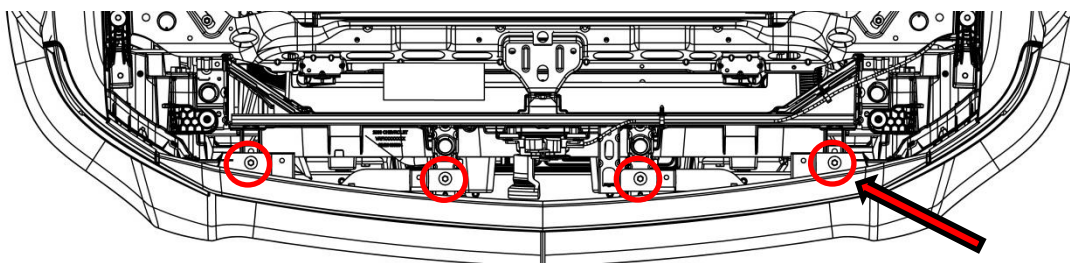
- Use #10 hardware (12, 13, 14, and 15) to fasten the tab to the assembled grille frame (1 or 2).



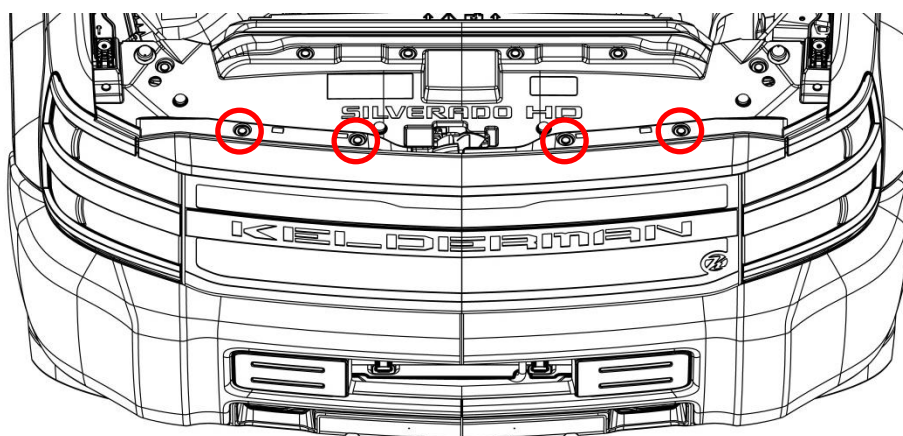
- Push the four metal clips removed in step 6 onto each of the lower tab brackets (3).
NOTE: The ears on the metal clips may need to be bent to catch in the slot on each of the tab brackets (3). When properly installed the clips should not be able to move.

Grille Installation

- 8:** Set the assembled grille into place and check that you are happy with the positioning of the lower tab brackets (3). Snap the four clips back into their factory locations.
- 9:** Use the four screws removed in *step 3* to bolt the assembled grille back into the factory location.



- 10:** Carefully close the hood and check the alignment, adjust the grille where required.
- 11:** Re-install the black plastic panel removed in *step 2*. The OEM fasteners will push into the new grille.



Parts Key

Item Number	Part Number	Description
1	10003726	Alpha Grille Rivet Frame
2	10003766	Alpha Grille Smooth Frame
3	10003736	Lower Tab Bracket
4	10003739	Lower Trim
5	10003741	"Kelderman" Alpha Blade
6	33026	Mesh Strap
7	10003743	Logo Backing Plate
8	10003744	"Kelderman" Blade Backing Plate
9	10003748	Alpha Grille Upper Mesh
10	10003749	Alpha Grille Lower Mesh
11	13817	Carriage Bolt: #10-24 x 3/4"
12	14062	Flat Washer: #10
13	14070	Nut: #10-24
14	14086	Lock Washer: #10
15	14096	Machine Screw: #10-24 x 3/4"