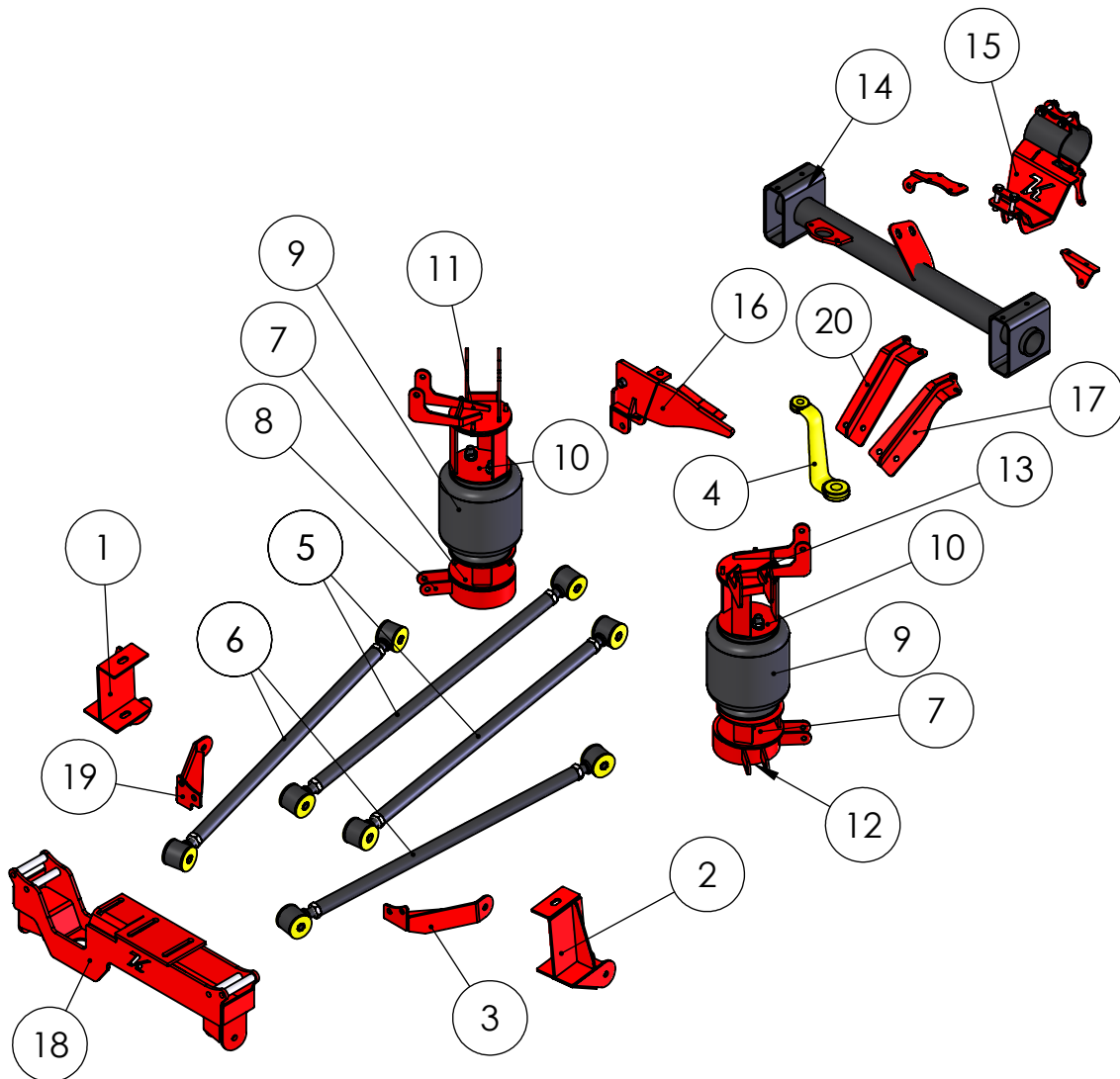


ITEM NO.	PART NUMBER	DESCRIPTION	QTY.
1	10526	(DS) Perch Mount	1
2	10527	(PS) Perch Mount	1
3	11198	MOUNT - PERCH SUPPORT RIGHT	1
4	10552	ARM - PITMAN 9"	1
5	11335	TRAILING ARM - 34.38	2
6	11336	TRAILING ARM - 33.38	2
7	15266	3" BAG RISER	2
8	11389	LEFT SIDE LOWER DUAL SHOCK MOUNT	1
9	10580	BAG KIT - 8979	2
10	10318	6" BAG RISER	2
11	11685	MOUNT -FRONT DUAL SHOCK (DS)	1
12	10578	RIGHT SIDE LOWER DUAL SHOCK MOUNT	1
13	11686	MOUNT -FRONT SHOCK TOP(DS)	1
14	30260	STEERING STABILIZER TUBE	1
15	20223	Steer Stab.	1
16	18067	Drop Bracket (G4)	1
17	30549	Steering Box Stabilizer	1
18	50834	Transmission Crossmember	1
19	11199	MOUNT - PERCH SUPPORT LEFT	1
20	18148	Steering Stabilizer Stiffener	1



UNLESS OTHERWISE SPECIFIED: DIMENSIONS ARE IN INCHES TOLERANCES: FRACTIONAL ± 1/32" ANGULAR: MACH ± 1 BEND ± 1 TWO PLACE DECIMAL ±.030 THREE PLACE DECIMAL ±.010	Design By:	Zach Beltz 2014	Project:	2010- 2013 Dodge G4 8-10" Lift (Front)	
	Shelf # / Qty			Description:	Kit
	Inventory		SIZE		DWG. NO.
	MATERIAL	Run Qty:		<b>A</b>	D2F4-23-X-10
FINISH	PROPRIETARY AND CONFIDENTIAL THE INFORMATION CONTAINED IN THIS DRAWING IS THE SOLE PROPERTY OF KELDERMAN MFG. INC. ANY REPRODUCTION IN PART OR AS A WHOLE WITHOUT THE WRITTEN PERMISSION OF KELDERMAN MFG. INC. IS PROHIBITED.		SCALE: 1:50	DO NOT SCALE DRAWING	SHEET 1 OF 1
WEIGHT	330.69				