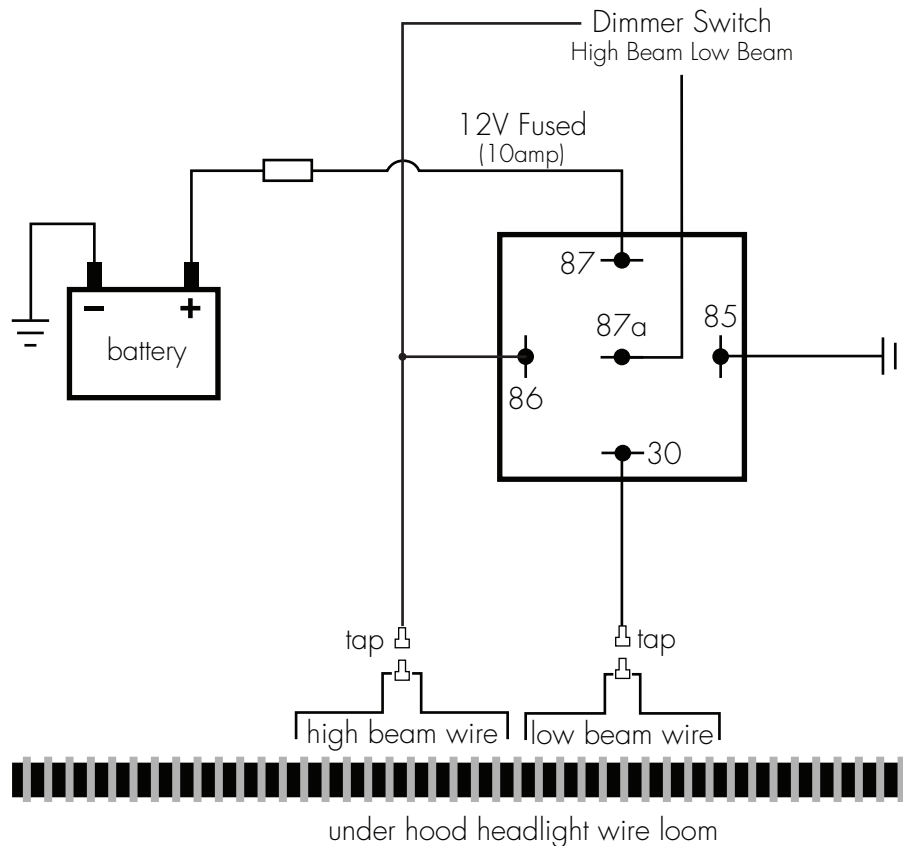


## HIGHBEAM HEADLIGHT RELAY

### KICHARNH1 using KICRAS12

1. Locate the wire loom that contains the wires going to the headlights.
  2. Mount the relay base close to the headlight harness on the driver's side inner fender well.
- NOTE:** The black wire should be attached to the screw that holds the relay base to the vehicle. This wire must make a good ground.
3. Route the yellow wire to the large battery lug on the back of the alternator or the "+" battery post and attach.
  4. Take the T-taps and with a pair of pliers, squeeze one onto the blue high beam wire and one onto the red low beam wire in the loom going to the headlights.

5. Take the blue wire and the red wire coming out of the relay base, cut to length and crimp one male push-on terminal to each wire. The terminals will then plug into the T-taps installed in the previous step. Be sure colors match.
6. Securely mount the fuse holder to the fender with the supplied screw.
7. Install the relay onto the relay base.
8. Test the relay by turning on the headlights and cycling from high to low beam.



87 - yellow  
 85 - white  
 86 - black  
 30 - blue  
 87a - red