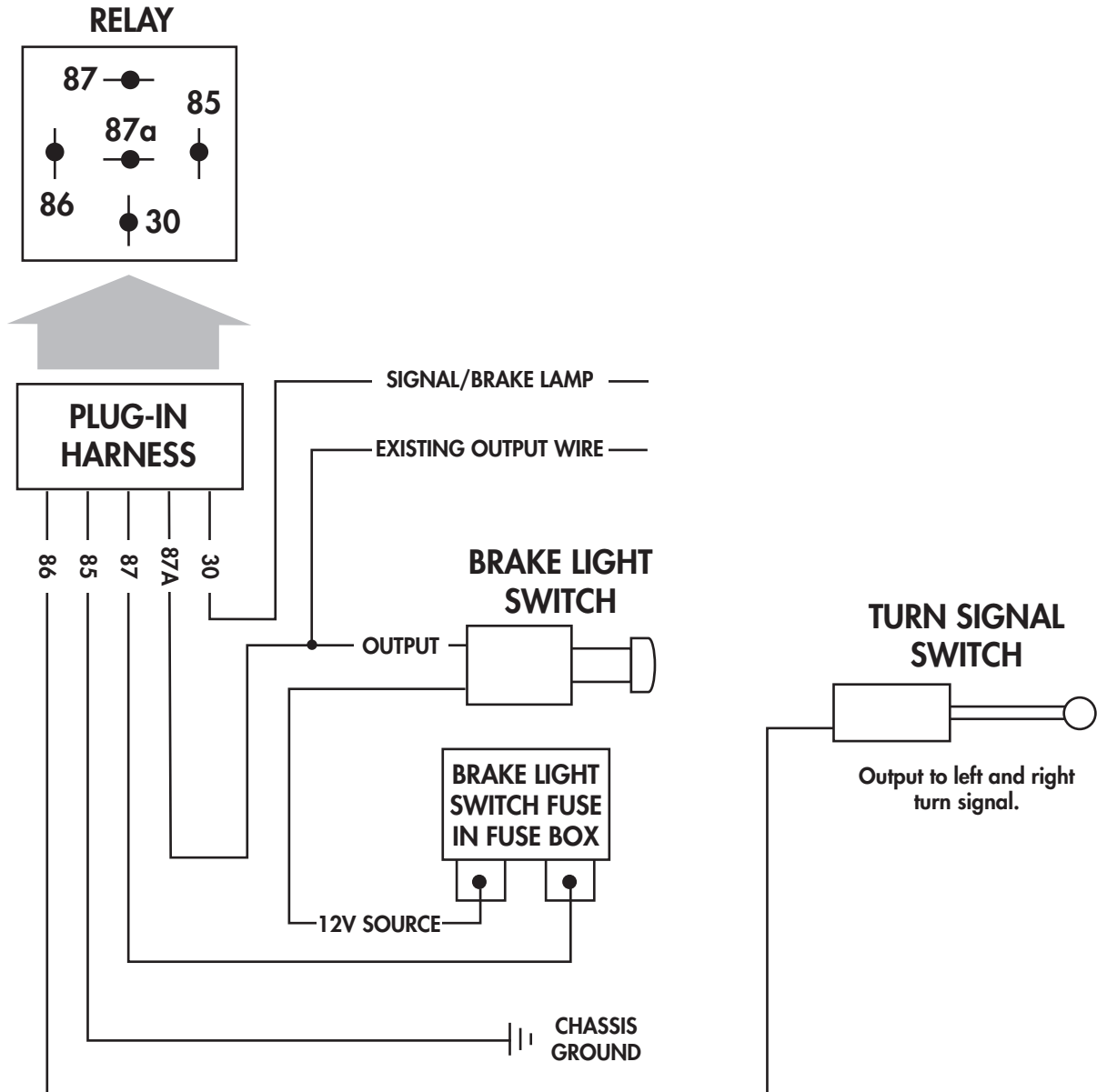


Brake Light Relay Kit

KICHARNBL



IMPORTANT!

The instructions above are referring to a general installation. Your vehicle may vary from the instructions shown in the diagrams. Please test all wires before permanently installing wiring harness kit.