
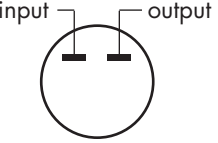

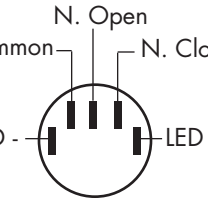

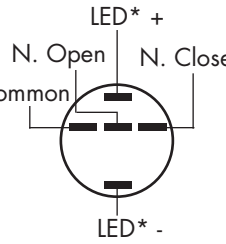

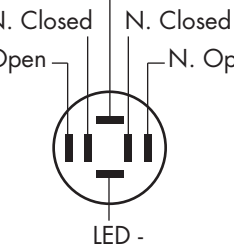


Billet Buttons

SW38-SW49

Illuminated and non-illuminated Buttons, latching and momentary

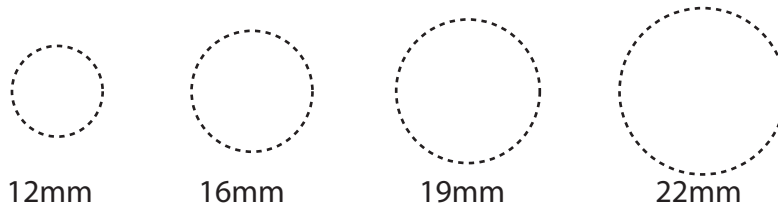
1. Identify the style of connector on your button in the images below.

12mm	16mm	19mm	22mm
 	 	 	 
<p>Part Numbers: KICSWBM12X, SW45</p>	<p>Part Numbers: KICSWBL16**, KICSWBM16**, SW38*, SW39*</p>	<p>Part Numbers: KICSWBL19**, KICSWBM19**, SW42*, SW43*, KICSWBL19X, KICSWBM19X (no illumination)</p>	<p>Part Numbers: KICSWBL22**, KICSWBM22**, SW46*, SW47*</p>

2. Use 'Normally Open' connections to close circuit when button is pressed. Use 'Normally Closed' connections to open circuit when button is pressed.

3. Optionally, L.E.D. can be wired to illuminated upon button activation. Use the button itself to control L.E.D. See button illumination wiring diagram.

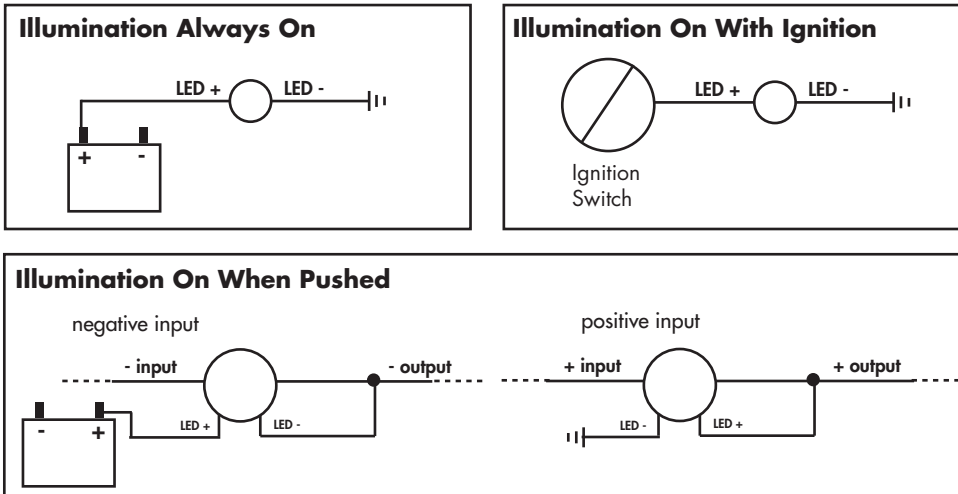
BilletButtons™ hole sizes template:



USER GUIDE AND INSTALLATION MANUAL

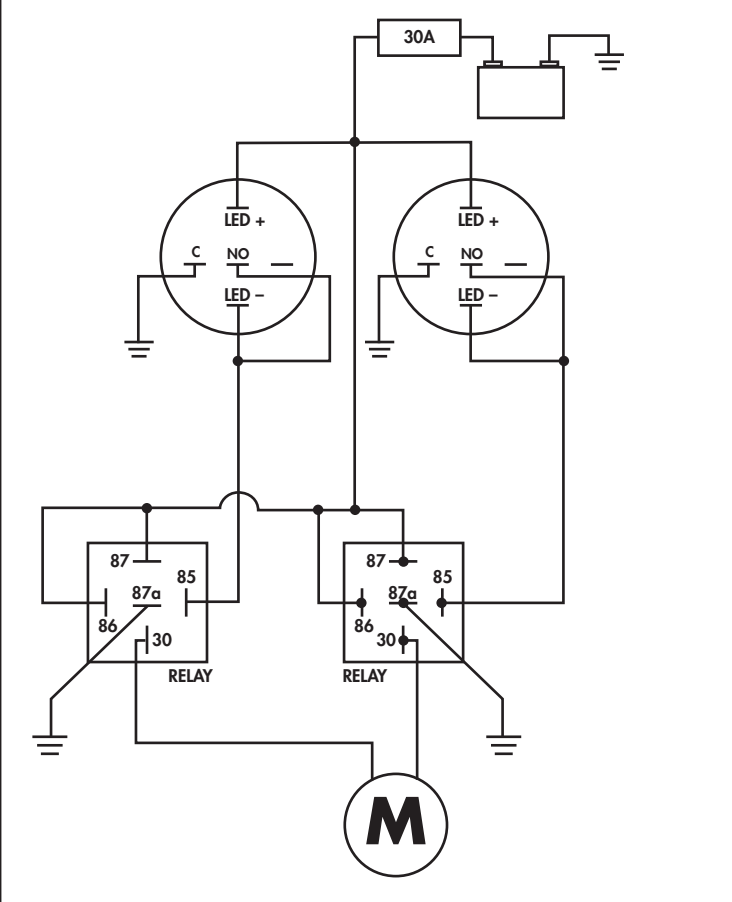
Billet Buttons

Button Illumination Wiring

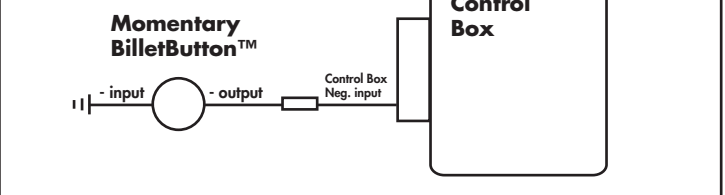


Application Wiring

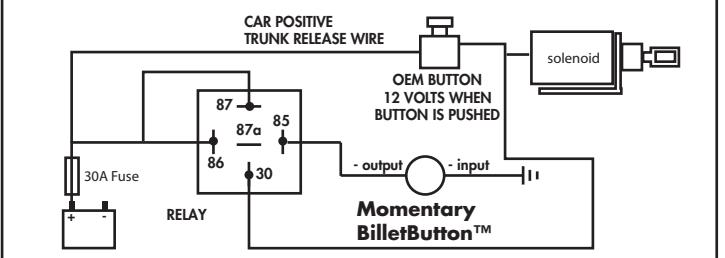
Controlling Motors Power Windows, Sunroof, Linear Actuators, Door Locks



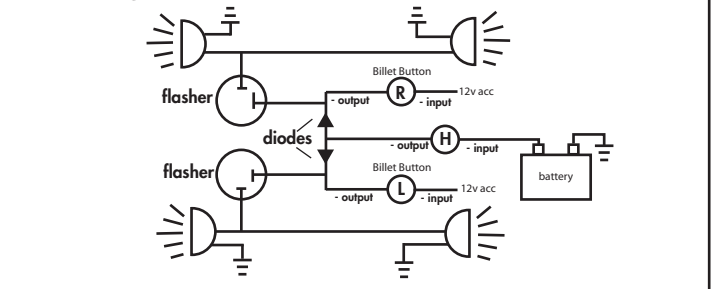
Motor Control Units Air Command, Window Control



Solenoid Control Power Trunk, Shaved Door, Power Bear Claw



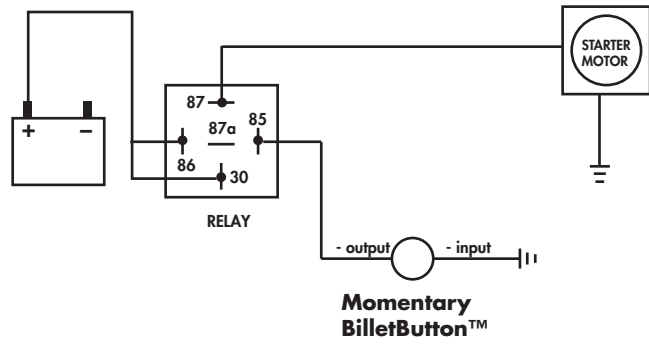
Turn Signals & Hazards



USER GUIDE AND INSTALLATION MANUAL

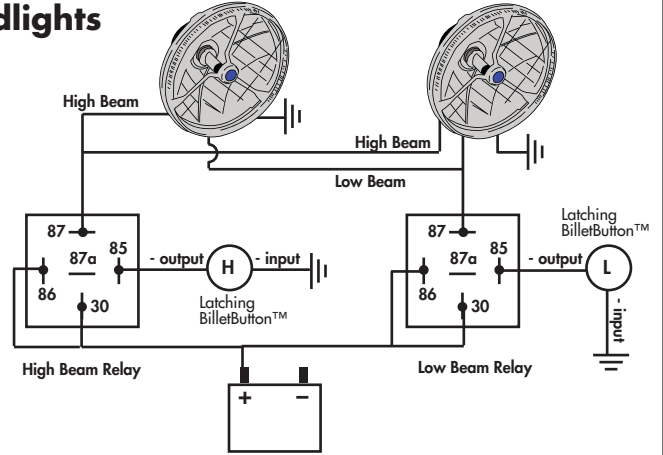
Billet Buttons

Engine Start

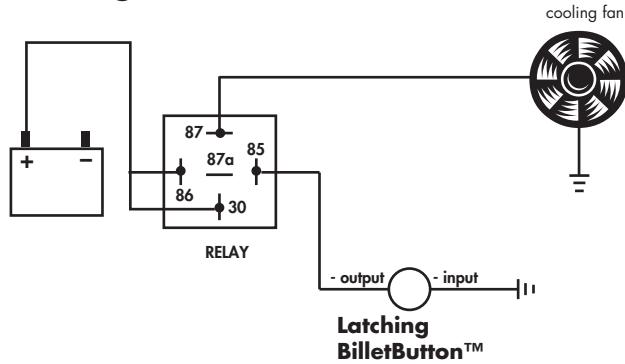


Note: Put key in ignition to unlock column and turn on accessory.

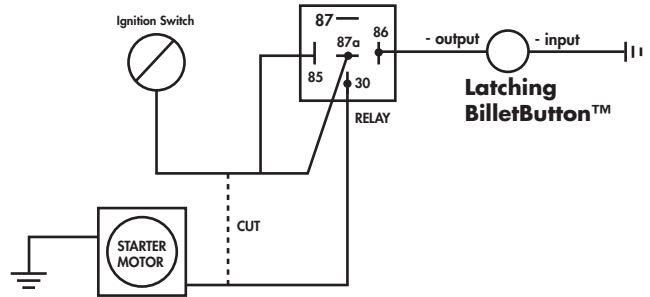
Headlights



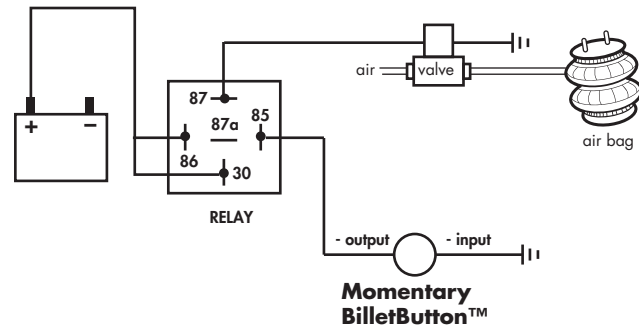
Cooling Fan



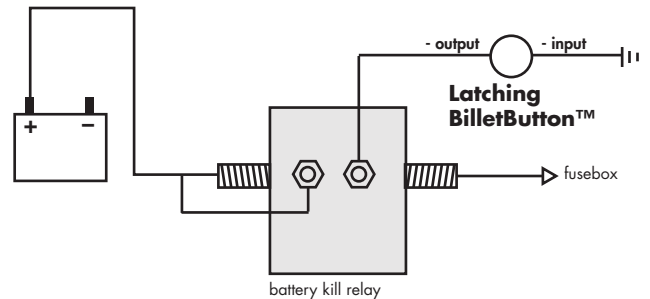
Starter Kill



Airbags



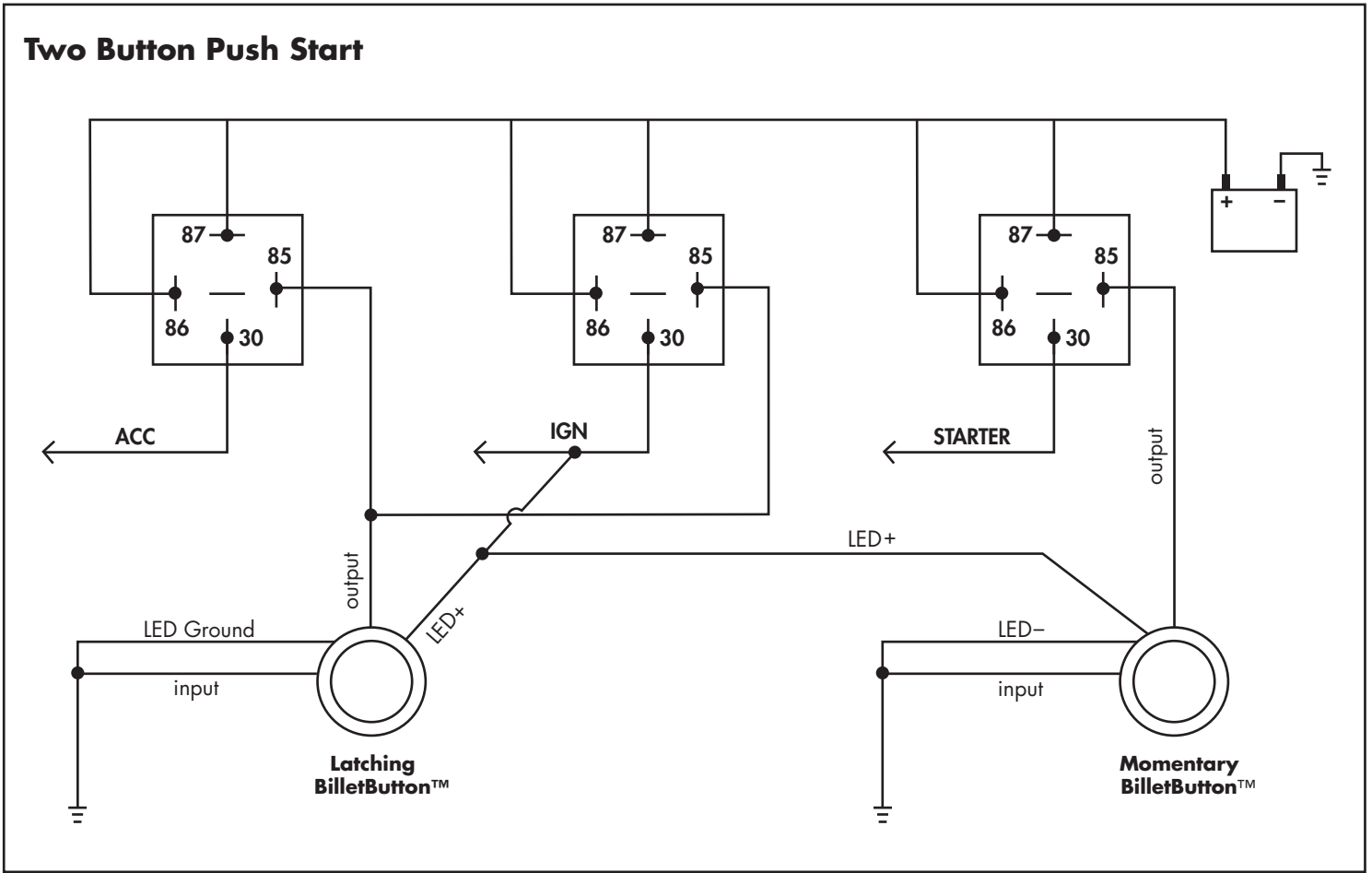
Battery Kill



USER GUIDE AND INSTALLATION MANUAL

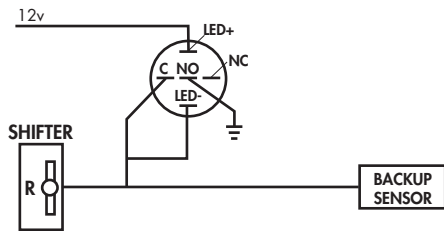
Billet Buttons

Two Button Push Start

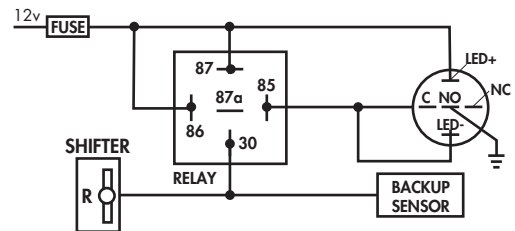


Backup System Override

Negative System



Positive System



*Some of our Billet Buttons have multiple color options. If you wire up your LED and it is the incorrect color, exchange the LED + and LED -, and the color will change.