

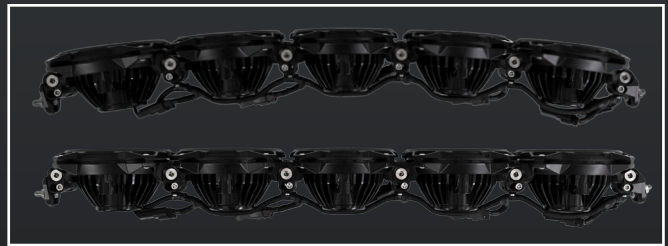
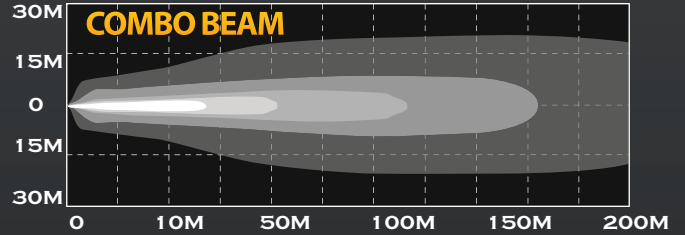


KC HiLITES

PRO6 LED Light Bar



PHOTOMETRICS



≈ Easy Straight to Radius



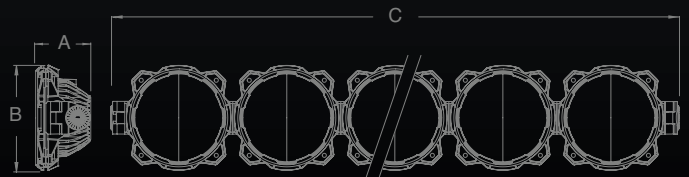
≈ Adjustable Linking System



≈ Turn-Key Install



DIMENSIONS



PRO6 LED Light Bar

FEATURES

Two Models Available:

- **5 Ring LED Light Bar**
Available for Universal #91306, and Polaris RZR #91309
Amp Draw: 8.15A
Candela: TBD
- **8 Ring LED Light Bar**
Available for Universal #91308, Jeep TJ #91312, Jeep JK #91313, and F150/SVT Raptor #91311
Amp Draw: 13.04A
Candela: TBD
- Powered by Gravity® LED G6 optical inserts – efficient, powerful, patented
- Patent-pending Infinity Ring™ system enables the conversion of the Pro6 from straight to radius*
- Signature KC modular design is expandable to different widths
- Multiple G6 beam patterns available – Spot, Driving, Wide-40
- Mounting design easily attaches to KC mounts
- Extremely high output with very low amperage draw
- Includes a deluxe Plug-N-Play wiring harness with 30 amp LED switch

* Patent-pending Infinity Ring™ #14/704,736

KC PRO6 LED Light Bar

Single Light Part #	Model / Description	Beam Pattern	Beam Distance (m)	Watts	Volts	LUX @10m	Lumens	A	B	C
91309	RZR - 5-Ring LED Light Bar	Combo	1,296	100W	9 - 32	4,200	12,260	3.32"	6.0"	32.87"
91306	Universal - 5-Ring LED Light Bar	Combo	1,296	100W	9 - 32	4,200	12,260	3.32"	6.0"	32.87"
91310	Yamaha YXZ - 6-Ring LED Light Bar	Combo	1,435	120W	9 - 32	5,150	14,712	3.32"	6.0"	39.12"
91316	CAN-AM - 6-Ring LED Light Bar	Combo	1,435	120W	9 - 32	5,150	14,712	3.32"	6.0"	39.12"
91312	Jeep TJ - 8-Ring LED Light Bar	Combo	1,637	160W	9 - 32	6,700	19,616	3.32"	6.0"	51.62"
91313	Jeep JK - 8-Ring LED Light Bar	Combo	1,637	160W	9 - 32	6,700	19,616	3.32"	6.0"	51.62"
91308	Universal - 8-Ring LED Light Bar	Combo	1,637	160W	9 - 32	6,700	19,616	3.32"	6.0"	51.62"
91311	F150 - 8-Ring LED Light Bar	Combo	1,637	160W	9 - 32	6,700	19,616	3.32"	6.0"	51.62"



PRO6

PRO6[®] LED LIGHT BAR SYSTEM

The Pro6 LED Light Bar System is engineered to utilize the Gravity[®] LED G6 Optical Inserts, and feature the revolutionary Infinity Ring[™] System - the industry's first adjustable and configurable lighting system.

- Infinity Ring[™] System - Patent Pending Application: 14/704,736
- Powered by Patented Gravity LED G6 Optical Inserts with GRD[™] Technology
- Multiple G6 Optical Insert Beams available: Spot, Spread, & Wide-40[™]
- Maximum Tune-Ability
- High Power & High Efficiency
- Trademark Four-Tab Signature Styling



SAFETY | REGISTRATION | WARRANTY

Liability Disclaimer

KC HiLiTES Inc. takes extreme measures to engineer products with the most advanced features available in the industry and tested under the most extreme conditions - it's through this rigorous process that complementary accessories are tested and developed. KC will not be liable under any circumstances if damages are sustained due to use of unapproved mounting, improper installation and mis-use of the Pro6 LED Light Bar System.



WARNING

The Pro6 LED Light Bar was engineered, designed, and tested using KC approved overhead mounts. KC assumes no responsibility for any damages sustained, due to use of mounting solutions that have not undergone the same testing of KC-Mounting Solutions.

- It is highly recommended that the installation is performed by an Authorized Dealer to ensure proper installation and wiring.
- Please exercise caution during installation. Due to the size and weight of the light system, it is recommended that the installation is performed by at least 2 people.
- Pro6 configurations of 6-Rings (or more) will include a reinforcement bumpstop assembly for added stability and vibration dampening.

PRODUCT REGISTRATION

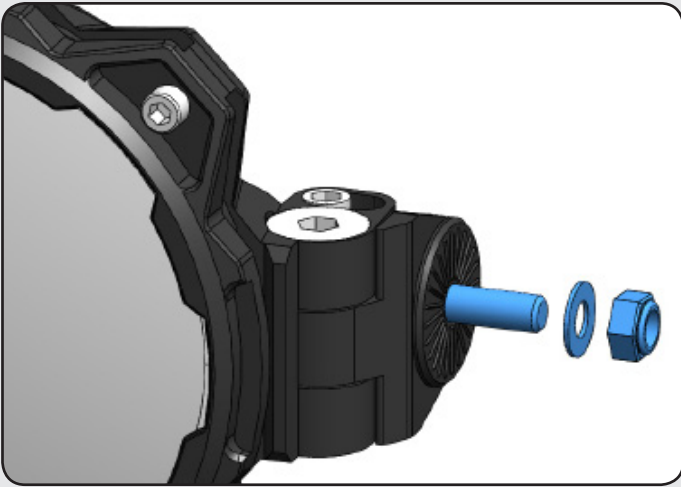
Thank you for becoming part of the KC HiLiTES family and purchasing one of our premium KC products!

- **Receive a unique serial number certifying your purchase**
- **Fast and Easy Returns and Warranties**
- **Special offers and promotions**
- **Exclusive access to industry events**

QUICK START GUIDE

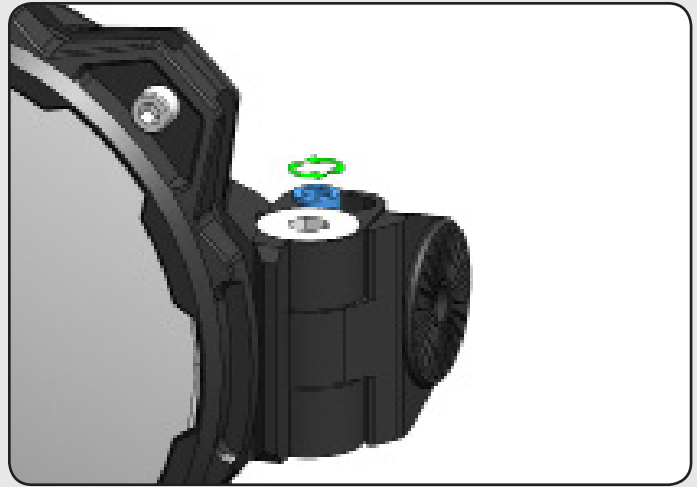
For more in-depth instructions on ALL the Pro6 features:
• Vehicle Specific Configurations • Radius Adjustment • G6 Clocking

1. Remove End Mount Hardware



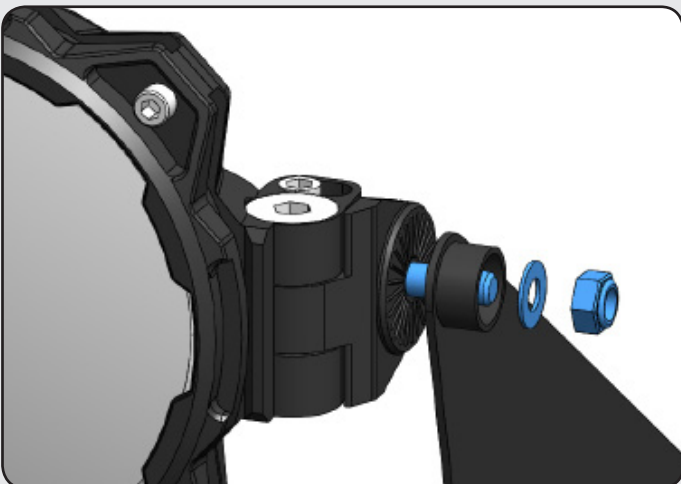
Remove the M8 Mounting hardware from End Mounts on both sides of the bar. This will allow for easier installation on fixed mounting applications.

2. Loosen End Mount Adjustment Screws



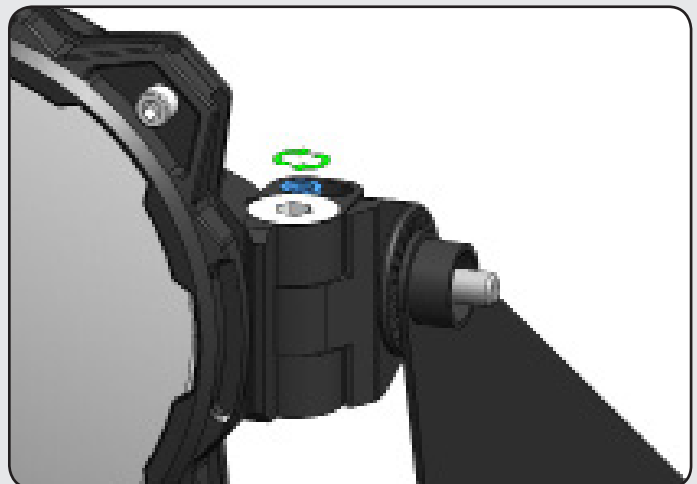
Loosen the M6 Socket-cap Adjustment Screws from End Mounts on both sides of the bar to allow alignment and self-centering.

3. Mounting the Pro6 Light Bar to Vehicle



Safely install the Pro6 by aligning the M8 Hardware on the End Mounts to the Vehicle Mounts. (The ambidextrous design of the mounts allow for the threads to be installed in either direction.)

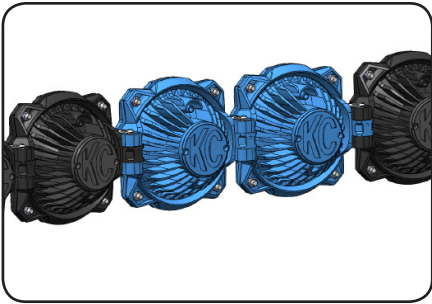
4. Level & Final Tightening Down



Set the final level and pitch of the Pro6: 1) Tighten the M8 Horizontal Mounting Hardware, allowing the Pro6 to center itself. Then, 2) Tighten the M6 End Mount Adjustment Screws to lock light into position.

PRO6 INSTALLATION - BUMP-STOP

INSTALLATION & ADJUSTMENT



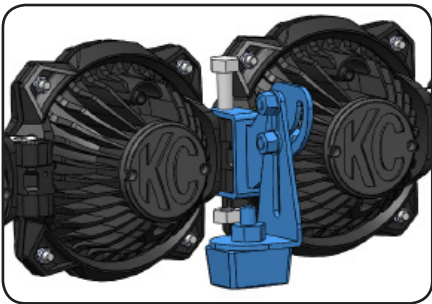
1. Positioning the Bump-stop Assembly

The Bump-stops are anchored on the pivot points between the Pro6 Infinity Ring(s). Make sure to select pivot point that will not interfere any moving parts on the vehicle.



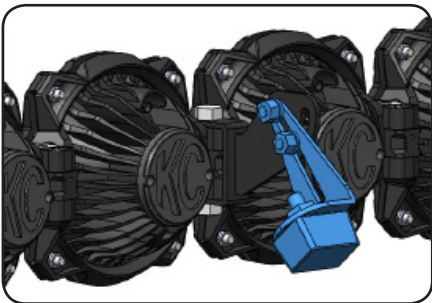
2. Removing Hardware

Once a pivot point has been selected, loosen the M6 adjustment screw (to reduce tension) and remove (only) the custom stainless steel M10 Countersunk Shoulder Bolt.



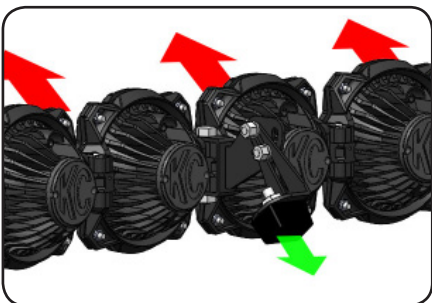
3. Attaching Bump-stop to the Pro6 LED Light Bar

Begin by re-tightening the M6 adjustment screw. Using the supplied M10 shoulder bolt and nyloc nut, firmly attach the Bump-stop Assembly to the Pro6 LED Light Bar.



4. Position Bump-stop Armature

Adjust the position angle of the Bump-stop Armature so that the face of the bushing is mated as flat as possible to the stable surface. The bushing itself can also be loosened and adjusted to help achieve a desired angle.



5. Pre-Load Bar & Final Tightening

Before the final tightening down of the Bump-stop armature, make sure to pre-load the bar to ensure tension is already achieved for maximum stability and vibration dampening. This is accomplished by lifting the bar away from the surface before tightening down the armature.

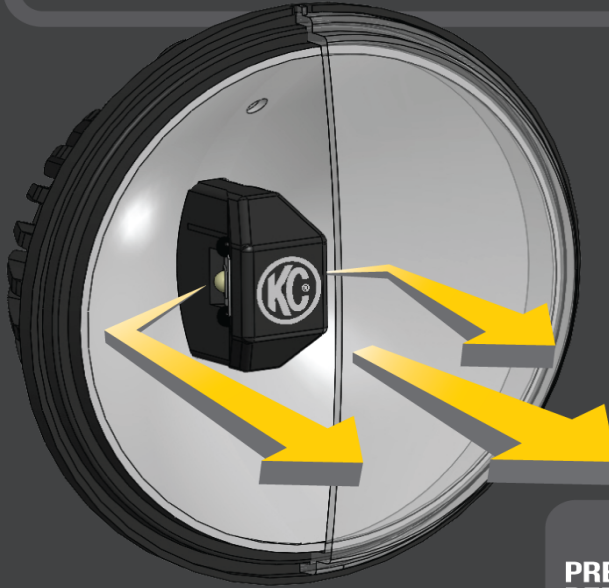
GRD

GRAVITY® REFLECTIVE DIODE



PATENTED GRD LED CORE

The Gravity® Reflective Diode (GRD) CORE™ channels every lumen from the LEDs to a precision optical reflector for maximum light efficacy. Having designed and produced performance-engineered reflector optics for over 45 years, KC developed GRD Technology to capitalize on the full potential of each LED to produce the most efficient Performance LEDs on the market.



PROPRIETARY LED POSITIONING SYSTEM

At the heart of the GRD CORE is a proprietary, multilateral LED-positioning system – A revolutionary design that creates a new dimension to LED lighting technology. Each GRD CORE™ allows for an extremely tailored light beam that is optimized for any application requirement.

PRECISION OPTICAL REFLECTOR

A light is only as good as its optics. By coupling GRD Technology with industry-leading reflector design, both the CORE and precision reflectors are optimized together to maximize the potential of the LEDs.



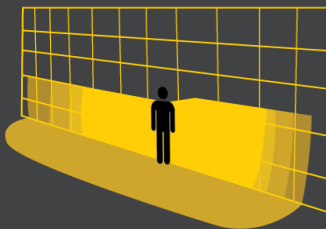
CERTIFIABLE BEAM PATTERNS: SAE/DOT/ECE

Through our GRD Technology, KC's beam patterns can conform to street legal standards. The Gravity® Series LED lights with spot, driving and fog beam patterns - will meet and exceed SAE, DOT, & ECE specifications.



GRD ADVANTAGE

GRAVITY®
GRD



FORWARD
FACING



What is the GRD Advantage?

The goal is to maximize light efficiency by taking advantage of as much light that is emitted from the LED diode. Conventional forward-projecting LEDs have efficiency levels as low as 15%, due to inherent limited beam control - the light is under-utilized or simply undirected. When this same amount of light is paired with our GRD technology, the result is a fully leveraged LED diode with a purposefully controlled beam pattern. The GRD Advantage allows KC to achieve more across: wattage, light output and beam shape.