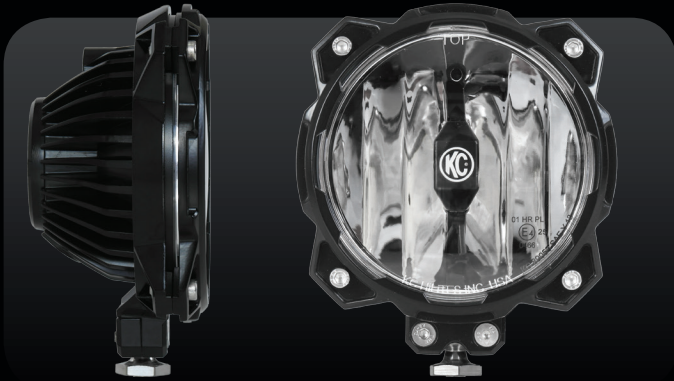




KC HiLITES

Gravity® LED PRO6 Single



Gravity® LED PRO6 Single

FEATURES

Three Models Available:

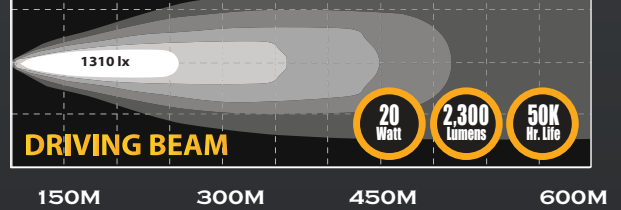
- **Driving Beam - Single #91302, Pair Pack #91303**
Gravity® LED Pro6 Single Driving Beam SAE J581 & ECE-R112 Street Legal
- **Spot Beam - Single #91300, Pair Pack #91301** Gravity® LED Pro6 Single Mount Spot Beam
- **Wide - 40 Beam - Single #91304, Pair Pack #91305** Gravity® LED Pro6 Single Mount Wide-40 Beam
- Powered by Gravity® LED G6 optical inserts – efficient, powerful, patented
- Ready to mount to any flat mounting surface with a highly adjustable ball mount
- Multiple G6 beam patterns available – Spot, Driving, Wide-40
- Amp Draw: 1.63A
- Extremely high output with very low amperage draw
- Pair Packs include a deluxe Plug-N-Play wiring harness with 30 amp LED switch



PHOTOMETRICS

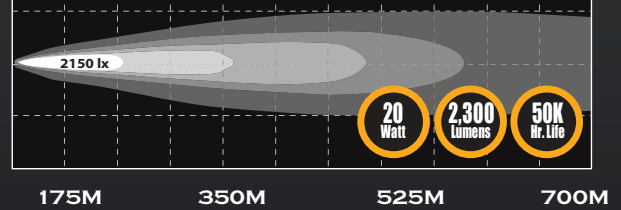
Total beam distance with 0.25 Lux - 724m

SAE/ECE CERTIFIED STREET LEGAL



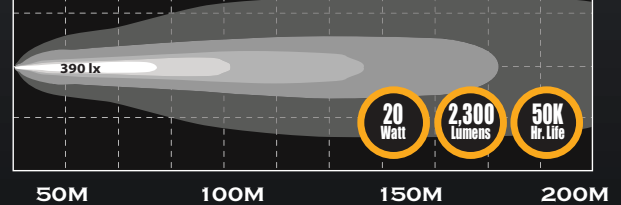
Total beam distance with 0.25 Lux - 927m

SPOT BEAM

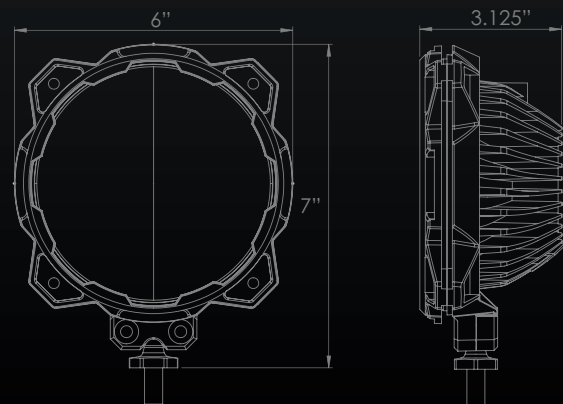


Total beam distance with 0.25 Lux - 395m

WIDE - 40



DIMENSIONS



KC Gravity® LED PRO6 Single

Pair Pack Part #	Single Light Part #	Model / Description	Beam Pattern	Beam Distance (m)	Watts	Volts	Candela	Lumens	LUX @10m	Width	Height	Depth
91303	91302	Gravity LED PRO6 Single	Driving	724	20	9 - 32	131,100	2,300	1,310	6.0"	7.0"	3.125"
91301	91300	Gravity LED PRO6 Single	Spot	972	20	9 - 32	215,000	2,300	2,150	6.0"	7.0"	3.125"
91305	91304	Gravity LED PRO6 Single	Wide - 40	395	20	9 - 32	39,000	2,300	390	6.0"	7.0"	3.125"

GRD

GRAVITY® REFLECTIVE DIODE



PATENTED GRD LED CORE

The Gravity® Reflective Diode (GRD) CORE™ channels every lumen from the LEDs to a precision optical reflector for maximum light efficacy. Having designed and produced **performance-engineered reflector optics** for over **45 years**, KC developed GRD Technology to capitalize on the full potential of each LED to produce the **most efficient** Performance LEDs on the market.



PROPRIETARY LED POSITIONING SYSTEM

At the heart of the GRD CORE is a proprietary, multilateral LED-positioning system – A revolutionary design that creates a new dimension to LED lighting technology. Each GRD CORE™ allows for an extremely **tailored** light beam that is **optimized** for any application requirement.



CERTIFIABLE BEAM PATTERNS: SAE/DOT/ECE

Through our GRD Technology, KC's beam patterns can conform to **street legal standards**. The Gravity® Series LED lights with spot, driving and fog beam patterns - will **meet and exceed** SAE, DOT, & ECE specifications.

PRECISION OPTICAL REFLECTOR

A light is only as good as its optics. By coupling GRD Technology with industry-leading **reflector design**, both the CORE and precision reflectors are optimized together to **maximize** the potential of the LEDs.



GRD ADVANTAGE

GRAVITY®
GRD

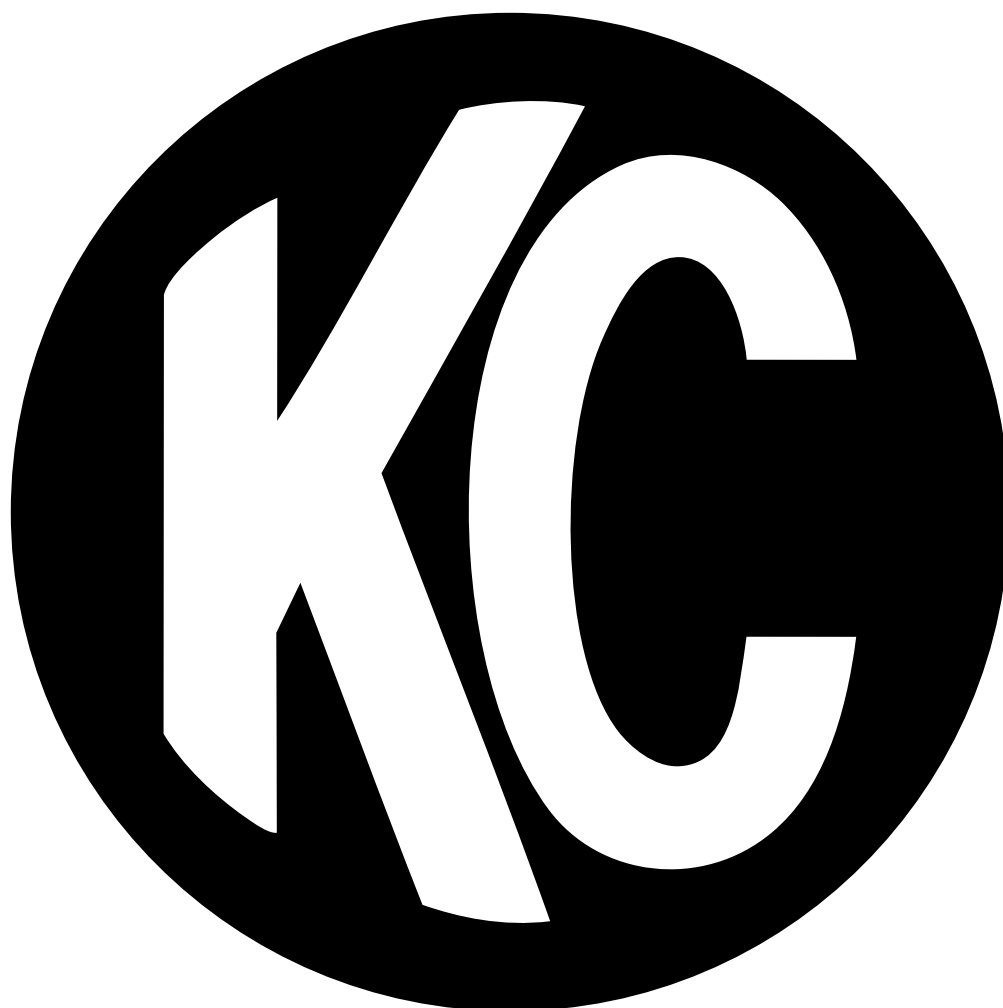


FORWARD
FACING



What is the GRD Advantage?

The goal is to **maximize** light efficiency by taking advantage of as much light that is emitted from the LED diode. Conventional forward-projecting LEDs have efficiency levels as low as **15%**, due to inherent limited beam control - the light is **under-utilized** or simply **undirected**. When this same amount of light is paired with our GRD technology, the result is a fully leveraged LED diode with a purposefully **controlled** beam pattern. The GRD Advantage allows KC to **achieve more** across: wattage, light output and beam shape.



Size of decal 5.2"

Find out more about off-road lights we have.