

### 50" XROSS BAR OVERHEAD LIGHT MOUNT

## 7418 - 50" XROSS BAR OVERHEAD MOUNTING SYSTEM

The X-Bar™ will take the place of any 50" light bar. It is made from 6063-T6 extruded aluminum. The Xross Bar has the ability to fit a variety of different brackets. The KC Xross Bar measures 51.375" in length, allowing it to fit where most standard 50" LED light bars are generally used for overhead vehicle applications.

**WARNING:** Please read all instructions before beginning installation. These guidelines are provided in good faith to help prevent any issues arising from errors during installation. The manufacturer of this product shall not be held responsible for any user actions taken or not taken during installation. There are many details of the installation that are assumed to be general mechanical knowledge to experienced installers; which are not detailed in these instructions. These installation guidelines are intended to serve as professional recommendations and are not as a step-by-step, fail-safe installation checklist. Selection of an experienced installer is the sole responsibility of the project owner.



\* Xross Bar shown with Gravity Pro-Sport LEDs and Classic Daylighter Smiley Covers



\* Xross Bar shown with Gravity Pro-Sport

### Parts Included:

(1) 7418 OVERHEAD LIGHT BAR MOUNT (LIGHTS SOLD SEPARATELY)

### TOOLS NEEDED FOR INSTALLATION

During this installation you will need a 13mm wrench or socket and also a #2 phillips head screw driver.

13mm Wrench

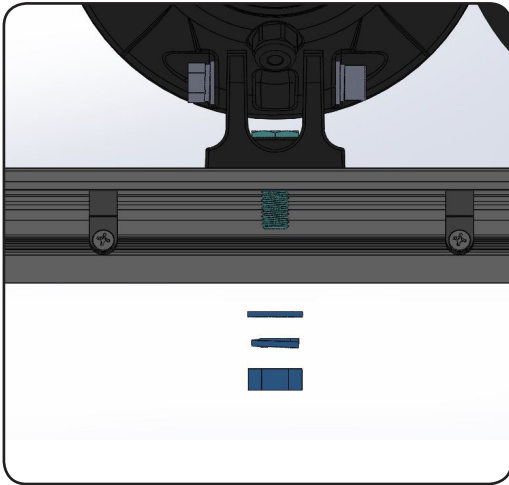


#2 Phillips Screw Driver



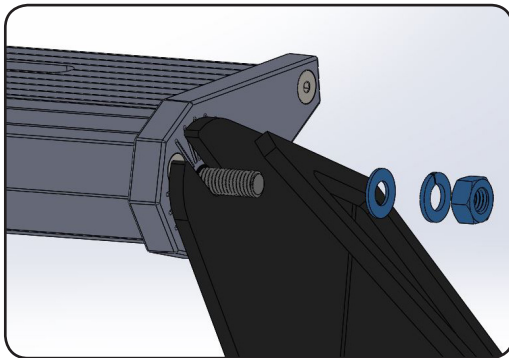
# XROSS BAR OVERHEAD LIGHT BAR MOUNT INSTALLATION

## INSTALLATION INSTRUCTIONS



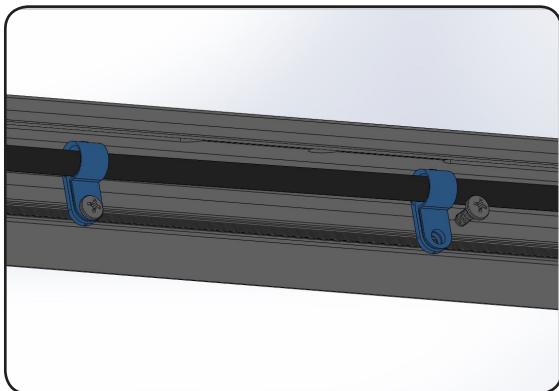
### 1. Mount the Lights

Before installing the Xross Bar on your vehicle use the correct size wrench to remove the lights base mounting hardware. Leave the mounting bolt in place. Install the lights onto the bar at the desired mounting locations. Tighten the base mounting hardware until the spring washer is fully compressed. Then tighten to 10ft\*lbs of torque or as tight as is necessary to prevent movement. If the desired spacing is not available with the pre-defined positions drilling will be necessary. There is a small v-groove on the underside, of the bar to center the drill bit on the mounting surface



### 2. Install the Xross Bar

Remove the end mounting hardware. Leave the mounting bolt in place. The rubber retainer o-ring will keep the bolt from falling through the end cap. Install the light bar onto your pre-installed 50" light bar mounting brackets. When installing the light bar brackets refer to the bracket's instructions. Each vehicle will be different.



### 3. Wire Management.

The Xross Bar comes with pre-installed wire mangement. There are 10 "R-clips" that can be used to hold and organize the wires. To utilize the R-clips, remove the phillips head screw installed in the horizontal thread channel. Open the R-clip and place the wire through the round section. Thread and tighten the Phillips head screw back into the horizontal thread channel. Repeat this process for all of the wires/ R-clips.

Stand back and enjoy your new light bar.

4

3

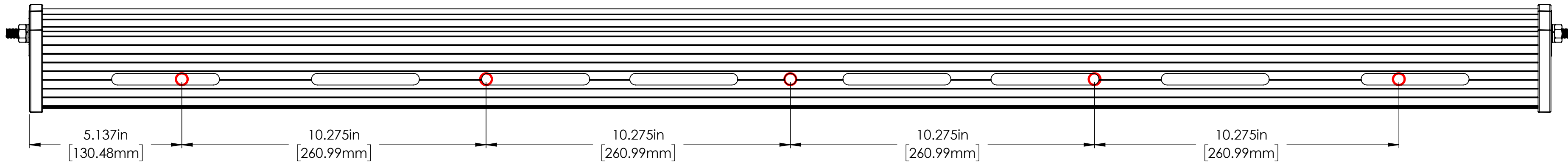
2

1

D

5 LIGHTS

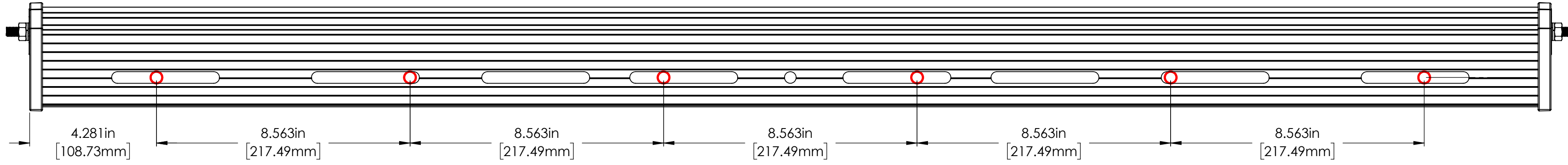
D



C

6 LIGHTS

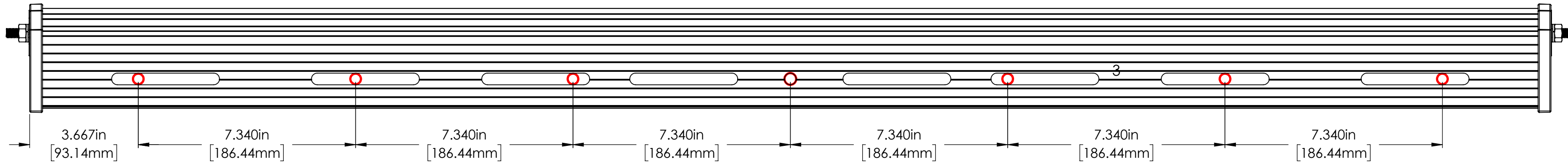
C



B

7 LIGHTS

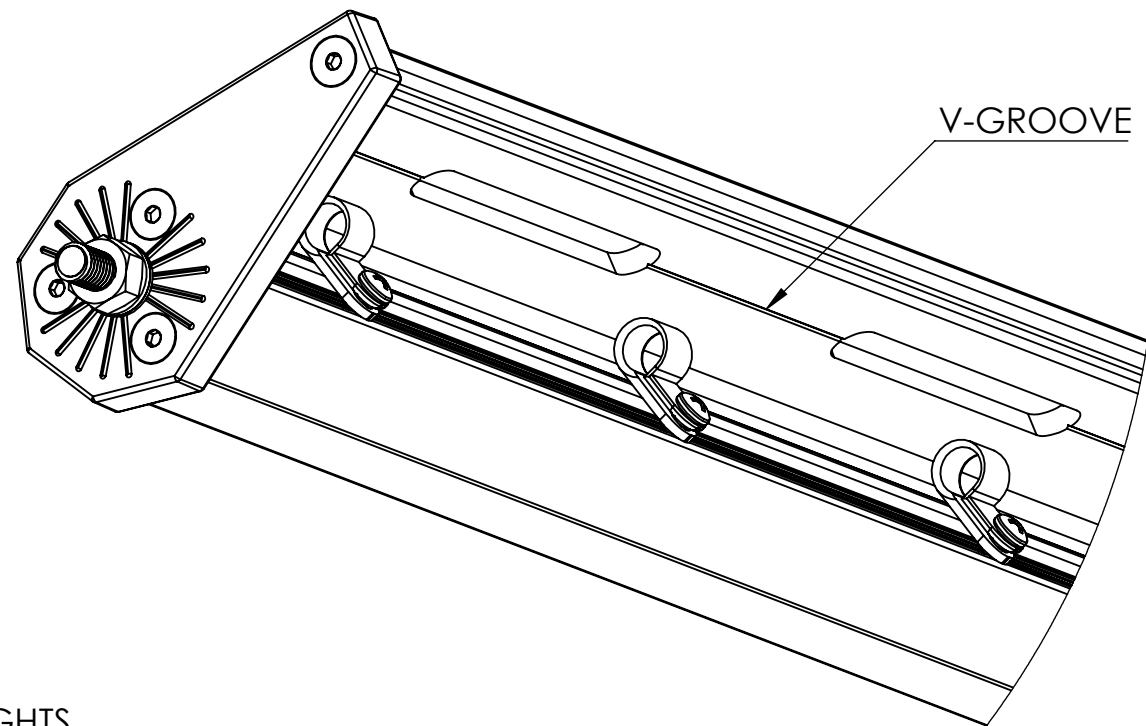
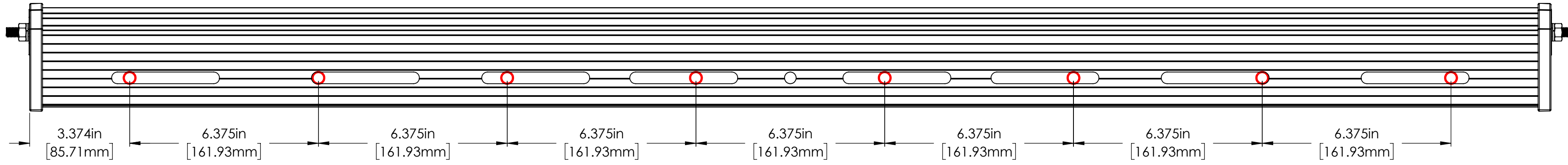
B



A

8 LIGHTS

A



DESCRIPTION:  
CROSS BAR MOUNTING  
LOCATIONS 5 LIGHT  
THROUGH 8 LIGHT

SCALE: NOT TO SCALE  
REV 1.0

1. RED CIRCLES SHOW PLACEMENT OF LIGHTS.
2. MEANT TO BE USED AS A GUIDE LINE.

4

3

2

1